


**rocada**

**50** 

**YEARS**

ENG  
2026

# CABINS

## **Your perfect space to focus.**

Designed to offer privacy and concentration in any shared environment, our booths combine efficient insulation, silent ventilation and carefully designed lighting. The result: a comfortable, elegant space ready for video calls, brief meetings or intensive work.



# ROME

The ROME collection was created to offer much more than silence: it brings character, elegance and a design that elevates any professional space. Each booth in the collection combines minimalist aesthetics with high-performance acoustic insulation, creating places where meetings flow, ideas are focused and productivity intensifies. With premium materials, integrated lighting and

silent ventilation, ROME guarantees a comfortable, modern experience fully oriented to today's way of working. Its sober and balanced design adapts to open offices, coworking spaces and corporate environments seeking privacy without compromising image.



## ROME100 - INDIVIDUAL ACOUSTIC BOOTHS

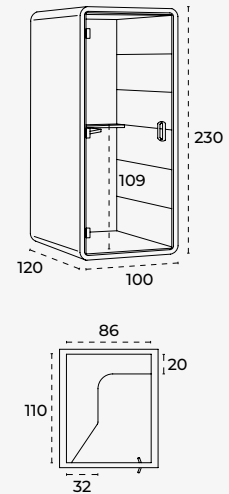


Individual work for global solutions. Carry out all kinds of individual tasks or hold phone calls, videoconferences, etc., without distractions and with maximum concentration.

The acoustic booths of the ROME series are composed of an internal metal structure and external panels made of carbon fibre mixed with high-resistance, lightweight polymer resins. Interior lining of the acoustic panels with upholstered finishes (100% polyester fabrics). Lower floor covering in high-resistance carpet.

Optional high work table (MDF or melamine depending on model).

Dimensions (cm)



Ref.	Description	Qty.	cm (surface)	cm (product)
● ROME100-9003-XX	ROME100 single acoustic booth, combined structure / PET panels	1	-	100 x 230 x 120
ROME101-1000-04	Fixed work table for ROME100 single booth	1	86 x 110	86 x 110 x 2,5

● IMPORTANT NOTE: Add the corresponding table to complete your ROME booth order.

### UPHOLSTERED FINISHES L



### TABLE FINISHES



## ROME200 - DOUBLE ACOUSTIC BOOTHS

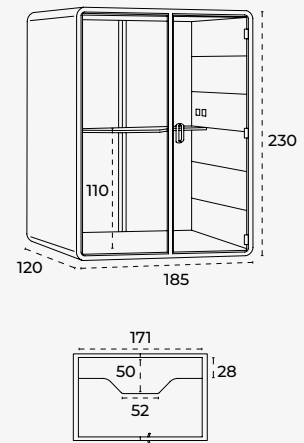


Ideal for quick meetings, teleworking, videoconferences. Ideal for tasks requiring direct communication between two people.

The acoustic booths of the ROME series are composed of an internal metal structure and external panels made of carbon fibre mixed with high-resistance, lightweight polymer resins. Interior lining of the acoustic panels with upholstered finishes (100% polyester fabrics). Lower floor covering in high-resistance carpet.

Optional high work table (MDF or melamine depending on model).

Dimensions (cm)



Ref.	Description	Qty.	cm (surface)	cm (product)
● ROME200-9003-XX	ROME200 double acoustic booth, combined structure / PET panels	1	-	185 x 230 x 120
ROME201-1000-04	Fixed work table for ROME200 double booth	1	171 x 50	171 x 50 x 2,5

● IMPORTANT NOTE: Add the corresponding table to complete your ROME booth order.

### UPHOLSTERED FINISHES L



### TABLE FINISHES



! = Finishes on request

Dimensions = width x height x depth (cm)

## ROME600 - ACOUSTIC BOOTHS MAX. 6 PEOPLE

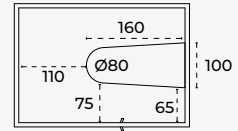
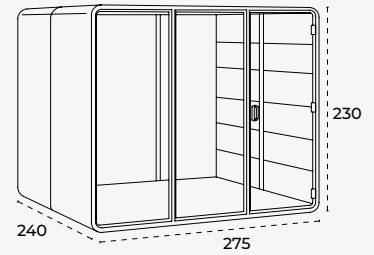


The possibilities of group acoustic booths create an ideal environment for teamwork, client meetings, supplier visits..., where confidentiality and collaboration must be at their highest without interruptions.

ROME series acoustic booths consist of an internal metal structure and external panels made of carbon fiber blended with high-strength, lightweight polymer resins. Interior of acoustic panels upholstered (100% polyester fabric). Floor base covered with high-resistance carpet.

Optional high worktable (MDF or melamine depending on model).

Dimensions (cm)



Ref.	Description	Qty.	cm (surface)	cm (product)
● ROME600-9003-XX	ROME600 acoustic meeting booth, combined structure / PET panels	1	-	275 x 230 x 240
ROME601-1000-04	Fixed worktable for 6-person ROME600 booth	1	160 x 100	160 x 100 x 2,5

● IMPORTANT NOTE: Add the corresponding table to complete your ROME booth order.

### UPHOLSTERED FINISHES L

### TABLE FINISHES



## SOFT SEATING OSLO FOR ROME ACOUSTIC BOOTHS

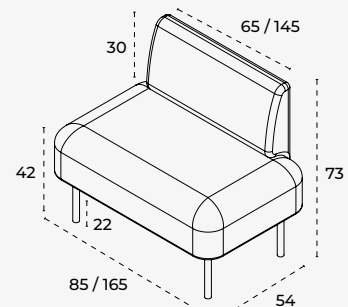


The OSLO series modules are designed to offer maximum comfort in small spaces. Its elegant style and soft lines make it the perfect choice for integrating into ROME series acoustic booths. Ideal for quick meetings or focused moments in collaborative environments.

### UPHOLSTERY T



Dimensions (cm)

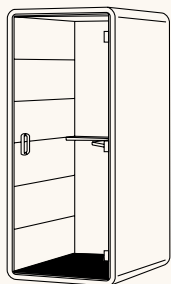


Ref.	Description	Qty.	cm (product)
OSLO-A026040000T	Rectangular module / full back OSLO-A	1	85 x 73 x 54
OSLO-B026040000T	Rectangular module / full back OSLO-B	1	165 x 73 x 54

## ACCESSORIES TO COMBINE WITH ACOUSTIC BOOTHS



x 1



Combinable with our ERGOLINE stools:



**926-4**

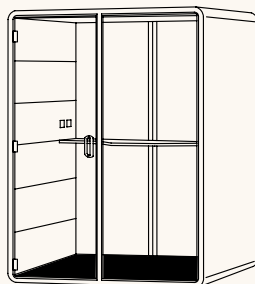


**927-4**

The individual booth is highly useful for private use, therefore we recommend complementing it with stools for maximum comfort.



x 2



Combinable with our ERGOLINE stools:



**926-4**

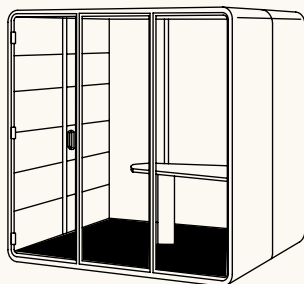


**927-4**

The double booth allows meetings between two professionals, achieving total privacy. To create a more comfortable and quieter space, we propose the following accessories.



x 4 / x 6



Combinable with our stools, chairs and office furniture:



**926-4**



**927-4**



**908W-4**



**3005ATW08**

The possibilities of acoustic booths for groups allow the use of multiple auxiliary elements.



# ACOUSTIC

## **The perfect balance between silence and well-being.**

Designed to improve acoustic quality in any shared space, the ACOUSTIC collection brings together solutions that combine efficient sound absorption, high-performance materials and an elegant design that blends harmoniously with any environment. Panels, screens and sound-reducing elements work together to create calmer, more comfortable and people-centered spaces. The result is an immediate improvement in well-being and productivity: less noise, greater concentration and spaces ready for meetings, creativity or intensive work without distractions.

Turn soundproofing into a visual experience inspired by vegetation. Its panels, with leaf shapes and organic silhouettes, combine high acoustic performance with a design that brings warmth, freshness and serenity to any modern environment.



# FOREST

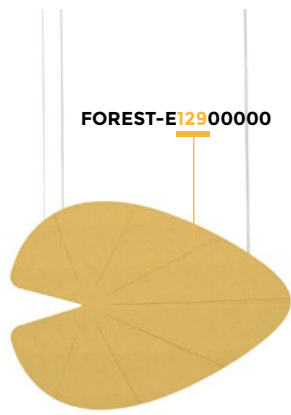
Turn soundproofing into a visual experience inspired by vegetation. Its panels, with leaf shapes and organic silhouettes, combine high acoustic performance with a design that brings warmth, freshness and serenity to any modern environment.

Designed for offices, meeting areas and creative spaces, the collection softens noise, reduces reverberation and creates more balanced, healthy and pleasant atmospheres. FOREST not only improves acoustic comfort: it introduces a natural touch that transforms the space without sacrificing functionality or aesthetics.

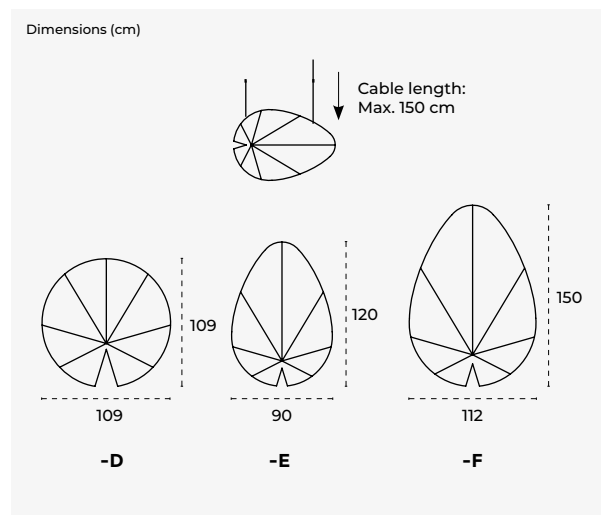
PHONON



## FOREST VERTICAL CEILING ACOUSTIC PANELS



Organic-shaped acoustic panels bring softness and harmony to any space. Their rounded shapes not only enhance aesthetics but also optimize sound absorption to create more comfortable and functional environments. Vertically positioned models, suspended from the ceiling, are ideal for dividing areas and creating a sense of height, providing privacy without losing visual spaciousness.



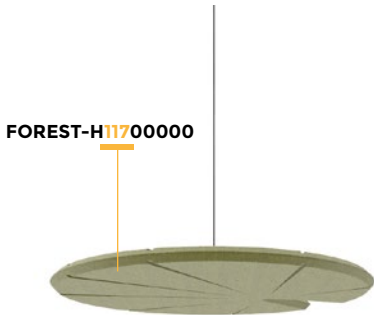
Ref.	Description	Qty.	cm (surface)	cm (product)
● <b>FOREST-DXXX00000</b>	FOREST-D vertical ceiling acoustic panel	1	109 x 109	109 x 109 x 2
● <b>FOREST-EXXX00000</b>	FOREST-E vertical ceiling acoustic panel	1	90 x 120	90 x 120 x 2
● <b>FOREST-FXXX00000</b>	FOREST-F vertical ceiling acoustic panel	1	112 x 150	112 x 150 x 2

● Panels include 1.5m cables as standard.

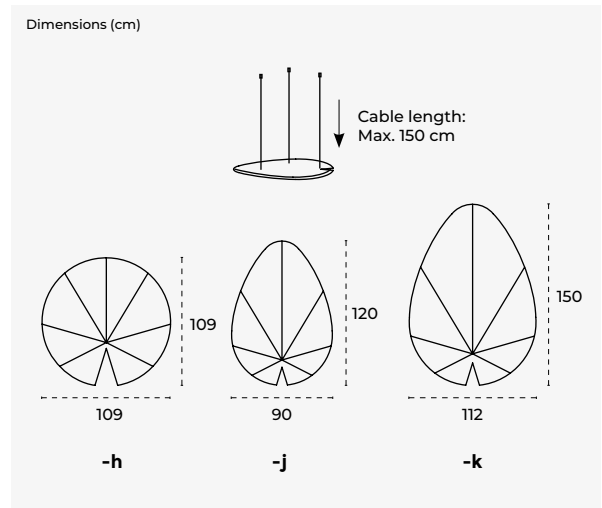
### PET ACOUSTIC FINISHES



## FOREST HORIZONTAL CEILING ACOUSTIC PANELS



Organic-shaped acoustic panels bring softness and harmony to any space. Their rounded shapes not only enhance aesthetics but also optimize sound absorption to create more comfortable and functional environments. Horizontally positioned models are installed on the ceiling to control reverberation and improve overall acoustics, making them the perfect solution for open spaces and collaborative zones.



Ref.	Description	Qty.	cm (surface)	cm (product)
● <b>FOREST-HXXX00000</b>	FOREST-H horizontal ceiling acoustic panel	1	109 x 109	109 x 109 x 2
● <b>FOREST-JXXX00000</b>	FOREST-J horizontal ceiling acoustic panel	1	90 x 120	90 x 120 x 2
● <b>FOREST-KXXX00000</b>	FOREST-K horizontal ceiling acoustic panel	1	112 x 150	112 x 150 x 2

● Panels include 1.5m cables as standard.

### PET ACOUSTIC FINISHES



! = Finishes on request

Dimensions = width x height x depth (cm)

# DEXA

DEXA transforms acoustic comfort into visual purity. Its rectangular wall panels stand out for a sober and balanced geometry, capable of integrating elegantly into any contemporary space. With clean lines and harmonious proportions, they provide order, depth and a visual presence that conveys serenity. Designed

for offices, meeting rooms, educational environments or creative spaces, they offer excellent acoustic performance: they minimize background noise, reduce reverberation and improve sound clarity, creating healthier and more pleasant environments for working or collaborating.

PHONON



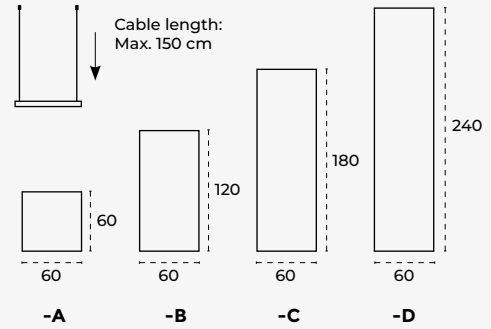
## DEXA 1-COLOR WALL AND CEILING ACOUSTIC PANELS

DEXA-D00104000T



The DEXA family redefines acoustics with square panels featuring versatile and elegant design. Designed to improve sound comfort, they can be installed on walls or ceilings, adapting to any space. Thanks to different sizes and finishes, DEXA allows creating unique compositions combining functionality and aesthetics.

Dimensions (cm)



Ref.	Description	Qty.	cm (surface)	cm (product)
● DEXA-AXXX04000T	DEXA-A 1-color wall and ceiling acoustic panel	1	60 x 60	60 x 60 x 5
● DEXA-BXXX04000T	DEXA-B 1-color wall and ceiling acoustic panel	1	60 x 120	60 x 120 x 5
● DEXA-CXXX04000T	DEXA-C 1-color wall and ceiling acoustic panel	1	60 x 180	60 x 180 x 5
● DEXA-DXXX04000T	DEXA-D 1-color wall and ceiling acoustic panel	1	60 x 240	60 x 240 x 5

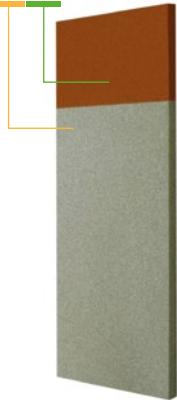
● Panels include 1.5m cables as standard.

### UPHOLSTERED FINISHES T



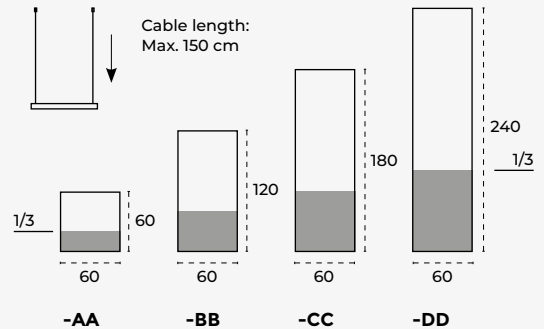
## ACOUSTIC PANELS FOR WALL AND CEILING BICOLOR DEXA

DEXA-DD00100600T



The DEXA family redefines acoustics with square panels of versatile and elegant design. Designed to improve sound comfort, they can be installed on both walls and ceilings, adapting to any space. Additionally, the possibility of combining two colors in a single module gives each project its own personality, creating spaces with character and distinctive design.

Dimensions (cm)



Ref.	Description	Qty.	cm (surface)	cm (product)
● DEXA-AAXXX00T	Acoustic wall and ceiling bicolor panel DEXA-AA	1	60 x 60	60 x 60 x 5
● DEXA-BBXXX00T	Acoustic wall and ceiling bicolor panel DEXA-BB	1	60 x 120	60 x 120 x 5
● DEXA-CCXXX00T	Acoustic wall and ceiling bicolor panel DEXA-CC	1	60 x 180	60 x 180 x 5
● DEXA-DDXXX00T	Acoustic wall and ceiling bicolor panel DEXA-DD	1	60 x 240	60 x 240 x 5

● Panels include 1.5m cables as standard.

### UPHOLSTERED FINISHES T



! = Finishes on request

Dimensions = width x height x depth (cm)

# LOMA

Wood slatted panels offer an acoustic solution that combines warmth and style. Their vertical slats create an elegant visual effect while improving sound absorption and reducing reverberation. They add texture, depth and

a natural touch that fits perfectly into offices, creative spaces or contemporary interiors. A versatile and aesthetic option to enhance comfort and the personality of any environment.

PHONON



# LOMA SLATTED ACOUSTIC PANELS FOR WALL APPLICATION

LOMA-60240407000



Transform walls into acoustic solutions. Panels made of a 9 mm thick PET board and rectangular MDF slats combine design and functionality. Thanks to their modular system, they adapt to the size you need, providing exceptional acoustics for environments such as offices and collaborative areas.

### PET WOOD FINISHES

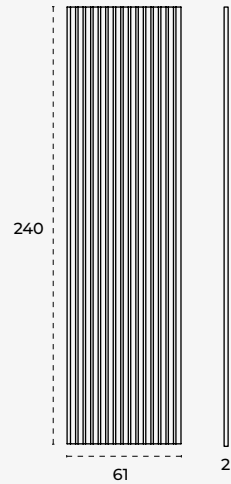


70 Wood slats



71 Dark wood slats

Dimensions (cm)



Ref.	Description	Qty.	cm (surface)	cm (product)
LOMA-6024040XX00	Wall acoustic slatted panel LOMA - wooden slats	1	61 x 240	61 x 240 x 2

● Mounting hardware not included. SkinBITS accessories (Ref: SK15-A / SK15-B / SK15-C) compatible with LOMA wall slatted acoustic panels. See accessories on page 99 of the price list.



Skin BITS coat hook accessory  
Ref: SK15-A



Metal panel accessory suitable for magnets Skin BITS  
Ref: SK15-B



Skin BITS tray accessory  
Ref: SK15-C

See Skin BITS accessories on page 99



# SOFT SEATING

**Comfort that transforms every space.**

The SOFT SEATING collection offers modular sofas designed to create comfortable and versatile spaces in any shared environment. With high-quality materials and elegant design, these pieces bring warmth and functionality, enhancing concentration, productivity and well-being in every meeting or work moment.



SOFT SEATING

# VOLGA

VOLGA transforms modular sofas into versatile solutions of comfort and style. Its modules, available in different finishes and shapes, allow compositions adapted to any need, combining ergonomics, functionality and modern design that adds dynamism and personality.

Designed for offices, lounge areas, collaborative spaces and informal corners. It creates welcoming, balanced and visually appealing environments. In short, the VOLGA collection is synonymous with modularity, comfort and style.



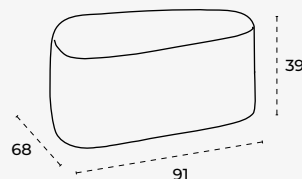
## VOLGA-A MODULES

VOLGA-A00100000T



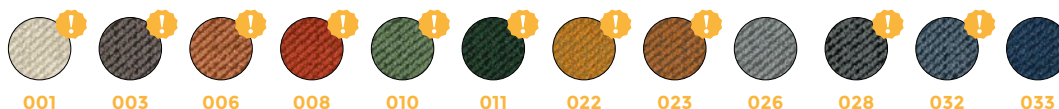
The backless triangular module from the VOLGA series adds dynamism and versatility to any space. Its compact and organic design allows creating unique compositions in waiting areas, collaborative zones, or informal corners, combining comfort, style, and functionality.

Dimensions (cm)



Ref.	Description	Qty.	cm (product)
VOLGA-AXXX00000T	Triangular module VOLGA-A	1	91 x 39 x 68

### UPHOLSTERED FINISHES T



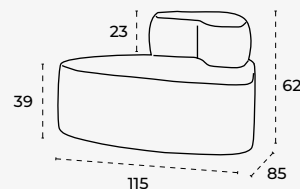
## VOLGA-B MODULES

VOLGA-B00100000T



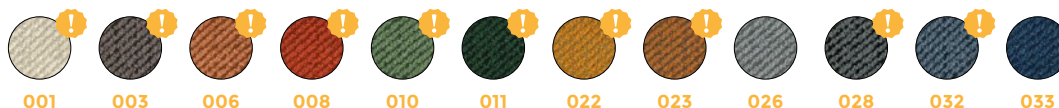
The triangular module with back from the VOLGA series combines organic design and comfort. Its unique shape allows dynamic compositions, providing ergonomic support and style in collaborative spaces and waiting areas.

Dimensions (cm)



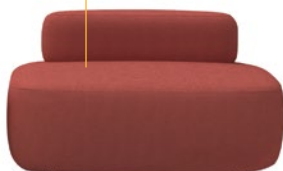
Ref.	Description	Qty.	cm (product)
VOLGA-BXXX00000T	Triangular module with back VOLGA-B	1	115 x 62 x 85

### UPHOLSTERED FINISHES T



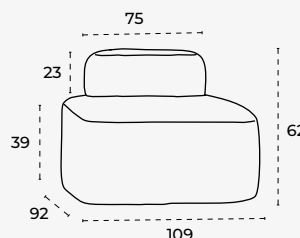
## VOLGA-C MODULES

VOLGA-C00800000T



The square module with back from the VOLGA series provides comfort and style in an elegant, organic design. Its geometric shape allows functional compositions for waiting areas, lounge spaces, or collaborative areas.

Dimensions (cm)



Ref.	Description	Qty.	cm (product)
VOLGA-CXXX00000T	Square module with back VOLGA-C	1	109 x 62 x 92

### UPHOLSTERED FINISHES T



! = Finishes on request

Dimensions = width x height x depth (cm)

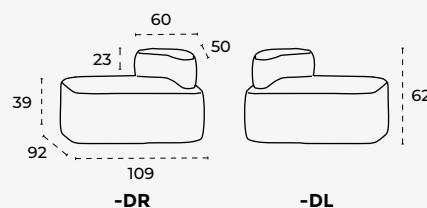
## VOLGA-D MODULES

VOLGA-DR0330000T



The rectangular module with side back from the VOLGA series combines functionality and design. Its elongated shape and side back allow dynamic and comfortable compositions, ideal for collaborative spaces and versatile layouts.

Dimensions (cm)



Ref.	Description	Qty.	cm (product)
VOLGA-DRXXX0000T	Rectangular module / side back VOLGA-DR	1	109 x 62 x 92
VOLGA-DLXXX0000T	Rectangular module / side back VOLGA-DL	1	109 x 62 x 92

### UPHOLSTERED FINISHES T



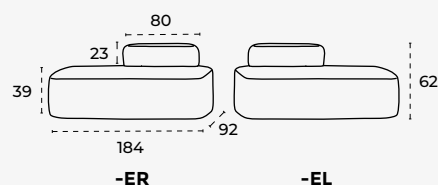
## VOLGA-E MODULES

VOLGA-ER0330000T



The rectangular module with partial back from the VOLGA series combines comfort and design in a versatile format. Its side back allows dynamic and functional compositions in collaborative areas, waiting zones, or informal spaces.

Dimensions (cm)



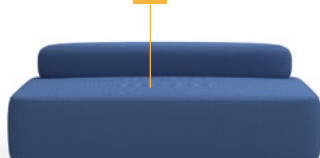
Ref.	Description	Qty.	cm (product)
VOLGA-ERXXX0000T	Rectangular module / partial back VOLGA-ER	1	184 x 62 x 92
VOLGA-ELXXX0000T	Rectangular module / partial back VOLGA-EL	1	184 x 62 x 92

### UPHOLSTERED FINISHES T



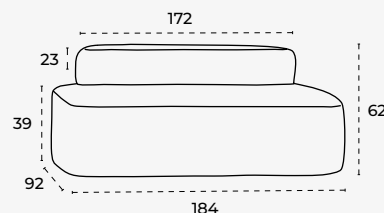
## VOLGA-F MODULES

VOLGA-F03300000T



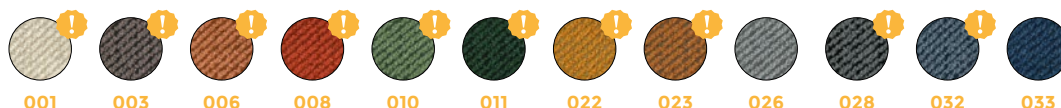
The rectangular module with full back from the VOLGA series offers comfort and stability. Its ergonomic design is ideal for rest areas or informal meetings, combining elegance and functionality with other modules in the collection.

Dimensions (cm)



Ref.	Description	Qty.	cm (product)
VOLGA-FXXX00000T	Rectangular module / full back VOLGA-F	1	184 x 62 x 92

### UPHOLSTERED FINISHES T



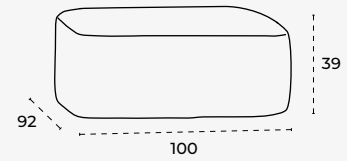
## VOLGA-G MODULES

VOLGA-G03300000T



The square backless module from the VOLGA series is perfect for flexible and modern compositions. Its minimalist and compact design makes it ideal for waiting areas, collaborative spaces, or lounge areas.

Dimensions (cm)



Ref.	Description	Qty.	cm (product)
VOLGA-GXXX00000T	Square module VOLGA-G	1	100 x 39 x 92

### UPHOLSTERED FINISHES T



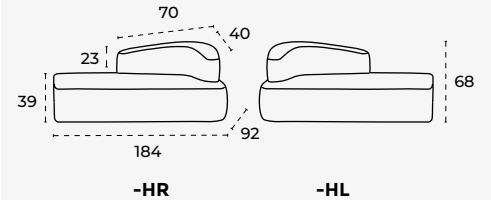
## VOLGA-H MODULES

VOLGA-HL0100000T



The rectangular module with inclined side back from the VOLGA series combines design and functionality. Its ergonomic back allows dynamic compositions in lounge areas or collaborative spaces, providing versatility and personality.

Dimensions (cm)



Ref.	Description	Qty.	cm (product)
VOLGA-HRXXX0000T	Rectangular module / inclined side back VOLGA-HR	1	184 x 68 x 92
VOLGA-HLXXX0000T	Rectangular module / inclined side back VOLGA-HL	1	184 x 68 x 92

### UPHOLSTERED FINISHES T



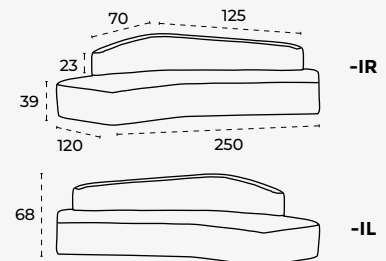
## VOLGA-I MODULES

VOLGA-IL0100000T



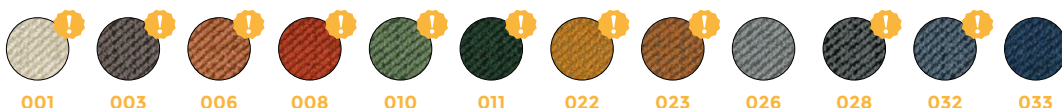
The angled module with inclined back from the VOLGA series combines design and comfort. Its pyramidal back provides ergonomic support and a distinctive touch, ideal for original compositions in lounge areas, collaborative spaces, or informal settings.

Dimensions (cm)



Ref.	Description	Qty.	cm (product)
VOLGA-IRXXX0000T	Corner module / fully inclined back VOLGA-IR	1	250 x 68 x 120
VOLGA-ILXXX0000T	Corner module / fully inclined back VOLGA-IL	1	250 x 68 x 120

### UPHOLSTERED FINISHES T



! = Finishes on request

Dimensions = width x height x depth (cm)

# URAL

URAL takes modular sofas towards a more linear and geometric design. Its modules, available in different finishes and straight shapes, allow elegant and functional compositions, combining comfort, ergonomics and a contemporary style that brings order and visual clarity to any space. Designed for offices, lounge areas,

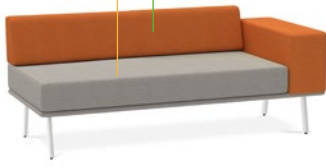
collaborative spaces and informal corners, URAL creates balanced, sophisticated and versatile environments. In short, the URAL collection is synonymous with clean design, modularity and comfort.

SOFT SEATING



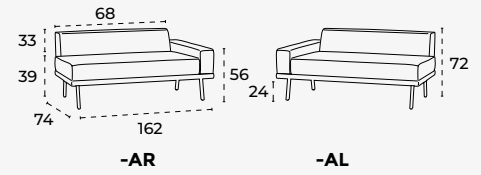
## URAL-A MODULES

URAL-AR02600608T



The rectangular module with backrest and side armrest from the URAL series combines straight lines and robust design with the elegance of its metal legs. Ideal for creating functional and sophisticated compositions, it offers comfort and stability in lounge areas, collaborative spaces, or waiting areas. Provides versatility and contemporary style.

Dimensions (cm)



Ref.	Description	Qty.	cm (product)
URAL-ARXXXXXX08T	Rectangular module / full backrest / armrests URAL-AR	1	162 x 72 x 74
URAL-ALXXXXXX08T	Rectangular module / full backrest / armrests URAL-AL	1	162 x 72 x 74

### UPHOLSTERED FINISHES T



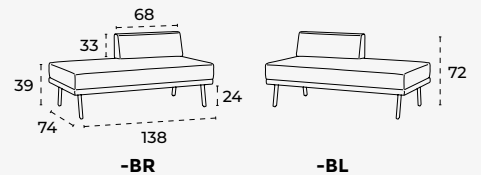
## URAL-B MODULES

URAL-AR01001008T



The rectangular module with partial backrest from the URAL series combines straight lines and contemporary design with the elegance of its metal legs. Its reduced backrest provides visual lightness without compromising comfort, making it an ideal piece for dynamic compositions in lounge areas, collaborative spaces, or waiting areas.

Dimensions (cm)



Ref.	Description	Qty.	cm (product)
URAL-BRXXXXXX08T	Rectangular module / partial backrest URAL-BR	1	138 x 72 x 74
URAL-BLXXXXXX08T	Rectangular module / partial backrest URAL-BL	1	138 x 72 x 74

### UPHOLSTERED FINISHES T



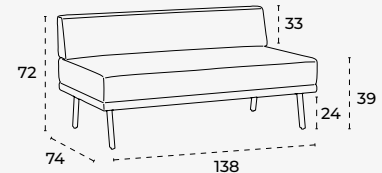
## URAL-C MODULES

URAL-C026006008T



The rectangular module with full backrest from the URAL series stands out for its clean lines and the elegance of its metal legs. It offers comfort and stability in a sober, contemporary design, ideal for lounge areas, waiting areas or collaborative spaces. Perfect to combine with other modules, it allows the creation of functional and sophisticated compositions adapted to any project.

Dimensions (cm)



Ref.	Description	Qty.	cm (product)
URAL-CXXXXXX08T	Rectangular module / full backrest URAL-C	1	138 x 72 x 74

### UPHOLSTERED FINISHES T



! = Finishes on request

Dimensions = width x height x depth (cm)

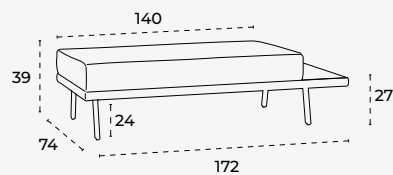
## URAL-D MODULES

URAL-D026000008T



The backless rectangular module from URAL includes a practical side area for placing items. Its straight design and metal legs provide a contemporary, functional style, ideal for collaborative spaces or lounge areas. Combined with other modules, it offers versatile and elegant configurations.

Dimensions (cm)



Ref.	Description	Qty.	cm (product)
URAL-DXXX000008T	Rectangular module / backless / side wing URAL-D	1	172 x 39 x 74

### UPHOLSTERED FINISHES T



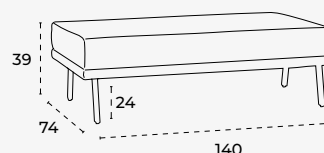
## URAL-E MODULES

URAL-E026000008T



The backless rectangular module from the URAL series stands out for its clean design and straight lines, complemented by elegant metal legs. It is the ideal piece to bring functionality and flexibility to lounge areas, collaborative spaces or waiting areas.

Dimensions (cm)



Ref.	Description	Qty.	cm (product)
URAL-EXXX000008T	Rectangular module URAL-E	1	140 x 39 x 74

### UPHOLSTERED FINISHES T



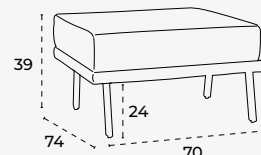
## URAL-F MODULES

URAL-F026000008T



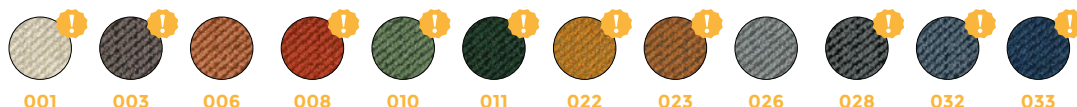
The backless square module from the URAL series combines clean lines and a sober design with the elegance of its metal legs. It is the ideal piece to bring versatility and style, allowing the creation of modern and functional compositions adapted to any space.

Dimensions (cm)



Ref.	Description	Qty.	cm (product)
URAL-FXXX000008T	Square module URAL-F	1	70 x 39 x 74

### UPHOLSTERED FINISHES T



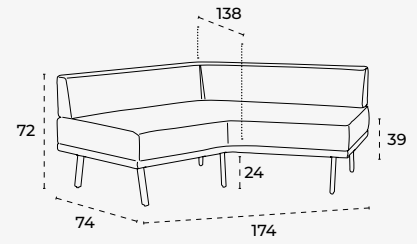
## URAL-G MODULES

URAL-G026006008T



The large corner module with backrest from URAL optimises space and facilitates wide and well-balanced compositions. Its straight design with metal legs provides a contemporary and robust style. Ideal for lounge, collaborative or waiting areas, it integrates easily with other modules to create modern and comfortable environments.

Dimensions (cm)



Ref.	Description	Qty.	cm (product)
URAL-GXXXXXX008T	Large corner module / full backrest URAL-G	1	174 x 72 x 138

### UPHOLSTERED FINISHES T



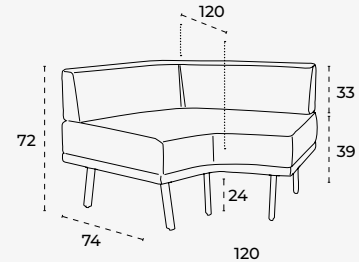
## URAL-H MODULES

URAL-H028028008T



The compact corner module with backrest from the URAL series optimises smaller spaces with a clean, contemporary design. Its metal legs add style and comfort, integrating easily with other modules to create modern and welcoming environments.

Dimensions (cm)



Ref.	Description	Qty.	cm (product)
URAL-HXXXXXX008T	Compact corner module / full backrest URAL-H	1	120 x 72 x 120

### UPHOLSTERED FINISHES T



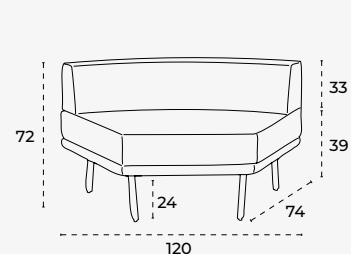
## URAL-I MODULES

URAL-I026006008T



The triangular module with backrest from the URAL series is perfect for making the most of small spaces. Its elegant design and metal legs provide a contemporary style. It is an ideal complementary module for all types of combinations, creating modern and welcoming environments.

Dimensions (cm)



Ref.	Description	Qty.	cm (product)
URAL-IXXXXXX008T	Triangular module / full backrest URAL-I	1	120 x 72 x 74

### UPHOLSTERED FINISHES T



! = Finishes on request

Dimensions = width x height x depth (cm)

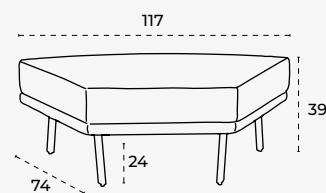
## URAL-J MODULES

URAL-J026000008T



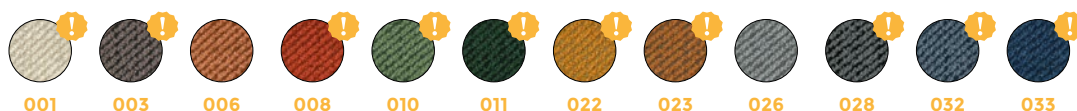
The backless triangular module from the URAL series is perfect for creating versatile compositions in compact spaces. Its elegant design and metal legs provide a contemporary style. It is an ideal complementary module for all types of combinations, creating modern and welcoming environments.

Dimensions (cm)



Ref.	Description	Qty.	cm (product)
URAL-JXXX000008T	Triangular module URAL-J	1	117 x 39 x 74

### UPHOLSTERED FINISHES T



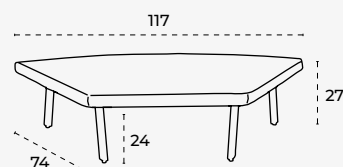
## URAL-N MODULES

URAL-N080000008T



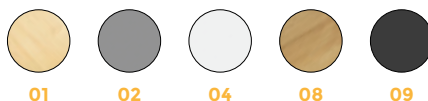
The angular table module from the URAL series brings functionality and contemporary style thanks to its elegant design and metal legs. It is the perfect complement to any combination, offering a practical surface for placing lamps, magazines or other decorative objects.

Dimensions (cm)



Ref.	Description	Qty.	cm (product)
URAL-NXX0000008T	Angular table module URAL-N	1	117 x 27 x 74

### SURFACE FINISHES





SOFT SEATING

# DON

DON redefines modular armchairs with a curved and minimalist design. Its pieces, with soft lines and rounded volumes, allow welcoming and contemporary compositions. Perfect for offices, lounge areas or

informal spaces, the collection combines ergonomics, versatility and understated elegance. In summary, DON is fluid design, comfort and simplicity.

SOFT SEATING



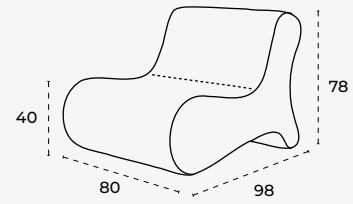
## MODULAR ARMCHAIRS DON-A

DON-A026004000T



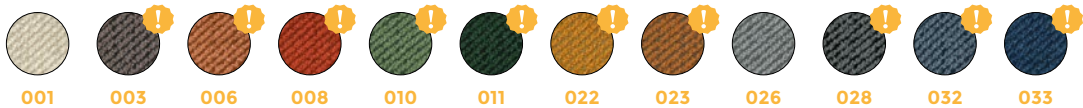
Straight module with a soft and minimalist design, compact and comfortable, serving as the base for creating versatile compositions. Ideal for lounge areas, collaborative spaces or waiting areas, it easily combines with other modules to form modern and welcoming environments.

Dimensions (cm)



Ref.	Description	Qty.	cm (product)
DON-AXXX004000T	Straight modular armchair DON-A	1	80 x 78 x 98

### UPHOLSTERED FINISHES T



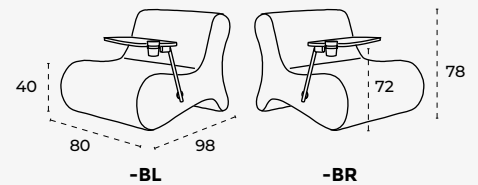
## MODULAR ARMCHAIRS DON-B

DON-BR03304000T



Straight module with an integrated side table, designed for writing or working with a laptop. It maintains the soft and minimalist design of the DON series and offers a compact, functional solution that easily combines with other modules in lounge areas, collaborative spaces or waiting areas.

Dimensions (cm)



Ref.	Description	Qty.	cm (product)
DON-BRXXX04000T	Modular armchair with right-hand table DON-BR	1	80 x 78 x 98
DON-BLXXX04000T	Modular armchair with left-hand table DON-BL	1	80 x 78 x 98

### UPHOLSTERED FINISHES T



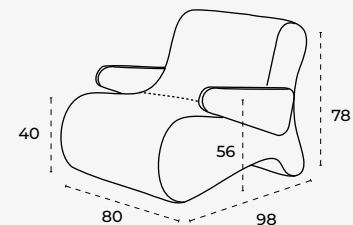
## MODULAR ARMCHAIRS DON-C

DON-C001004000T



Straight module with wooden armrests that provides comfort and a timeless design. Its solid structure and the warmth of the wood add natural elegance, and it integrates easily into versatile compositions to create cosy and sophisticated spaces.

Dimensions (cm)



Ref.	Description	Qty.	cm (product)
DON-CXXX004000T	Modular armchair with armrests DON-C	1	80 x 78 x 98

### UPHOLSTERED FINISHES T



! = Finishes on request

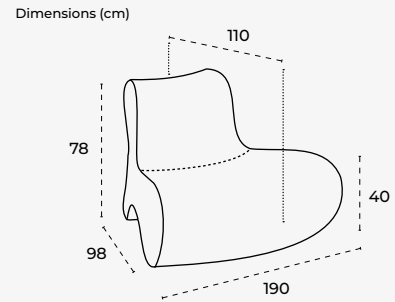
Dimensions = width x height x depth (cm)

## MODULAR ARMCHAIRS DON-D

DON-D0010040000T



The open corner module of the DON series offers a robust and elegant solution for compositions that require continuity and privacy. Its enveloping design provides comfort and stability, integrating perfectly into modern and functional environments.



Ref.	Description	Qty.	cm (product)
DON-DXXX0040000T	Open corner modular armchair DON-D	1	190 x 78 x 110

### UPHOLSTERED FINISHES T

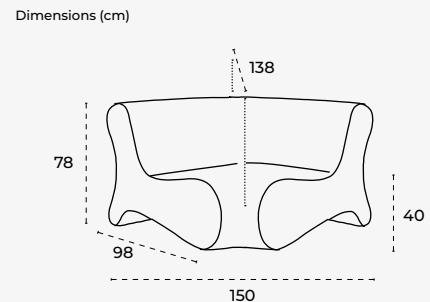


## MODULAR ARMCHAIRS DON-E

DON-E0080040000T



The 90° corner module of the DON series is perfect for creating defined corners and compact compositions. Its precise and contemporary design optimises space without compromising aesthetics, creating welcoming and well-structured environments.



Ref.	Description	Qty.	cm (product)
DON-EXXX0040000T	90° corner modular armchair DON-E	1	150 x 78 x 138

### UPHOLSTERED FINISHES T

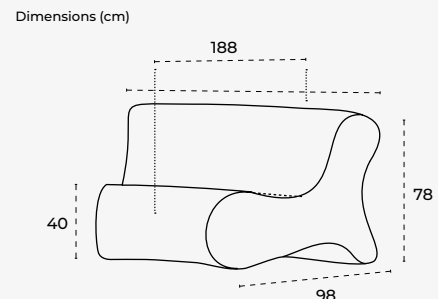


## MODULAR ARMCHAIRS DON-F

DON-F0330040000T

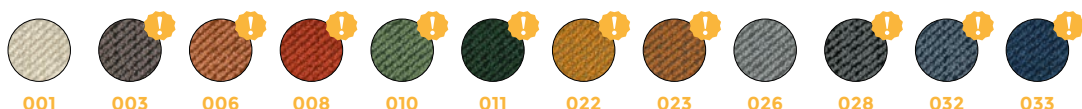


The closed corner module from the DON series offers a robust and elegant solution for compositions that require continuity and privacy. Its wraparound design provides comfort and stability, integrating perfectly into modern and functional environments.



Ref.	Description	Qty.	cm (product)
DON-FXXX0040000T	Closed corner modular armchair DON-F	1	188 x 78 x 100

### UPHOLSTERED FINISHES T





SOFT SEATING

# AVON

AVON chairs combine comfort and design in an elegant and functional executive style. Their soft lines and balanced volumes provide comfort and distinction, available with or without castors depending on the need.

Ideal for offices, meeting rooms or work corners, they offer ergonomics, sophistication and practicality. In short, AVON stands for comfort, style and versatility.

SOFT SEATING



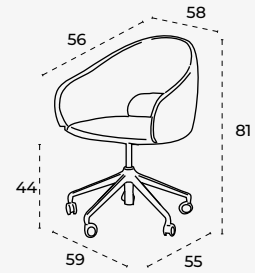
## AVON-A CHAIRS

AVON-A001040000T



The AVON chair, with upholstered seat and backrest and integrated armrests, offers comfort and style. Its 360° swivel seat and metal base with castors ensure full mobility and optimal ergonomics, making it ideal for offices, meeting rooms and collaborative spaces.

Dimensions (cm)



Ref.	Description	Qty.	cm (product)
AVON-A001040000T	Chair with 5-star base and castors AVON-A	1	59 x 81 x 55

### UPHOLSTERED FINISHES T



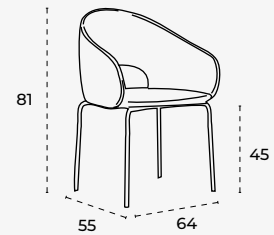
## AVON-C CHAIRS

AVON-C033040000T



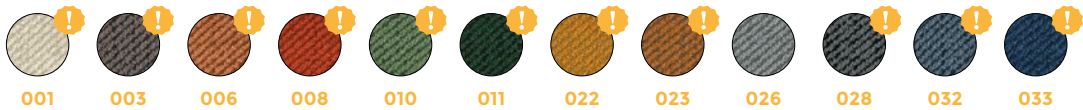
The AVON chair, with upholstered seat and backrest and integrated armrests, combines comfort and style. Its tubular four-leg metal base provides stability and lightness, making it perfect for offices, meeting rooms and collaborative spaces.

Dimensions (cm)



Ref.	Description	Qty.	cm (product)
AVON-C033040000T	Chair with 4-leg base AVON-C	1	64 x 81 x 55

### UPHOLSTERED FINISHES T



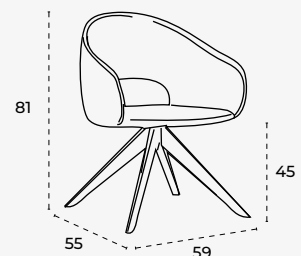
## AVON-D CHAIRS

AVON-D022210000T



The AVON chair, with upholstered seat and backrest and integrated armrests, combines comfort and style. Its four-leg wooden pyramid base adds elegance and warmth, making it the ideal option for lounge areas, waiting spaces and collaborative environments.

Dimensions (cm)



Ref.	Description	Qty.	cm (product)
AVON-D022210000T	Chair with wooden pyramid base AVON-D	1	59 x 81 x 55

### UPHOLSTERED FINISHES T



! = Finishes on request

Dimensions = width x height x depth (cm)

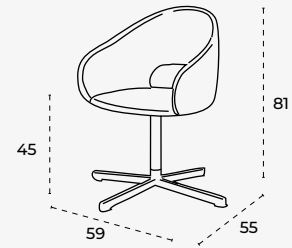
## AVON-E CHAIRS

AVON-E008040000T



The AVON chair, with upholstered seat and backrest and integrated armrests, offers comfort and style. Its 360° swivel seat and four-star metal base ensure stability and functionality, making it ideal for offices, meeting rooms and collaborative spaces.

Dimensions (cm)



Ref.	Description	Qty.	cm (product)
AVON-EXXX040000T	Chair with 4-spoke base AVON-E	1	59 x 81 x 55

### UPHOLSTERED FINISHES T



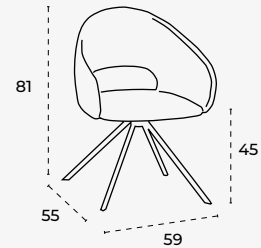
## AVON-F CHAIRS

AVON-F010040000T



The AVON chair, with upholstered seat and backrest and integrated armrests, offers comfort and style. Its 360° swivel seat and four-legged metal pyramidal base provide stability and elegance, making it perfect for lounge areas, waiting areas and collaborative spaces.

Dimensions (cm)



Ref.	Description	Qty.	cm (product)
AVON-FXXX040000T	Chair with metal pyramidal base AVON-F	1	59 x 81 x 55

### UPHOLSTERED FINISHES T



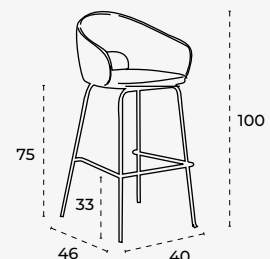
## AVON-G CHAIRS

AVON-G026040000T



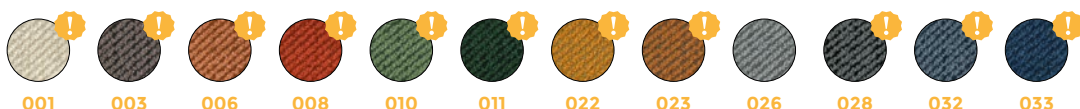
The AVON high stool, with upholstered seat and backrest and integrated armrests, offers comfort and style. Its tubular metal base with footrest provides stability, making it ideal for meeting areas, collaborative spaces or cafeterias.

Dimensions (cm)



Ref.	Description	Qty.	cm (product)
AVON-GXXX040000T	Stool with 4-leg base AVON-G	1	40 x 100 x 46

### UPHOLSTERED FINISHES T





SOFT SEATING

# MODULA

**Comfort and functionality that transform the workplace.**

The MODULA collection offers designer office furniture created to optimize every workspace, combining ergonomics, style and premium finishes. Its carefully designed ergonomic desks allow correct posture and comfort during long working hours, encouraging concentration and productivity.

MODULA transforms any working environment into a more efficient, comfortable and aesthetically attractive space, where design and functionality meet in perfect harmony.



MODULA

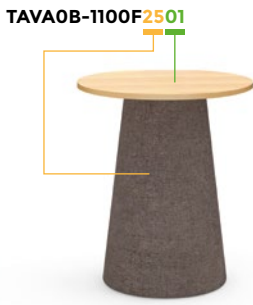
# TAVA

The tables of the TAVA collection combine elegance and design in a modern and functional style. Their refined lines and balanced proportions bring sophistication and distinction, adapting to different work environments.

Ideal for meeting rooms, collaborative areas or executive spaces, they offer functionality, durability and timeless style. In short, TAVA stands for design, elegance and versatility.

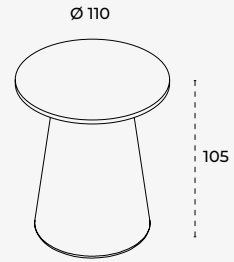


## TAVA INDIVIDUAL TABLE UPHOLSTERED STRUCTURE



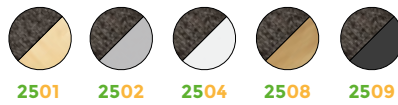
The high TAVA table, with upholstered base and round top, brings design and functionality to any space. Its elegant aesthetic and the integration of natural elements create a welcoming and contemporary atmosphere. Perfect for informal meetings, collaborative areas or lounge spaces.

Dimensions (cm)

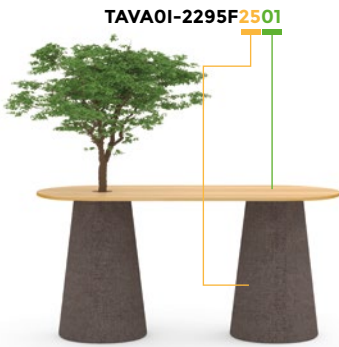


Ref.	Description	Qty.	cm (surface)	cm (product)
TAVA0B-1100F25XX	TAVA individual table upholstered structure / melamine top	1	Ø 110	110 x 105 x 110

### UPHOLSTERED STRUCTURE L

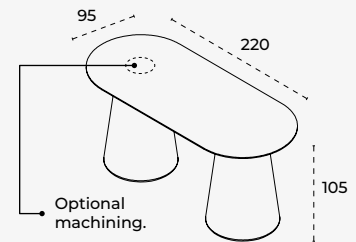


## TAVA DOUBLE TABLE UPHOLSTERED STRUCTURE



The high TAVA table with two upholstered columns and oval top adds elegance and functionality to any space. Its contemporary design and textile base create a warm and sophisticated atmosphere. Perfect for informal meetings, collaborative areas or lounge spaces.

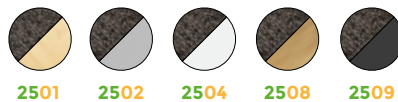
Dimensions (cm)



Ref.	Description	Qty.	cm (surface)	cm (product)
TAVA01-2295F25XX	TAVA double table upholstered structure / melamine top	1	220 x 95	220 x 105 x 95

● Tree not included / Top supplied without machining as standard. For machined top, please consult Rocada.

### UPHOLSTERED STRUCTURE L

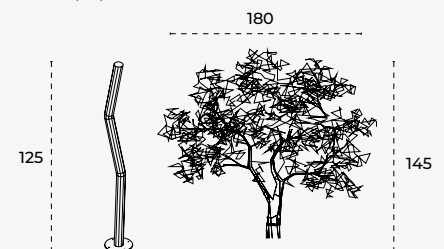


## TREE ACCESSORY FOR TAVA MEETING TABLE



The artificial tree accessory for the TAVA table adds a natural and distinctive touch to any space. Its integration in the centre of the tabletop creates a fresh and welcoming atmosphere, enhancing a sense of wellbeing and creativity.

Dimensions (cm)



Ref.	Description	Qty.	cm (product)
TAVA7A-182700000	Tree accessory for TAVA meeting table	1	180 x 270 x 180

! = Finishes on request

Dimensions = width x height x depth (cm)

# KYBA

With elegant lines and carefully selected materials, our designer desks with wooden legs combine aesthetics and functionality in a single piece. The natural warmth of wood brings character and personality to every space, while the solid structure ensures stability and

durability for everyday use. Designed for modern work environments, creative studios or home offices, these desks not only fulfill a practical function but also become a key decorative element.



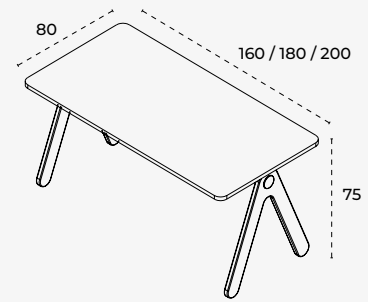
## KYBA10 INDIVIDUAL DESKS

KYBA10-1880G1W04



The KYBA table combines minimalist design and functionality for modern environments. Its wooden leg structure adds warmth and style. Ideal for offices, home offices or collaborative spaces, it integrates electrification solutions to keep everything organised and connected.

Dimensions (cm)



Ref.	Description	Qty.	cm (surface)	cm (product)
KYBA10-1680G1XXX	KYBA individual table wooden structure / melamine top	1	160 x 80	160 x 75 x 80
KYBA10-1880G1XXX	KYBA individual table wooden structure / melamine top	1	180 x 80	180 x 75 x 80
KYBA10-2080G1XXX	KYBA individual table wooden structure / melamine top	1	200 x 80	200 x 75 x 80

### WHITE STRUCTURE



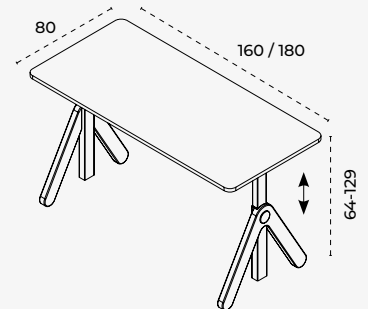
## KYBA20 ELECTRIC HEIGHT-ADJUSTABLE INDIVIDUAL DESKS

KYBA20-1880G2W09



The KYBA electrically height-adjustable table redefines ergonomics in modern work environments. Its minimalist design and wooden legs add warmth, while the motorised system allows quick and silent height adjustment. Ideal for dynamic offices, it promotes comfort and productivity by adapting to each user.

Dimensions (cm)



Ref.	Description	Qty.	cm (surface)	cm (product)
KYBA20-1680G2XXX	KYBA height-adjustable electric table wooden structure / melamine top	1	160 x 80	160 x 64-129 x 80
KYBA20-1880G2XXX	KYBA height-adjustable electric table wooden structure / melamine top	1	180 x 80	180 x 64-129 x 80

### WHITE STRUCTURE



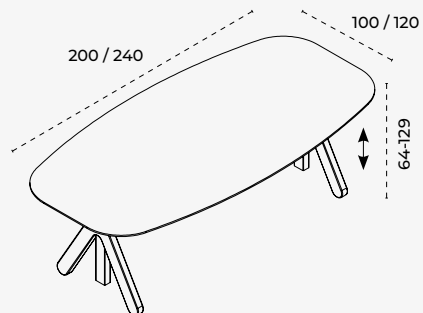
## KYBA20 ELECTRIC HEIGHT-ADJUSTABLE MEETING TABLES

KYBA20-2010G2 **W02**



The KYBA electric height-adjustable meeting table redefines ergonomics in modern work environments. Its minimalist design and wooden legs add warmth, while the motorised system allows quick and silent height adjustment. Ideal for dynamic offices and collaborative spaces.

Dimensions (cm)



Ref.	Description	Qty.	cm (surface)	cm (product)
KYBA20-2010G2 <b>XXX</b>	Height-adjustable electric meeting table KYBA wood structure / melamine top	1	200 x 100	200 x 64-129 x 100
KYBA20-2412G2 <b>XXX</b>	Height-adjustable electric meeting table KYBA wood structure / melamine top	1	240 x 120	240 x 64-129 x 120

### WHITE STRUCTURE



W01

W02

W04

W08

W09





MODULA

# E-TABLE

E-TABLE desks are characterized by an electric height adjustment system, allowing users to change the desk position to work seated or standing. It is the perfect solution for proper postural health. Alternating positions throughout the working day is not only beneficial for health, but also enhances productivity and creativity. Motorized system compliant with EN62233:2008 standard, designed to meet the most demanding work requirements.

Structure made of steel tube and sheet, finished in epoxy RAL 9003, with a three-stage height-adjustable column (minimum 620 mm – maximum 1260 mm) operated by an

electric adjustment device, achieving the desired height quickly and easily. Includes height-adjustable levelers up to 2 cm. Worktops made of 25 mm thick melamine in the color according to model, edged with 1 mm PVC in the same color.

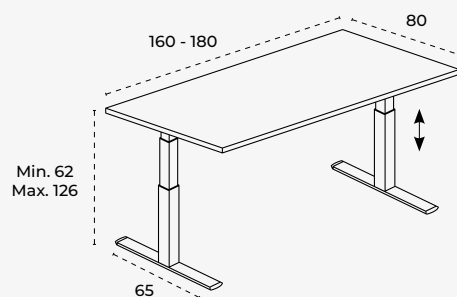
Series available in different desk formats to furnish the various work areas within any project, adapting to each space. Individual desks, 2-person bench systems, as well as related accessories (CPU holders, cable management, modesty panels...). Contact Rocada for available options and the possibility of custom-made products.



## E-TABLE - INDIVIDUAL DESKS WITH ELECTRIC HEIGHT ADJUSTMENT



Dimensions (cm)



Ref.	Description	Qty.	cm (surface)	cm (product)
2002XCRXX	E-TABLE height-adjustable electric desk with 3 telescopic columns / melamine top	1	160 x 80	160 x 62-126 x 80
2003XCRXX	E-TABLE height-adjustable electric desk with 3 telescopic columns / melamine top	1	180 x 80	180 x 62-126 x 80

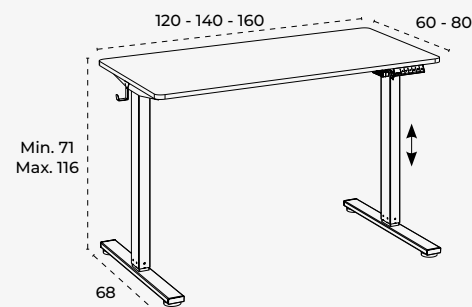
### WHITE STRUCTURE



## E-TABLE\_ECO - INDIVIDUAL DESKS WITH ELECTRIC HEIGHT ADJUSTMENT



Dimensions (cm)



Ref.	Description	Qty.	cm (surface)	cm (product)
2000XCRXXECO	E-TABLE ECO height-adjustable electric desk with 2 telescopic columns / melamine top	1	120 x 60	120 x 71-116 x 60
2001XCRXXECO	E-TABLE ECO height-adjustable electric desk with 2 telescopic columns / melamine top	1	140 x 80	140 x 71-116 x 80
2002XCRXXECO	E-TABLE ECO height-adjustable electric desk with 2 telescopic columns / melamine top	1	160 x 80	160 x 71-116 x 80

### WHITE STRUCTURE



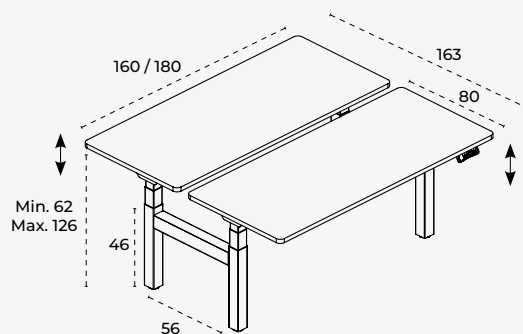
! = Finishes on request

Dimensions = width x height x depth (cm)

## E-TABLE - DOUBLE DESKS WITH ELECTRIC HEIGHT ADJUSTMENT



Dimensions (cm)



Ref.	Description	Qty.	cm (surface)	cm (product)
2201XCRXX	E-TABLE double height-adjustable electric desk with 3 telescopic columns / melamine top	1	160 x 163	160 x 62-126 x 163
2202XCRXX	E-TABLE double height-adjustable electric desk with 3 telescopic columns / melamine top	1	180 x 163	180 x 62-126 x 163

### WHITE STRUCTURE



## E-TABLE - DIVIDERS FOR DOUBLE DESKS

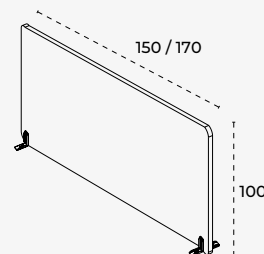


Recycled PET acoustic divider for height-adjustable double desks. Designed to improve privacy and reduce noise in collaborative environments, it provides acoustic comfort without compromising aesthetics. Its sustainable and lightweight material makes installation and maintenance easy, creating more functional and pleasant spaces.

### PET ACOUSTIC



Dimensions (cm)



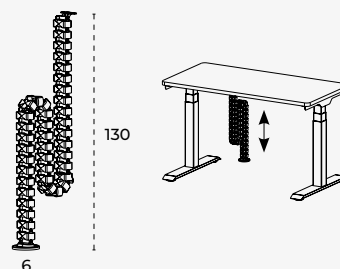
Ref.	Description	Qty.	cm (product)
2918W00103	Acoustic divider panel for E-TABLE double desk	1	150 x 100 x 2
2919W00103	Acoustic divider panel for E-TABLE double desk	1	170 x 100 x 2

## E-TABLE - LONG CABLE COLUMN FOR ELECTRIC HEIGHT-ADJUSTABLE DESKS



Cable management column ideal for height-adjustable desks, organising and concealing wiring to maintain a clean, safe and functional workspace in modern offices.

Dimensions (cm)



Ref.	Description	Qty.	cm (product)
2923CMP26-01	Long cable management column aluminium colour	1	130 x 6 x 2



MODULA

# MYRK

With a sophisticated design and carefully studied proportions, the tables of the MYRK collection stand out for their legs full of character and elegance. Each piece combines aesthetic innovation and functionality, bringing a contemporary and distinctive style to any

workspace. Its robust structure ensures stability and durability for everyday use, while its refined design turns each table into a statement element. Designed for modern offices, creative studios and spaces that value design as an essential part of the environment.



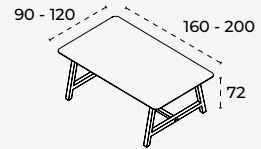
MODULA

## MYRK10 OFFICE TABLES

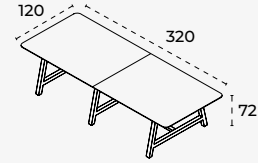


The MYRK operational table stands out for its generous dimensions and design conceived for open and collaborative spaces. Its wide top allows work teams to gather comfortably, encouraging interaction and creativity. The solid wood legs provide warmth and stability, creating an elegant contrast with the top available in different finishes.

Dimensions (cm)



Ref. MYRK10-16 / MYRK10-20



Ref. MYRK10-32

Ref.	Description	Qty.	cm (surface)	cm (product)
MYRK10-1690H1YXX	MYRK table wooden structure / melamine top	1	160 x 90	160 x 72 x 90
MYRK10-2012H1YXX	MYRK table wooden structure / melamine top	1	200 x 120	200 x 72 x 120
MYRK10-3212H1YXX	MYRK table wooden structure / melamine top	1	320 x 120	320 x 72 x 120

### FINISHES

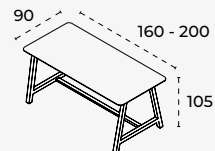


## MYRK20 HIGH OFFICE TABLES

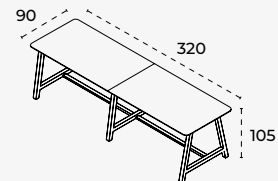


The MYRK high table brings functionality and design to collaborative spaces and open areas. With more compact dimensions, it is perfect for informal meetings, dynamic work or coworking areas. Its refined top combines with solid wood legs that convey warmth and stability. The elevated height promotes active interaction and flexibility in modern environments.

Dimensions (cm)



Ref. MYRK20-16 / MYRK20-20



Ref. MYRK20-32

Ref.	Description	Qty.	cm (surface)	cm (product)
MYRK20-1690H2YXX	MYRK high table wooden structure / melamine top	1	160 x 90	160 x 105 x 90
MYRK20-2090H2YXX	MYRK high table wooden structure / melamine top	1	200 x 90	200 x 105 x 90
MYRK20-3290H2YXX	MYRK high table wooden structure / melamine top	1	320 x 90	320 x 105 x 90

### FINISHES



# VORN

With a contemporary design and carefully detailed finishes, the occasional tables of the VORN collection combine aesthetics and versatility in light and functional pieces. Designed to complement any space, they add a subtle yet distinctive design touch, easily adapting to

both residential and professional environments. Their balanced structure ensures stability and durability, while their elegant shape makes them the perfect complement for offices, waiting areas or creative spaces.



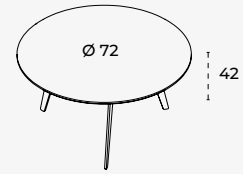
## VORN10 OCCASIONAL TABLES

VORN10-7500J1Y04

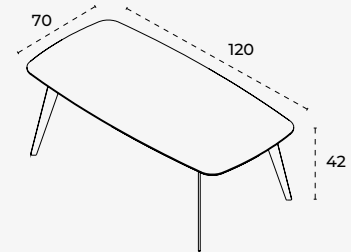


The VORN series offers elegant and functional occasional tables to complement any space. With a lightweight metal structure and refined finished tops, they are ideal for waiting areas, lounge zones or collaborative spaces.

Dimensions (cm)



Ref. VORN10-7500J1



Ref. VORN10-1270J1

Ref.	Description	Qty.	cm (surface)	cm (product)
VORN10-7500JXXX	VORN occasional table metal structure / melamine top	1	Ø 72	72 x 42 x 72
VORN10-1270J1XXX	VORN occasional table metal structure / melamine top	1	120 X 70	120 x 42 x 70

### GREY STRUCTURE



### WHITE STRUCTURE



### ANTHRACITE STRUCTURE



# LYNT

With a clean design, the occasional tables of the LYNT collection stand out for their balance between visual lightness and functionality. Designed to integrate naturally into any environment, they add a touch of discreet and versatile elegance.

Their solid structure ensures stability and durability in everyday use, while their refined aesthetic makes them the ideal complement for offices, waiting areas and modern spaces.



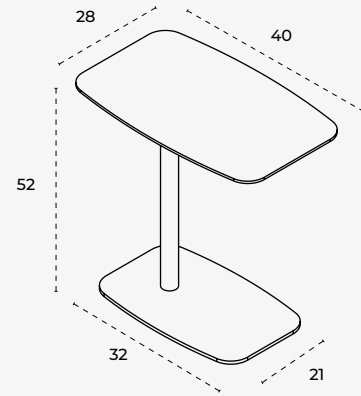
# LYNT10 LOW OCCASIONAL TABLES

LYNT10-4028K1D02



The LYNT occasional table stands out for its lightweight and functional design, ideal to complement sofas, armchairs or informal work areas. Its metal structure and stable base allow comfortable use in any space.

Dimensions (cm)

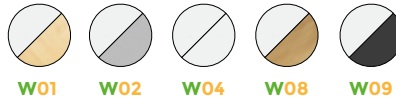


Ref.	Description	Qty.	cm (surface)	cm (product)
LYNT10-4028K1XXX	LYNT occasional table metal structure / melamine top	1	40 x 28	40 x 52 x 28

### GREY STRUCTURE



### WHITE STRUCTURE



### ANTHRACITE STRUCTURE



# MAGNUM

## **Dynamic spaces with multiple functionalities.**

The MAGNUM collection redefines functionality in dynamic spaces thanks to its modular and mobile design. Different solutions adapted to multiple needs. With a robust structure, high-quality finishes and braked castors for easy transport,

MAGNUM adapts to modern offices, coworking spaces and environments where flexibility is essential. A contemporary design that combines aesthetics and functionality to transform any space into a more efficient and collaborative place.



MAGNUM

# MAGNUM



MAGNUM

## MAGNUM A MOBILE MODULE WITH SHELVES



Optimise your space with the MAGNUM A module, featuring metal shelves for efficient organisation. Perfect for storing documents, work materials or decorative elements, this unit combines functionality and contemporary aesthetics. Its modular design allows adaptation to different environments, offering order and accessibility at all times.

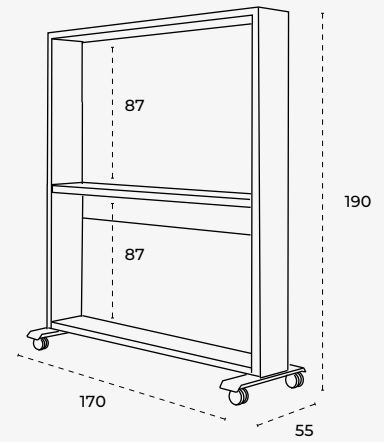


7015-2100



9003-2100

Dimensions (cm)



Ref.	Description	Qty.	cm (product)
MGN-AXXXX-XXXX	MAGNUM A mobile module with shelves	1	170 x 190 x 55

## MAGNUM B MOBILE MODULE WITH COAT RAIL



The MAGNUM B module is the perfect solution to maintain order and functionality in your space. Equipped with a cylindrical rail for hangers, it allows garments and accessories to be organised in style. Its minimalist structure and high-quality finishes make it an ideal complement for offices, changing rooms or reception areas, providing practicality without compromising design.

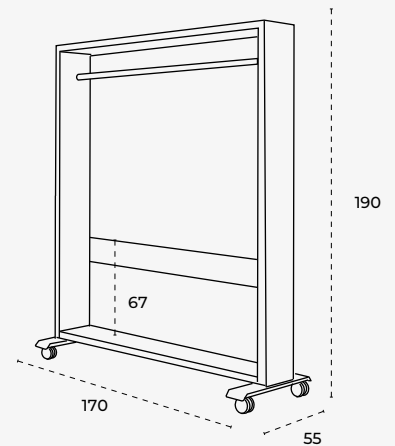


7015-2100



9003-2100

Dimensions (cm)



Ref.	Description	Qty.	cm (product)
MGN-BXXXX-XXXX	MAGNUM B mobile module with coat rail	1	170 x 190 x 55

## MAGNUM C MOBILE MODULE WITH 65" MONITOR STAND



Designed for dynamic and collaborative environments, the MAGNUM C module features a robust metal structure supporting monitors up to 65". Ideal for presentations, videoconferences or interactive spaces, it ensures stability and easy transport thanks to its lockable castors. Its elegant design integrates perfectly into modern offices, enhancing visual communication and productivity.

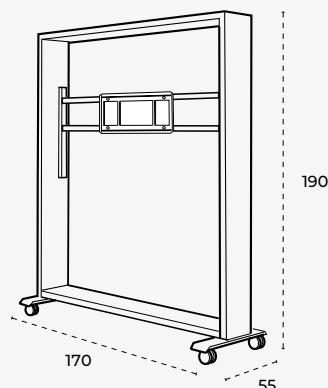


7015-2100



9003-2100

Dimensions (cm)



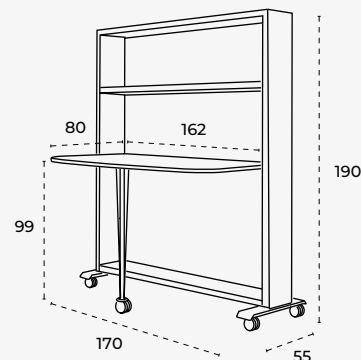
Ref.	Description	Qty.	cm (product)
MGN-CXXXX-XXXX	MAGNUM C mobile module with 65" monitor stand	1	170 x 190 x 55

## MAGNUM D MOBILE MODULE WITH FOLDING TABLE



The MAGNUM D module is designed to encourage collaboration. It includes a folding table that unfolds easily, creating an improvised workspace for quick meetings or creative sessions. Its mobile and versatile structure makes it the ideal ally for flexible offices, coworking spaces and environments where adaptability is key.

Dimensions (cm)



Ref.	Description	Qty.	cm (surface)	cm (product)
MGN-DXXXX-XXXX	MAGNUM D mobile module with folding table	1	162 x 80	170 x 190 x 55

### WHITE STRUCTURE



7015-2102



7015-2104



7015-2109

### ANTHRACITE STRUCTURE



9003-2102



9003-2104



9003-2109



MAGNUM

# SITIA

## **Design that follows movement.**

The SITIA family redefines the seating experience through a refined, ergonomic and versatile design. A collection of designer chairs created to adapt to different spaces and uses, from offices and meeting rooms to waiting areas and collaborative environments. With a solid structure, high-quality materials and a contemporary design that pays attention to every detail, SITIA combines comfort, functionality and aesthetics in a single proposal. An elegant and practical solution for creating modern, comfortable spaces with their own identity.



SITIA

# GLAB

With an ergonomic, functional and versatile design, GLAB office chairs have been conceived to meet the demands of daily work. Their resistant and comfortable structure promotes proper posture, improving well-being and productivity. Thanks to their different adjustment

options and finishes, they integrate easily into all types of professional spaces, providing comfort, efficiency and a contemporary style. GLAB chairs are the ideal solution for those seeking performance, comfort and design in a single product.

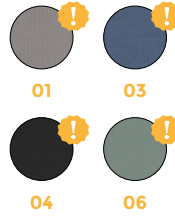


## GLAB-W EXECUTIVE CHAIRS WHITE FRAME

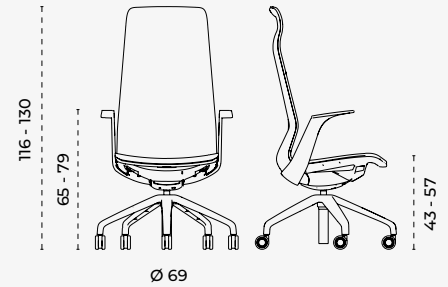


Professional office task chair with white frame, mesh seat and backrest with lumbar adjustment for maximum comfort. Features seat depth adjustment and 3-position synchro mechanism for ergonomic movement. Metal base providing stability and elegant design. 5D adjustable armrests included as standard for a personalised posture. Semi-assembled as standard with soft castors suitable for parquet floors. Avant-garde solution combining comfort, performance and design.

### FINISHES MESH S



Dimensions (cm)



castors = Ø 6,5

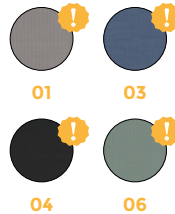
Ref.	Description	Qty.	cm (product)
GLAB22-150808S01	Professional task chair GLAB22-W	1	69 x 116-130 x 69
GLAB22-150808S03	Professional task chair GLAB22-W	1	69 x 116-130 x 69
GLAB22-150808S04	Professional task chair GLAB22-W	1	69 x 116-130 x 69
GLAB22-150808S06	Professional task chair GLAB22-W	1	69 x 116-130 x 69

## GLAB EXECUTIVE CHAIRS BLACK FRAME

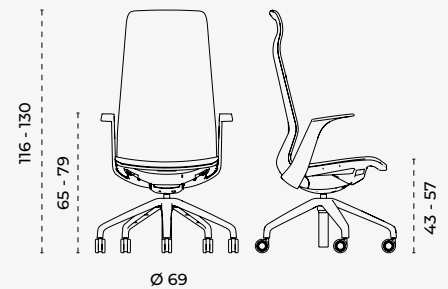


Professional office task chair with black frame, mesh seat and backrest with lumbar adjustment for maximum comfort. Features seat depth adjustment and 3-position synchro mechanism for ergonomic movement. Metal base providing stability and elegant design. 5D adjustable armrests included as standard for a personalised posture. Semi-assembled as standard with soft castors suitable for parquet floors. Avant-garde solution combining comfort, performance and design.

### FINISHES MESH S



Dimensions (cm)



castors = Ø 6,5

Ref.	Description	Qty.	cm (product)
GLAB22-150404S01	Professional task chair GLAB22	1	69 x 116-130 x 69
GLAB22-150404S03	Professional task chair GLAB22	1	69 x 116-130 x 69
GLAB22-150404S04	Professional task chair GLAB22	1	69 x 116-130 x 69
GLAB22-150404S06	Professional task chair GLAB22	1	69 x 116-130 x 69

# VANU

With a contemporary, functional and versatile design, VANU chairs have been conceived to adapt to the different uses of everyday life, both in professional environments and collective spaces. Their resistant structure and carefully designed ergonomics guarantee comfort and durability, even under intensive use.

Thanks to their lightweight design and the variety of available finishes, they integrate easily into offices, meeting rooms and waiting areas, providing order, comfort and a contemporary style. VANU chairs are the ideal solution for those seeking a balance between functionality, resistance and design.

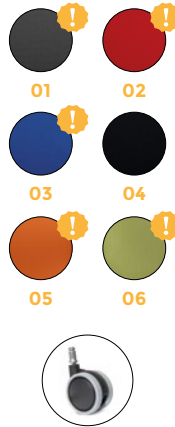


## VANU-W TASK CHAIRS WHITE FRAME



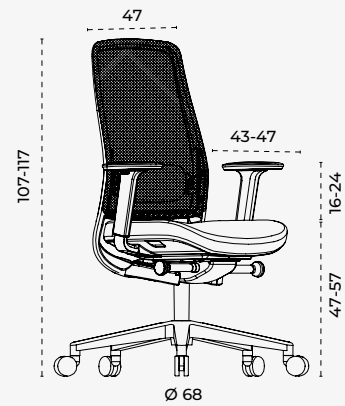
Professional office task chair with white frame, mesh backrest with lumbar adjustment and upholstered seat for maximum comfort. Features seat depth adjustment and 5-position synchro mechanism for ergonomic movement. Polished aluminium base providing stability and elegant design. 4D adjustable armrests included as standard for a personalised posture. Compatible with parquet castors model RD-917. Modern solution combining comfort, functionality and style.

### UPHOLSTERY F



**RD-917**  
(Optional)

Dimensions (cm)



castors = Ø 6

Ref.	Description	Qty.	cm (product)
● <b>VANU25-140800F01</b>	Professional task chair VANU25-W	1	68 x 107-117 x 68
● <b>VANU25-140800F02</b>	Professional task chair VANU25-W	1	68 x 107-117 x 68
● <b>VANU25-140800F03</b>	Professional task chair VANU25-W	1	68 x 107-117 x 68
● <b>VANU25-140800F04</b>	Professional task chair VANU25-W	1	68 x 107-117 x 68
● <b>VANU25-140800F05</b>	Professional task chair VANU25-W	1	68 x 107-117 x 68
● <b>VANU25-140800F06</b>	Professional task chair VANU25-W	1	68 x 107-117 x 68
<b>917</b>	Ø6cm parquet castors - pack 5u (optional)	5	6 x 10 x 5

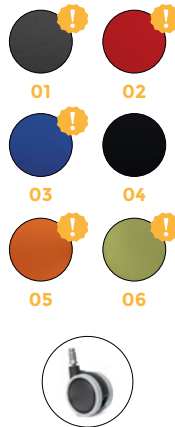
● Chair certified EN1335.

## VANU TASK CHAIRS BLACK FRAME



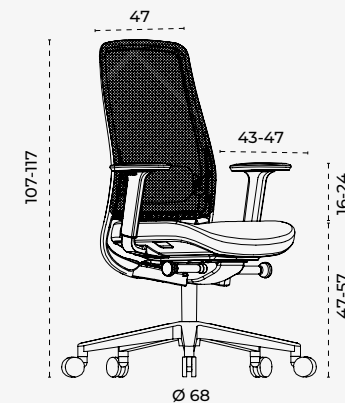
Professional office task chair with black frame, mesh backrest with lumbar adjustment and upholstered seat for maximum comfort. Features seat depth adjustment and 5-position synchro mechanism for ergonomic movement. Polished aluminium base providing stability and elegant design. 4D adjustable armrests included as standard for a personalised posture. Compatible with parquet castors model RD-917. Modern solution combining comfort, functionality and style.

### UPHOLSTERY F



**RD-917**  
(Optional)

Dimensions (cm)



castors = Ø 6

Ref.	Description	Qty.	cm (product)
● <b>VANU25-140400F01</b>	Professional task chair VANU25	1	68 x 107-117 x 68
● <b>VANU25-140400F02</b>	Professional task chair VANU25	1	68 x 107-117 x 68
● <b>VANU25-140400F03</b>	Professional task chair VANU25	1	68 x 107-117 x 68
● <b>VANU25-140400F04</b>	Professional task chair VANU25	1	68 x 107-117 x 68
● <b>VANU25-140400F05</b>	Professional task chair VANU25	1	68 x 107-117 x 68
● <b>VANU25-140400F06</b>	Professional task chair VANU25	1	68 x 107-117 x 68
<b>917</b>	Ø6cm parquet castors - pack 5u (optional)	5	6 x 10 x 5

● Chair certified EN1335.

! = Finishes on request

Dimensions = width x height x depth (cm)

# RILU

With a modern and functional design, the chairs of the RILU collection have been conceived to offer a practical and aesthetic solution for all types of spaces. Their resistant structure and carefully developed ergonomics guarantee comfort and durability in daily use. Thanks to their versatile design and the variety of finishes, they

integrate easily into offices, meeting rooms, waiting areas and collaborative spaces, bringing order, comfort and a contemporary style. The RILU collection is the ideal choice for those seeking a balance between design, functionality and durability.

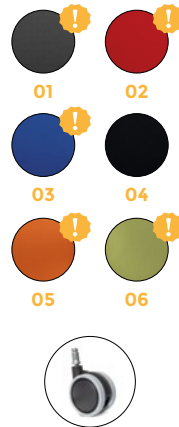


## RILU-G TASK CHAIRS GREY FRAME



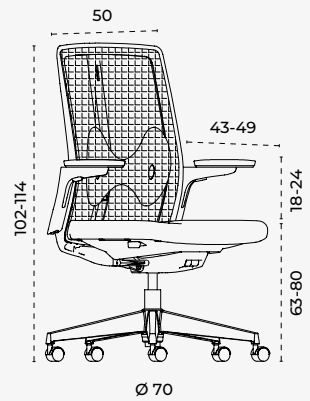
Professional office task chair with grey frame, mesh backrest with lumbar adjustment and upholstered seat for maximum comfort. Features seat depth adjustment and 3-position synchro mechanism for ergonomic movement. Technical polymer base. 3D adjustable armrests included as standard for a personalised posture. Compatible with parquet castors model RD-917.

### UPHOLSTERY F



RD-917 (Optional)

Dimensions (cm)



castors = Ø 6

Ref.	Description	Qty.	cm (product)
● RILU25-130101F01	Professional task chair RILU25-G	1	70 x 102-114 x 80
● RILU25-130101F02	Professional task chair RILU25-G	1	70 x 102-114 x 70
● RILU25-130101F03	Professional task chair RILU25-G	1	70 x 102-114 x 70
● RILU25-130101F04	Professional task chair RILU25-G	1	70 x 102-114 x 70
● RILU25-130101F05	Professional task chair RILU25-G	1	70 x 102-114 x 70
● RILU25-130101F06	Professional task chair RILU25-G	1	70 x 102-114 x 70
917	Ø6cm parquet castors - pack 5u (optional)	5	6 x 10 x 5

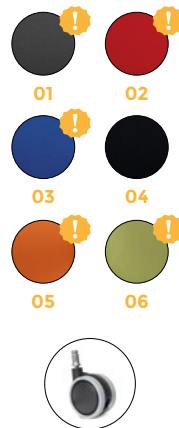
● Chair certified EN1335.

## RILU TASK CHAIRS BLACK FRAME



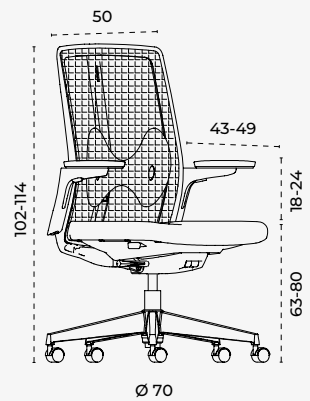
Professional office task chair with black frame, mesh backrest with lumbar adjustment and upholstered seat for maximum comfort. Features seat depth adjustment and 3-position synchro mechanism for ergonomic movement. Technical polymer base. 3D adjustable armrests included as standard for a personalised posture. Compatible with parquet castors model RD-917.

### UPHOLSTERY F



RD-917 (Optional)

Dimensions (cm)



castors = Ø 6

Ref.	Description	Qty.	cm (product)
● RILU25-130404F01	Professional task chair RILU25	1	70 x 102-114 x 70
● RILU25-130404F02	Professional task chair RILU25	1	70 x 102-114 x 70
● RILU25-130404F03	Professional task chair RILU25	1	70 x 102-114 x 70
● RILU25-130404F04	Professional task chair RILU25	1	70 x 102-114 x 70
● RILU25-130404F05	Professional task chair RILU25	1	70 x 102-114 x 70
● RILU25-130404F06	Professional task chair RILU25	1	70 x 102-114 x 70
917	Ø6cm parquet castors - pack 5u (optional)	5	6 x 10 x 5

● Chair certified EN1335.

! = Finishes on request

Dimensions = width x height x depth (cm)

# LIRA

With an elegant, lightweight and versatile design, the chairs of the LIRA collection have been created to naturally adapt to different spaces and everyday uses. Their balanced and resistant structure guarantees comfort and durability, even in intensive-use environments.

Thanks to their clean lines and the variety of available finishes, they integrate easily into offices, meeting rooms, waiting areas and contract spaces, providing order, comfort and a timeless style. The LIRA collection is the perfect solution for those seeking functionality and design in perfect harmony.



## LIRA-W TASK CHAIRS WHITE FRAME

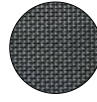


Professional office task chair with white frame, mesh seat and backrest for maximum comfort. Features height-adjustable seat and tilt mechanism. Technical polymer base providing stability and elegant design. 2D adjustable armrests included as standard for a personalised posture. Compatible with parquet castors model RD-917.

### FINISHES MESH M



01

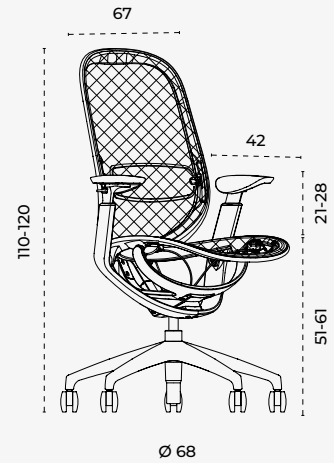


04



**RD-917**  
(Optional)

Dimensions (cm)



castors = Ø 6

Ref.	Description	Qty.	cm (product)
LIRA22-120808M01	Professional task chair LIRA22-W	1	68 x 110-120 x 68
LIRA22-120808M04	Professional task chair LIRA22-W	1	68 x 110-120 x 68
917	Ø6cm parquet castors - pack 5u (optional)	5	6 x 10 x 5

## LIRA TASK CHAIRS BLACK FRAME



Professional office task chair with black frame, mesh seat and backrest for maximum comfort. Features height-adjustable seat and tilt mechanism. Technical polymer base providing stability and elegant design. 2D adjustable armrests included as standard for a personalised posture. Compatible with parquet castors model RD-917.

### FINISHES MESH M



01

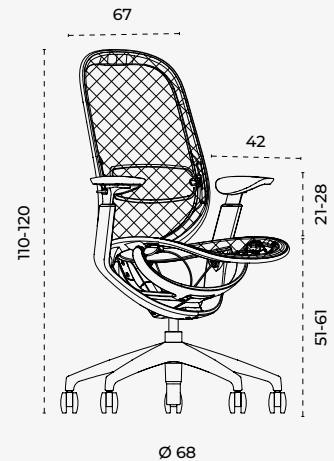


04



**RD-917**  
(Optional)

Dimensions (cm)



castors = Ø 6

Ref.	Description	Qty.	cm (product)
LIRA22-120404M01	Professional task chair LIRA22	1	68 x 110-120 x 68
LIRA22-120404M04	Professional task chair LIRA22	1	68 x 110-120 x 68
917	Ø6cm parquet castors - pack 5u (optional)	5	6 x 10 x 5

! = Finishes on request

Dimensions = width x height x depth (cm)

# ZYLA

With a sophisticated design and contemporary lines, the chairs of the ZYLA collection have been created to bring style, comfort and functionality to modern spaces. Their solid structure and studied ergonomics guarantee a comfortable and durable user experience in everyday use.

Thanks to their elegant aesthetics and the variety of available finishes, they integrate easily into offices, meeting rooms and waiting areas, adding personality and coherence to the environment. The ZYLA collection is the perfect choice for those seeking design, comfort and versatility in a single product.



## ZYLA FOLDING CHAIRS

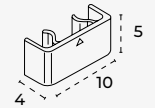
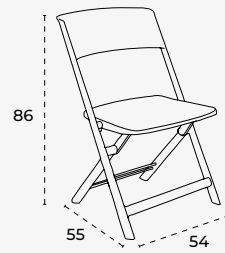


Minimalism and functionality in a single piece. This folding visitor chair made of technical polymer brings a contemporary touch to offices, waiting rooms and creative environments. Avant-garde design that harmonises aesthetics and comfort.

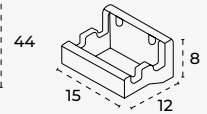
### TECHNICAL POLYMER A



Dimensions (cm)



Ref: ZYLA15



Ref: ZYLA20

Ref.	Description	Qty.	cm (product)
● ZYLA10-000404000	Folding chair ZYLA - Black	2	54 x 86 x 55
● ZYLA10-001111000	Folding chair ZYLA - Bronze	2	54 x 86 x 55
● ZYLA10-001212000	Folding chair ZYLA - White	2	54 x 86 x 55
● ZYLA10-000101000	Folding chair ZYLA - Light grey	2	54 x 86 x 55
ZYLA15-000100000	Connection piece for ZYLA chair - Grey	1	10 x 5 x 4
ZYLA20-000100000	Wall bracket for ZYLA chair - Grey	1	15 x 8 x 12

● Chair certified EN-16139.

## TROLLEY WITH WHEELS FOR ZYLA CHAIR

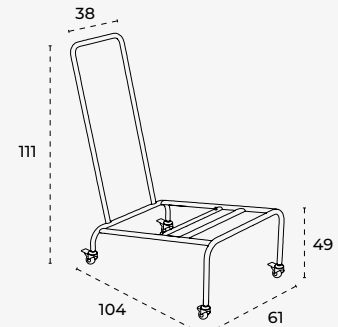


Metal trolley for transporting Zyla chairs in black finish equipped with 2 braked wheels and 2 swivel wheels for safe and comfortable handling. Maximum of 8 chairs per trolley.



RAL 9005

Dimensions (cm)



Ref.	Description	Qty.	cm (product)
● ZYLA25-000400000	Trolley with wheels for ZYLA chair - Black	1	104 x 111 x 61

● Mobile trolley to transport max 8 chairs.



! = Finishes on request

Dimensions = width x height x depth (cm)

# FLEXA

With a design focused on ergonomics and comfort, the chairs of the FLEXA collection have been developed to adapt to the demands of daily work. Their robust structure and multiple adjustment options promote a healthy posture, improving well-being and productivity.

Designed for professional environments where use is intensive, they integrate easily into offices, workspaces and corporate environments, providing functionality, comfort and a contemporary design. The ERGOLINE collection is the ideal solution for those who prioritize ergonomics, performance and durability.



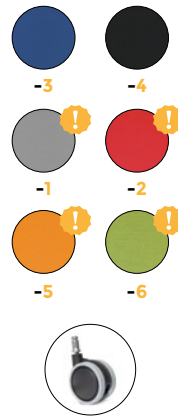
## FLEXA-W TASK CHAIR WHITE FRAME



Professional office task chair with white rear shell, seat depth adjustment and height-adjustable backrest, both upholstered in fire-retardant fabric. Injected polymer base and robust synchro mechanism. 3D adjustable armrests included as standard. Compatible with parquet castors RD-917.

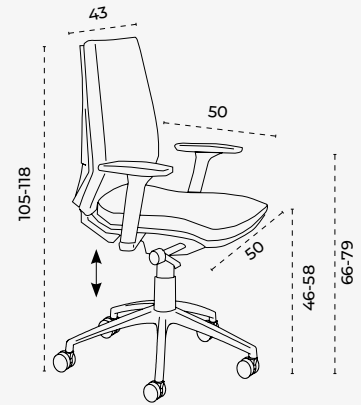
Easy assembly.

### UPHOLSTERY X



RD-917 (Optional)

Dimensions (cm)



castors = Ø 6,5

Ref.	Description	Qty.	cm (product)
922W-3	Professional task chair RD-922W	1	66 x 105-118 x 66
922W-4	Professional task chair RD-922W	1	66 x 105-118 x 66
922W-1	Professional task chair RD-922W	1	66 x 105-118 x 66
922W-2	Professional task chair RD-922W	1	66 x 105-118 x 66
922W-5	Professional task chair RD-922W	1	66 x 105-118 x 66
922W-6	Professional task chair RD-922W	1	66 x 105-118 x 66
917	Ø6cm parquet castors - pack 5u (optional)	5	6 x 10 x 5

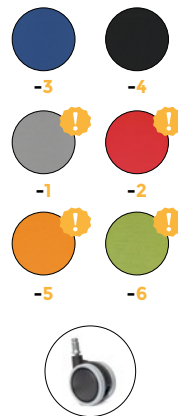
## FLEXA TASK CHAIR BLACK FRAME



Professional office task chair with seat depth adjustment and height-adjustable backrest, both upholstered in fire-retardant fabric. Injected polymer base and robust synchro mechanism. 3D adjustable armrests included as standard. Compatible with parquet castors RD-917.

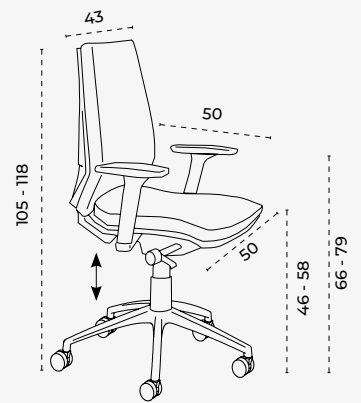
Easy assembly.

### UPHOLSTERY X



RD-917 (Optional)

Dimensions (cm)



castors = Ø 6,5

Ref.	Description	Qty.	cm (product)
922-3	Professional task chair RD-922	1	66 x 105-118 x 66
922-4	Professional task chair RD-922	1	66 x 105-118 x 66
922-1	Professional task chair RD-922	1	66 x 105-118 x 66
922-2	Professional task chair RD-922	1	66 x 105-118 x 66
922-5	Professional task chair RD-922	1	66 x 105-118 x 66
922-6	Professional task chair RD-922	1	66 x 105-118 x 66
917	Ø6cm parquet castors - pack 5u (optional)	5	6 x 10 x 5

# SLIM

With a refined design focused on simplicity and visual lightness, the chairs of the SLIM collection have been conceived to bring elegance and functionality to professional spaces. Their minimalist aesthetics, combined with a careful balance between comfort and proportion, make them an ideal option for meeting areas, waiting rooms and executive spaces. Designed to

integrate naturally into contemporary environments, SLIM chairs stand out for their clean lines, versatility and ability to provide a modern and sophisticated image without compromising comfort. The SLIM collection is the perfect choice for those seeking design, lightness and aesthetic coherence in every detail.



## SLIM VISITOR CHAIR

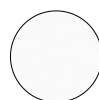


Stackable office visitor chair with sled base frame and seat and backrest made of FSC 100% certified beech wood. Metal frame epoxy-coated in colour according to model.

Supplied assembled.

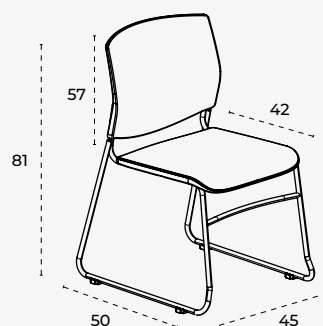


BK



WT

Dimensions (cm)



Ref.	Description	Qty.	cm (product)
931BK	Visitor chair RD-931 black	2	45 x 81 x 50
931WT	Visitor chair RD-931 white	2	45 x 81 x 50



# CHAIR COMPARISON DESIGN (AVON AND SITIA)



	AVON-A	AVON-C	AVON-D	AVON-E	AVON-F	AVON-G
Height adjustment	○	○	○	○	○	○
Seat depth adjustment	○	○	○	○	○	○
Backrest height adjustment	○	○	○	○	○	○
Lumbar adjustment	○	○	○	○	○	○
Armrest adjustment	-	-	-	-	-	-
Seat mechanisms	-	-	-	-	-	-
Structure materials	Steel / Technical polymer	Steel	Natural wood	Steel	Steel	Steel
Structure finishes	●	●	●	●	●	●
Seat materials	Upholstered	Upholstered	Upholstered	Upholstered	Upholstered	Upholstered
Seat finishes						
Headrest	-	-	-	-	-	-
Optional accessories	-	-	-	-	-	-
User (max. kg)	125 Kg	125 Kg	125 Kg	125 Kg	125 Kg	125 Kg
Recommended usage time	5 h	5 h	5 h	5 h	5 h	5 h
Certification	In process	In process	In process	In process	In process	In process



GLAB

VANU

RILU

LIRA

ZYLA

FLEXA

SLIM

							Height adjustment
							Seat depth adjustment
							Backrest height adjustment
							Lumbar adjustment
5D	4D	3D	2D	–	3D	–	Armrest adjustment
Synchro-tilt	Synchro-tilt	Synchro-tilt	Synchro-tilt	–	Synchro-tilt	–	Seat mechanisms
Steel / Technical polymer	Steel / Technical polymer / Aluminium	Steel / Technical polymer	Steel / Technical polymer	Technical polymer	Steel / Technical polymer	Steel	Structure materials
							Structure finishes
Mesh	Upholstered	Upholstered	Mesh	Technical polymer	Upholstered	Natural wood	Seat materials
							Seat finishes
Included	On request	On request	–	–	On request	–	Headrest
Parquet castors RD-917	Parquet castors RD-917	Parquet castors RD-917	Parquet castors RD-917	Linking piece / Wall bracket / Trolley	Parquet castors RD-917	–	Optional accessories
125 Kg	125 Kg	125 Kg	125 Kg	100 Kg	100 Kg	100 Kg	User (max. kg)
12 h	12 h	12 h	12 h	5 h	12 h	5 h	Recommended usage time
In process	EN1335	EN1335	In process	EN16139	In process	In process	Certification

# SKIN

## **Modularity that shapes your ideas.**

SKIN modular boards represent an evolution compared to conventional whiteboards. They enhance visual communication and easily adapt to any professional, educational or corporate environment. Their lightness and ease of transport and installation make them a particularly practical option for dynamic spaces.

*Per ogni un punto, a volte da uno in genere si fanno da 2-3 idee, alcune "Brain" di molto.*

```
graph TD;
  ROGADA --- PROF1[PROF. 1];
  ROGADA --- PROF2[PROF. 2];
  ROGADA --- PROF3[PROF. 3];
  ROGADA --- PROF4[PROF. 4];
  ROGADA --- SENSITIVE[SENSITIVE];
  SENSITIVE --- PROF5[PROF. 5];
  SENSITIVE --- PROF6[PROF. 6];
```

*Quali sono i punti di forza? Quali sono i punti di debolezza?*

*Se si sa come fare, non si sa per quale di...*

*Perché la popolazione sta aumentando, però la presenza della del habitat, da questo...*

**ROGADA**

**SENSITIVE**

PROF. 1  
PROF. 2  
PROF. 3  
PROF. 4  
PROF. 5  
PROF. 6

Business plan image: **BIANCA**, **LINEA**, **UNICEL**, **LINNETA**, **ES**, **ES**

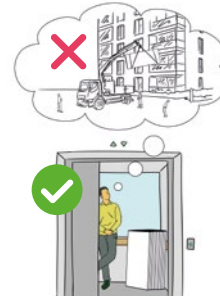
# SKIN

Modular SKINs offer significant advantages over traditional whiteboards. Its modular structure and finishes allow you to improve communication in any environment. In addition, they are easy to transport and install, making them very practical and versatile. Some models also have German GS certification, which guarantees safety, quality and continuity in the production of the product, giving the user a feeling of security when purchasing. SKIN is undoubtedly an excellent option for improving communication in any environment, offering practical and aesthetic advantages over traditional whiteboards.

## MODULAR WHITEBOARD



Easy transport



Easy access

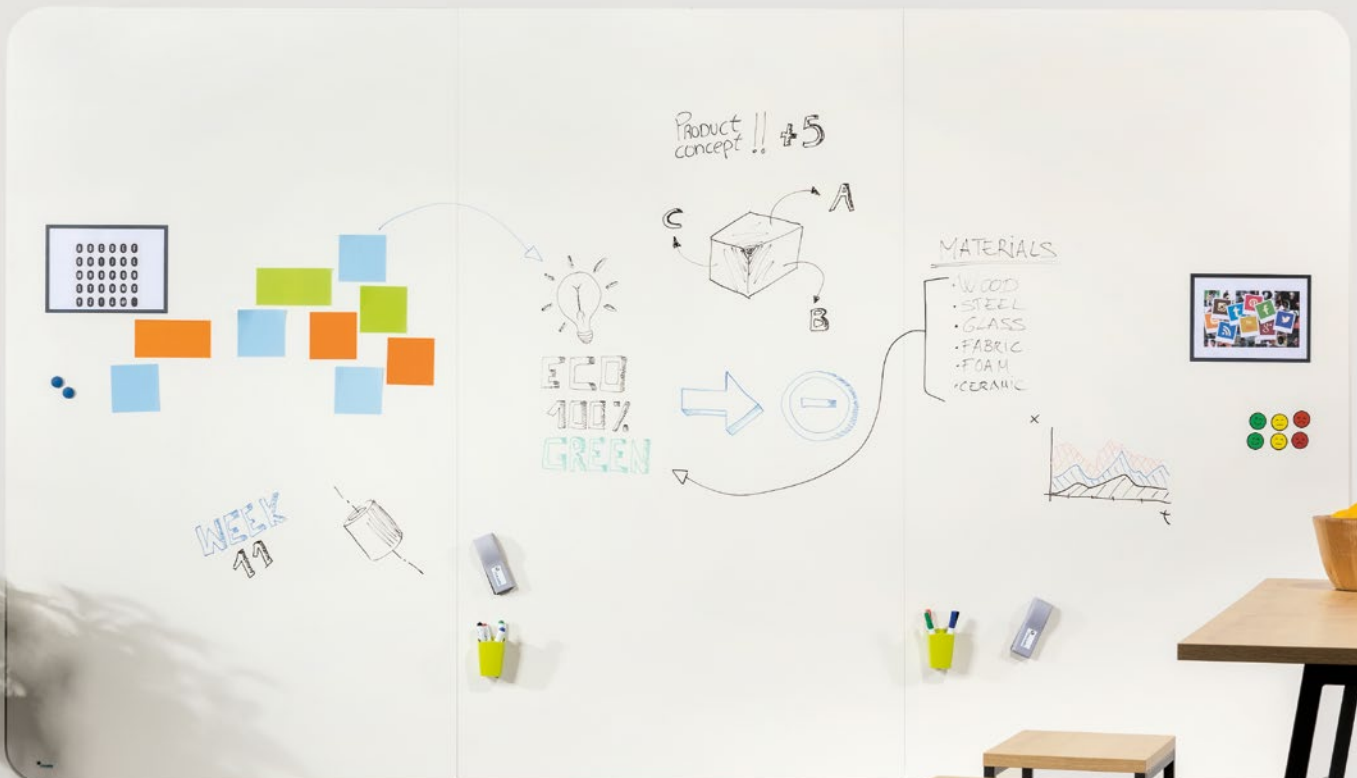


Easy installation



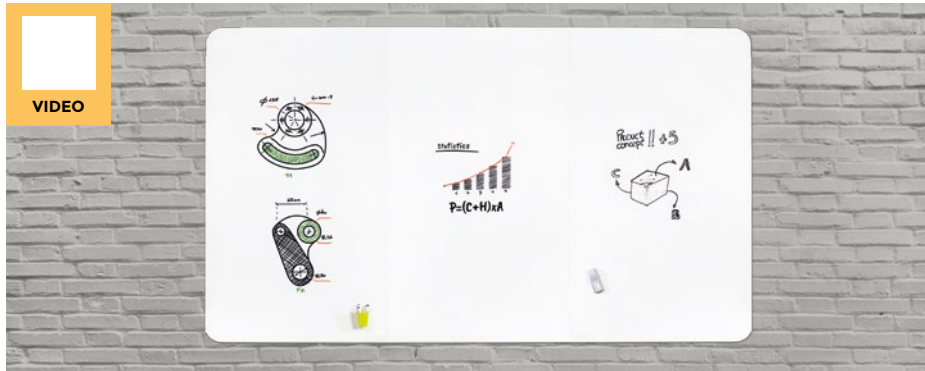
Reference  
to be consulted.

VIDEO



SKIN

## SKIN CERAMIC



Skin CERAMIC is a large-format modular board, Frameless and with magnetic fixing, allowing writing surfaces of any size by joining modules vertically or horizontally, from a single unit to covering an entire wall.

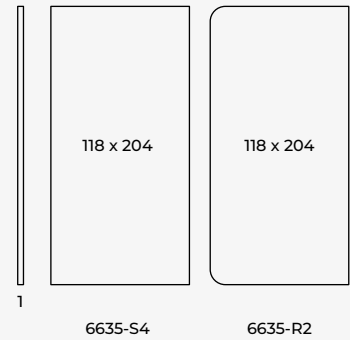
Its vitrified finish makes it ideal for frequent-use environments, ensuring continuous writing, minimal maintenance, and maximum durability. It is perfect for teams where visualizing project stages is essential.



(RAL 9003)

Dimensions (cm)

Updated product



6635-S4

6635-R2

secure packaging

warranty years **25**

Ref.	Description	Qty.	cm (surface)
6635-S4	White enamelled SKINWHITEBOARD with 4 straight corners	1	118 x 204
6635-R2	White enamelled SKINWHITEBOARD with 2 rounds corners	1	118 x 204

## SKIN PRO



Skin PRO-DUO is a 200 x 100 cm modular board made up of two 100 x 100 cm panels, Frameless and with magnetic fixing. It allows the writing surface to be expanded by joining modules vertically or horizontally, from a single unit to covering an entire wall.

Its additional polymer (PET) protective finish makes it ideal for frequent use, ensuring continuous writing, low maintenance, and high durability.

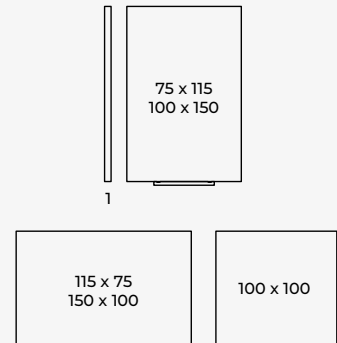


(RAL 9003)



(RAL 9006)

Dimensions (cm)



secure packaging

warranty years **15**



Reference to be consulted

Ref.	Description	Qty.	cm (surface)
6520PRO	SKINWHITEBOARD professional - Additional protection (PET) - White	1	75 x 115
6525PRO	SKINWHITEBOARD professional - Additional protection (PET) - White	1	100 x 100
6521PRO	SKINWHITEBOARD professional - Additional protection (PET) - White	1	100 x 150
6520PRO-9006	SKINWHITEBOARD professional - Additional protection (PET) - Silver	1	75 x 115
6521PRO-9006	SKINWHITEBOARD professional - Additional protection (PET) - Silver	1	100 x 150

Silver finishes available until stocks last

= Finishes on request

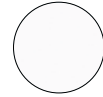
Dimensions = width x height x depth (cm)

## SKIN PRO-DUO



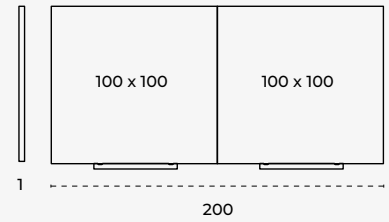
Skin PRO-DUO is a 200 x 100 cm modular board made up of two 100 x 100 cm panels, Frameless and with magnetic fixing. It allows the writing surface to be expanded by joining modules vertically or horizontally, from a single unit to covering an entire wall.

Its additional polymer (PET) protective finish makes it ideal for frequent use, ensuring continuous writing, low maintenance, and high durability.



(RAL 9003)

Dimensions (cm)



secure packaging

warranty years **15**

Ref.	Description	Qty.	cm (surface)
6525PRO-DUO	SKINWHITEBOARD professional of 2 modules of 100x100 cm Additional protection (PET) - White	1	200 x 100

## SKIN COLOUR

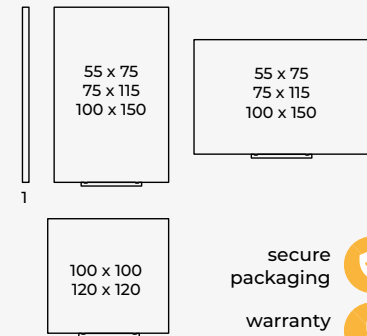


Reference to be consulted.

Skin COLOUR is a Frameless modular board and multifunctional panel with magnetic fixing. It allows vertical or horizontal compositions, from a single unit to covering an entire wall, adapting to the needs of the space. Its finishes and accessories enhance its functionality.

Compatible with dry erase markers, it supports color-coded organization, department customization, and improves information visibility, adding a modern and fresh touch to any environment.

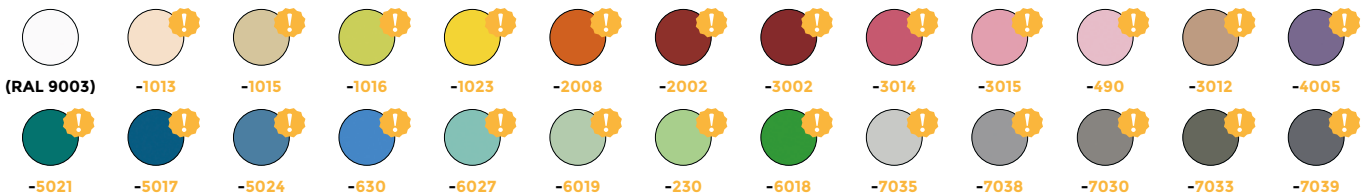
Dimensions (cm)



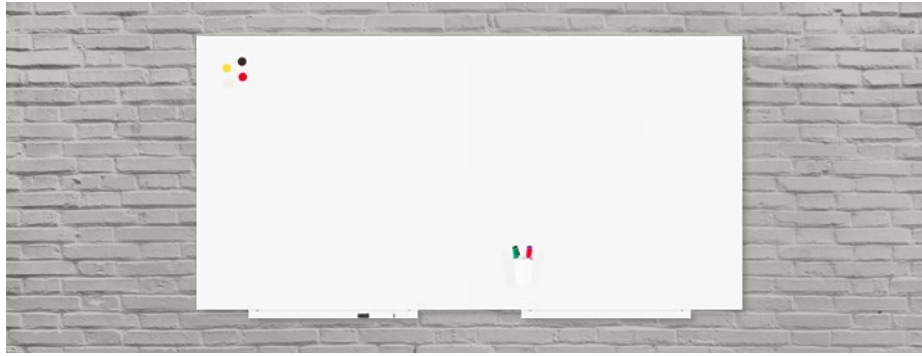
secure packaging

warranty years **5**

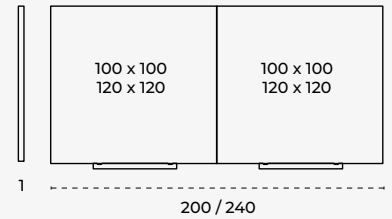
Ref.	Description	Qty.	cm (surface)
6419R	SKINWHITEBOARD lacquered surface - White	1	55 x 75
6420R	SKINWHITEBOARD lacquered surface - White	1	75 x 115
6425R	SKINWHITEBOARD lacquered surface - White	1	100 x 100
6426R	SKINWHITEBOARD lacquered surface - White	1	120 x 120
6421R	SKINWHITEBOARD lacquered surface - White	1	100 x 150
6419R-COLOUR	SKINWHITEBOARD lacquered surface	1	55 x 75
6420R-COLOUR	SKINWHITEBOARD lacquered surface	1	75 x 115
6425R-COLOUR	SKINWHITEBOARD lacquered surface	1	100 x 100
6426R-COLOUR	SKINWHITEBOARD lacquered surface	1	120 x 120
6421R-COLOUR	SKINWHITEBOARD lacquered surface	1	100 x 150



## SKIN DUO



Dimensions (cm)



Skin DUO is a Frameless modular board with magnetic fixing, available in 200 x 100 cm or 240 x 120 cm depending on the model. It allows large writing surfaces by joining modules vertically or horizontally, adapting from a single unit to covering an entire wall. Its finishes and accessories enhance its functionality.

Compatible with dry erase markers, it facilitates color-coded organization, space customization, and improves information visibility, bringing a modern and contemporary style to any environment.



secure packaging

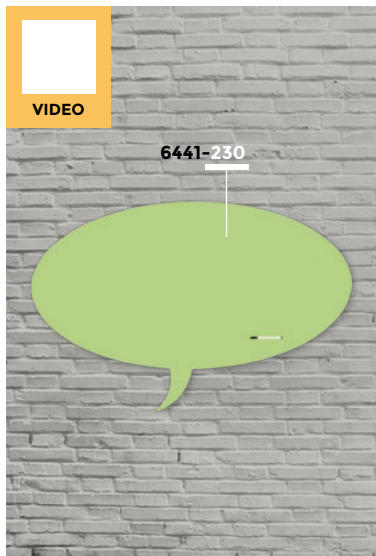


warranty years

5

Ref.	Description	Qty.	cm (surface)
6425DUO	SKINWHITEBOARD of 2 modules of 100x100 cm - White	1	200 x 100
6426DUO	SKINWHITEBOARD of 2 modules of 120x120 cm - White	1	240 x 120

## SKIN SHAPE

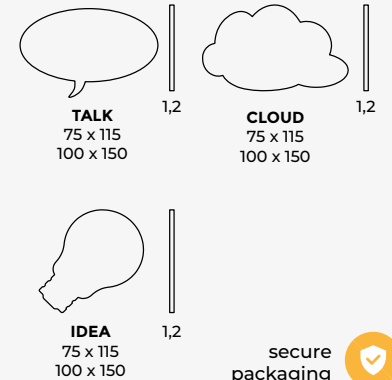


Skin SHAPE are metal, magnetic, Frameless whiteboards with 3 innovative shapes to choose from:

- Skin TALK: Dialog visual
- Skin CLOUD: Cloud visual
- Skin IDEA: Light bulb visual

The innovative attachment system allows for easy and economical installation. The different finishes are fully compatible with dry erase markers and the designs will give your office a modern and more creative touch, bringing a more casual appearance to your space and making your presentations more visual and effective.

Dimensions (cm)



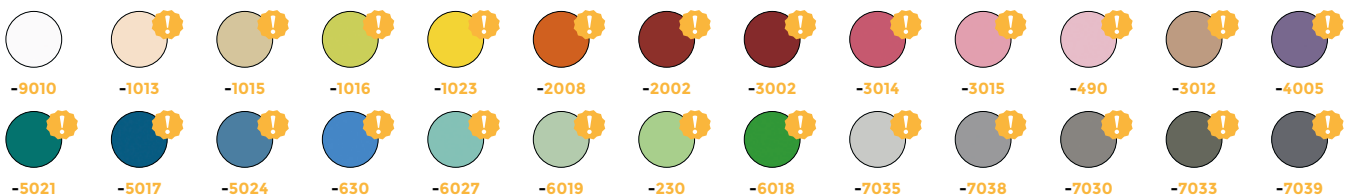
secure packaging



warranty years

5

Ref.	Description	Qty.	cm (surface)
6440-COLOUR	Skinshape TALK lacquered surface	1	75 x 115
6441-COLOUR	Skinshape TALK lacquered surface	1	100 x 150
6450-COLOUR	Skinshape CLOUD lacquered surface	1	75 x 115
6451-COLOUR	Skinshape CLOUD lacquered surface	1	100 x 150
6460-COLOUR	Skinshape IDEA lacquered surface	1	75 x 115
6461-COLOUR	Skinshape IDEA lacquered surface	1	100 x 150



! = Finishes on request

Dimensions = width x height x depth (cm)



## SKIN MUTE



Skin MUTE combines design and acoustic comfort. Made from a 9mm PET sheet and MDF slats with a rectangular section, it brings warmth and functionality. Its minimalist aesthetic integrates seamlessly into modern environments and perfectly complements the rest of the Skin program. Thanks to its SKIN BITS accessories, functionality is maximized.

### PET WOOD FINISHES

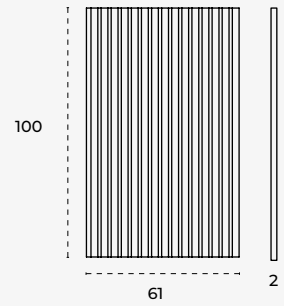


70  
Wood  
slats



71  
Dark wood  
slats

Dimensions (cm)



secure packaging

Ref.	Description	Qty.	cm (surface)
SK10-1061-04XX	Slatted wood SKINWHITEBOARD	1	61 x 100

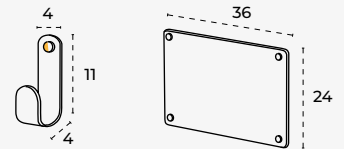
## SKIN BITS



The Skin BITS accessory range is designed to enhance the versatility of Skin MUTE, offering practical and aesthetic solutions for any space. From holders and organisers to decorative elements.

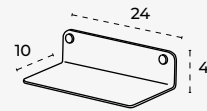


Dimensions (cm)



Ref. SK15-A

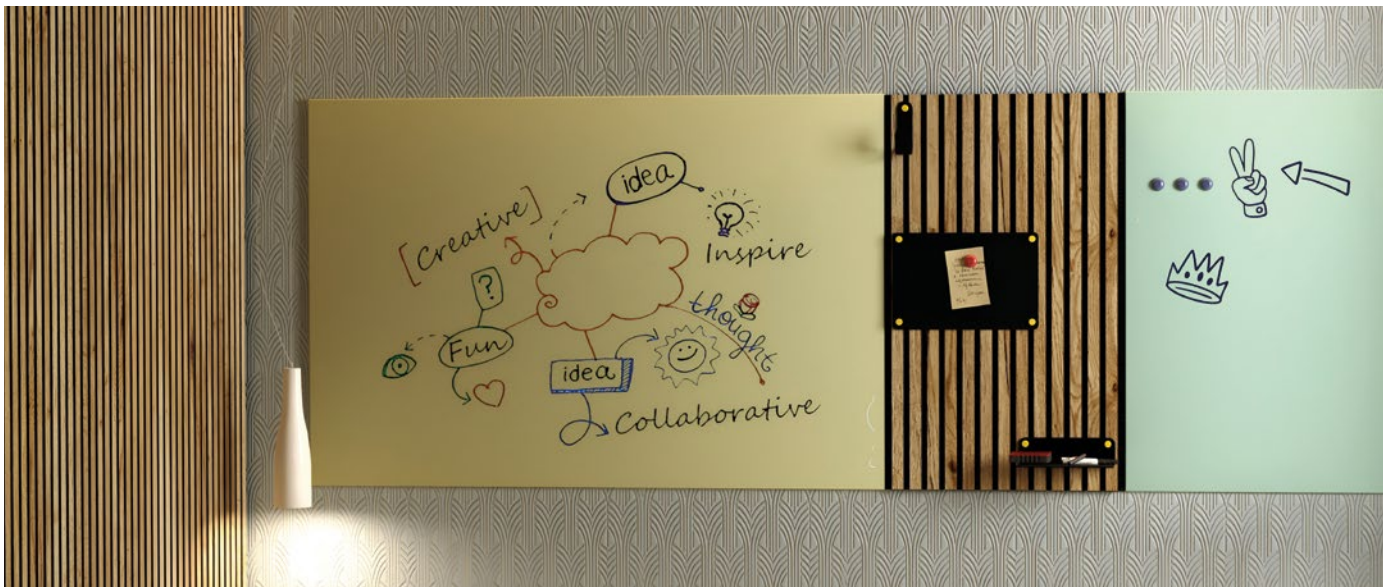
Ref. SK15-B



Ref. SK15-C

Ref.	Description	Qty.	cm (product)
SK15-A0000-9005	Skin BITS coat hook accessory	1	4 x 11 x 4
SK15-B0000-9005	Metal panel accessory suitable for magnets Skin BITS	1	36 x 24 x 1,5
SK15-C0000-9005	Skin BITS tray accessory	1	24 x 4 x 10

SK15-B accessory not suitable for writing.



= Finishes on request

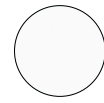
Dimensions = width x height x depth (cm)

## SKIN MATT



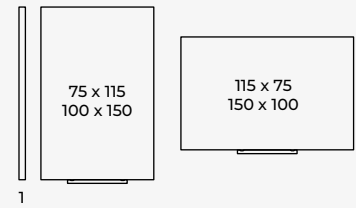
Skin MATT is a Frameless modular board and multifunctional panel with magnetic fixing, allowing vertical or horizontal compositions from a single unit to covering an entire wall. Its finishes and accessories enhance its functionality.

Thanks to its matte finish, it can be used as a projection screen and is fully compatible with dry erase markers. It offers easy erasing and efficient maintenance, with high alcohol tolerance for cleaning and simple care using dedicated cleaning sprays.



(RAL 9003)

Dimensions (cm)

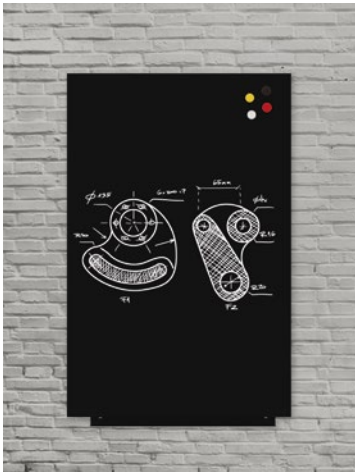


secure packaging

Ref.	Description	Qty.	cm (surface)
6420MATT	Skin MATT lacquered matte surface	1	75 x 115
6421MATT	Skin MATT lacquered matte surface	1	100 x 150

● Skin MATT whiteboard surfaces can be cleaned with alcohol.

## SKIN LIQUID

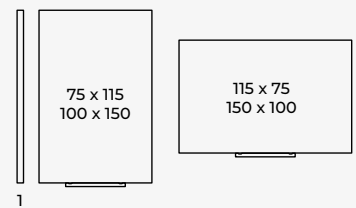


Its lacquered, black, magnetic finish allows the Skin LIQUID to be used with liquid chalk markers and/or dry erase markers. Ideal for restaurants, bars and shops. Its excellent modularity allows you to create all kinds of configurations that fit in with your current requirements.



(RAL 9005)

Dimensions (cm)



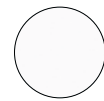
secure packaging

Ref.	Description	Qty.	cm (surface)
6820V19	Skin LIQUID lacquered surface - black - liquid chalk markers	1	75 x 115
6821V19	Skin LIQUID lacquered surface - black - liquid chalk markers	1	100 x 150

## SKIN AGILE

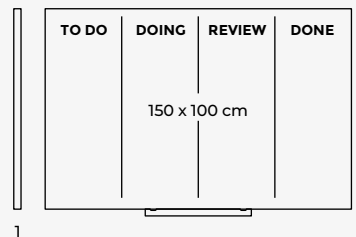


Designed to be a control and organizational table, to enhance efficiency within team and to allow different working methodologies to be applied when executing projects that require speed and flexibility. Ideal for easily and conveniently reporting, visualizing and identifying exactly what phase each pending task is in.



(RAL 9003)

Dimensions (cm)



Updated product

secure packaging

Ref.	Description	Qty.	cm (surface)
6421AG	Skin AGILE lacquered surface	1	100 x 150

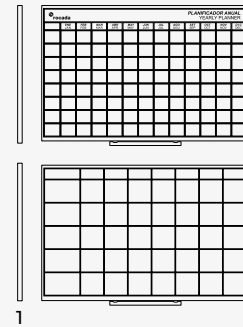
## SKIN PLANNER



Skin PLANNER is especially designed for planning meetings, presentations, visits, etc. Annual layout comes as standard, though there is another, completely customizable version, providing templates in 4 languages, with multiple options: Numbers, days of the week, process states, etc. Whiteboard fully compatible with dry erase markers.



Dimensions (cm)



Updated product

Ref. 6420YP  
115 x 75

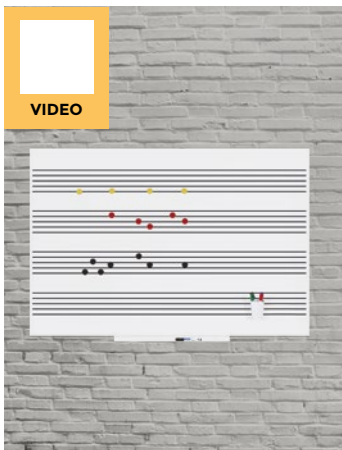
Ref. 6420UP  
115 x 75

secure packaging

Ref.	Description	Qty.	cm (surface)
6420YP	Skin PLANNER yearly layout - lacquered - white	1	75 x 115
6420UP	Skin PLANNER universal layout - lacquered - white	1	75 x 115

● Adhesive template included.

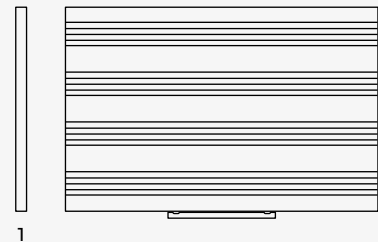
## SKIN MUSIC



Thanks to its new pentagram finish and the modularity of the SKIN system, the Skin MUSIC system stands out as one of the best tools for studying and creating all kinds of music. Its pentagram finish is fully compatible with dry erase markers.



Dimensions (cm)



Updated product

secure packaging

Ref.	Description	Qty.	cm (surface)
6421RMH	Skin MUSIC lacquered surface - white - 4 pentagram	1	150 x 100

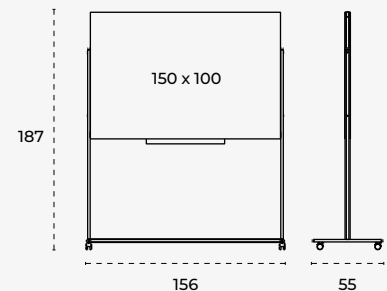
## SKIN SUPPORT



Skin SUPPORT is the movable double-sided support for the SKINWHITEBOARD whiteboard range. They are very robust and have a simple aesthetic design. Magnetic fixing system using the patented Skin system. The support allows you to attach a board on each side, allowing you to have a two-sided board. Compatible with Skin PRO, Skin COLOUR, Skin AGILE, Skin MATT, Skin MUSIC, Skin LIQUID and Skin MAP boards measuring 100 x 150 cm. Whiteboards not included.



Dimensions (cm)



Ref.	Description	Qty.	cm (product)
6875	Skinsupport, mobile support for SKINWHITEBOARD 150x100cm	1	187 x 150 x 55

● SKINWHITEBOARD not included.

! = Finishes on request

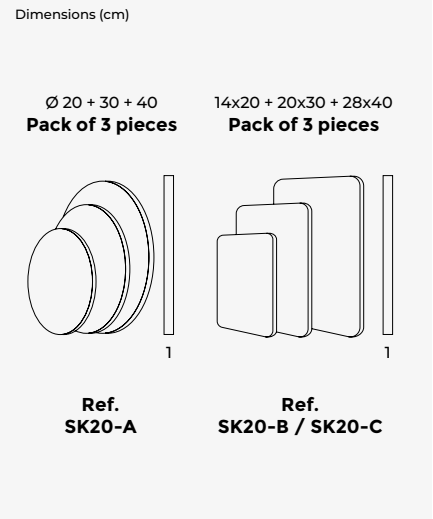
Dimensions = width x height x depth (cm)



## SKIN TAG

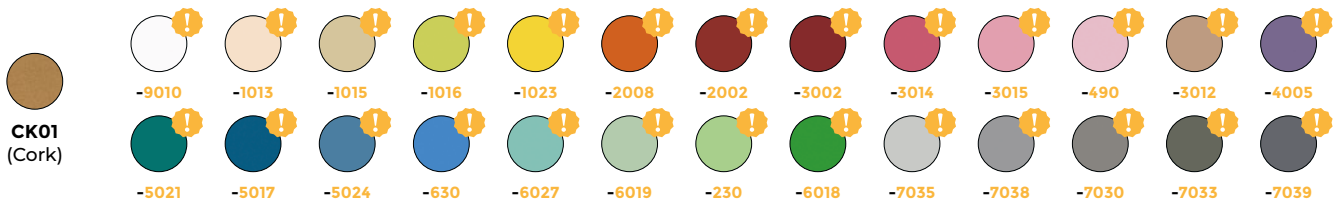


Range of magnetic Skin TAG accessories that enhance the functionality of Skin boards. Available in different sizes and finishes, they are perfect for organising and customising your ideas. Ideal for presentations, meetings and creative spaces.



Ref.	Description	Qty.	cm (product)
● SK20-A0000-CK01	Set of 3 Skin TAG pieces round shape - cork	3	40 x 40 x 1
● SK20-B0000-CK01	Set of 3 Skin TAG pieces rectangular shape - cork	3	40 x 28 x 1
● SK20-C0000-XXXX	Set of 3 Skin TAG pieces rectangular shape - lacquered according to model	3	40 x 28 x 1

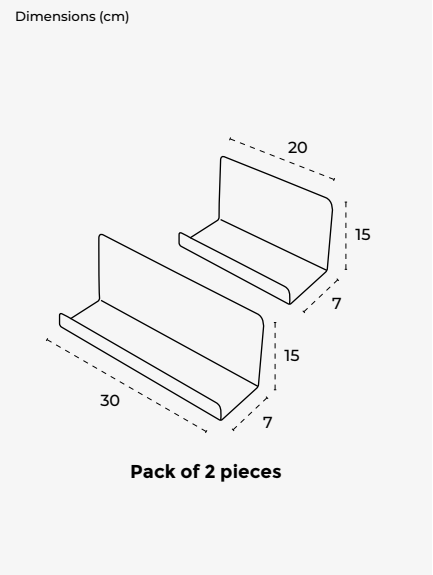
● Pack consisting of 3 pieces - 1 unit of each size.



## SKIN BOX

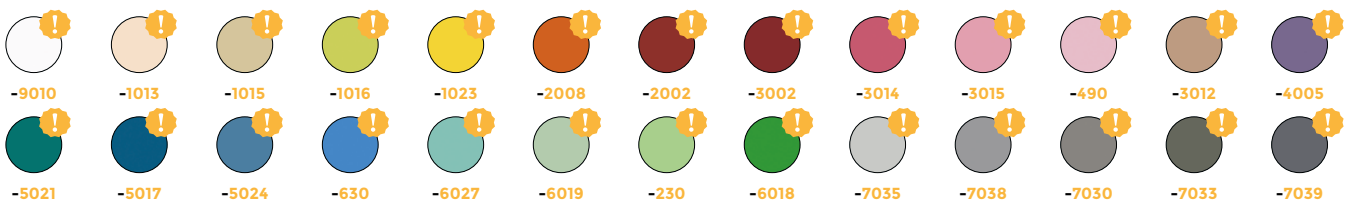


Range of magnetic Skin BOX accessories designed to organise and store your usual tools during presentations or work meetings. Their simple and modular design allows permanent adaptation.



Ref.	Description	Qty.	cm (product)
● SK30-A0000-XXXX	Set of 2 Skin BOX pieces - lacquered colour according to model	2	30 x 15 x 7

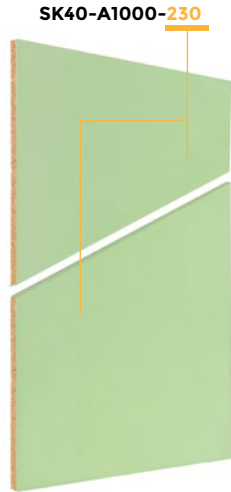
● Pack consisting of 2 pieces - 1 unit of each size.



! = Finishes on request

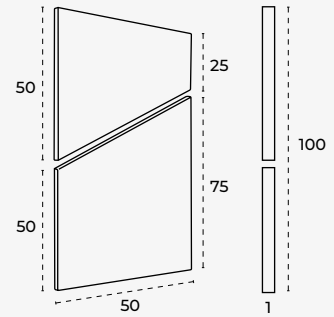
Dimensions = width x height x depth (cm)

## SKIN FLAKES



Skin FLAKES accompanies your ideas with style and versatility. Its trapezoidal shape and modular design allow endless combinations to bring dynamism to communication on your Skin boards. Combine as you wish and express your ideas with the same clarity as always.

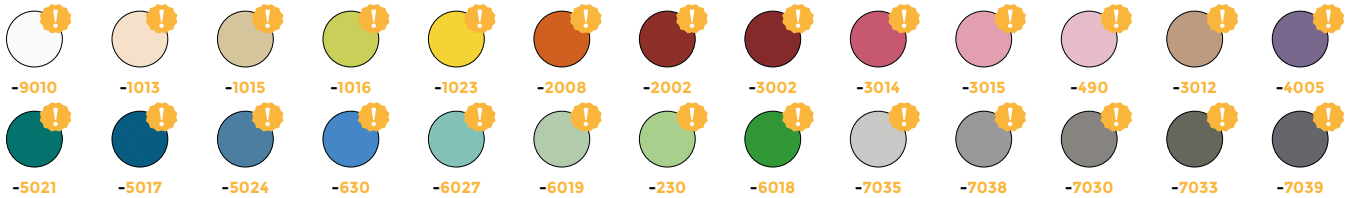
Dimensions (cm)



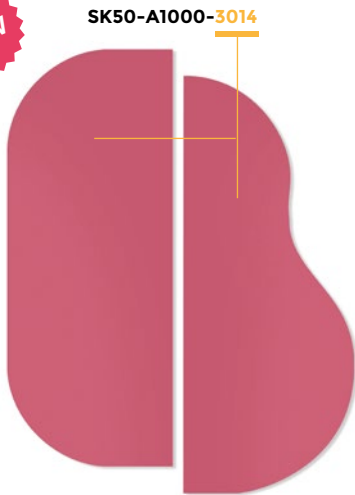
Pack of 2 pieces

Ref.	Description	Qty.	cm (product)
● SK40-A1000-XXXX	Set of 2 Skin FLAKES pieces - lacquered colour according to model	2	100 x 50 x 1

● Pack consisting of 2 pieces - 1 unit of each size.

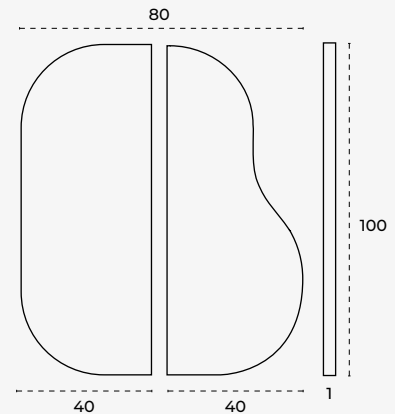


## SKIN EDGE



Skin EDGE are terminals designed for the Skin series that provide design and formal quality, humanising structural and organisational needs in any presentation and creating elegant and functional integration in every space.

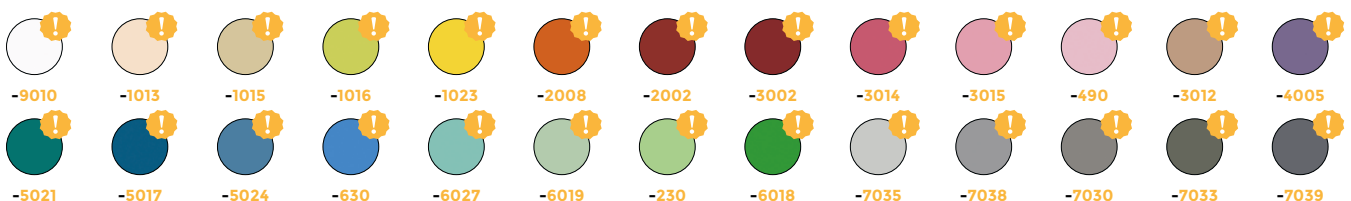
Dimensions (cm)



Pack of 2 pieces

Ref.	Description	Qty.	cm (product)
● SK50-A1000-XXXX	Kit of 2 Skin EDGE pieces - lacquered colour according to model	2	100 x 80 x 1

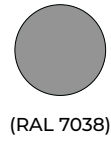
● Pack composed of 2 pieces - 1 unit of each size.



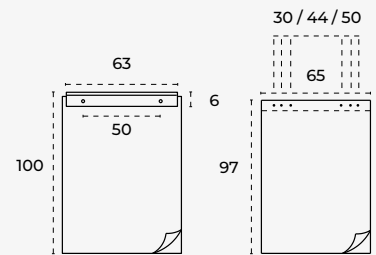
## SKIN BLOCK



Skin BLOCK is the perfect accessory to fit any SKINWHITEBOARD. It includes attachments and a 20-sheet block of 70 g paper. Easy installation and easy replacement makes communication agile at all times.



Dimensions (cm)



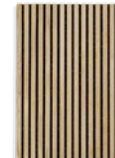
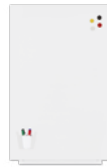
Ref.	Description	Qty.	cm (product)
6430R	Paperclamp and paperblock accessory for the Skin range	1	65 x 100 x 1,2



# COMPARISON AND TYPES OF SKIN



Reference  
to be consulted



**Skin CERAMIC**

**Skin PRO  
Skin PRO-DUO**

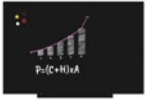
**Skin COLOUR  
Skin DUO**

**Skin SHAPE**

**Skin MUTE**

**Skin MATT**

Warranty years	25	15	5	5	3	3
GS certification	<input type="radio"/>	<input checked="" type="radio"/>	<input checked="" type="radio"/>	<input type="radio"/>	<input type="radio"/>	<input type="radio"/>
Frequency of use	★★★★★	★★★★☆	★★★★☆	★★★★☆	★★★★☆	★★★★☆
Magnetic	<input checked="" type="radio"/>	<input checked="" type="radio"/>	<input checked="" type="radio"/>	<input checked="" type="radio"/>	<input type="radio"/>	<input checked="" type="radio"/>
Surface type Markers	Enamelled	Lacquered with additional protection (PET)	Lacquered	Lacquered	Lacquered	Matte lacquered
Markers	Dry-erase	Dry-erase	Dry-erase	Dry-erase	-	Dry-erase
Tray fixing type	-	"Click" system	"Click" system	Magnetic	Pressure-fit	"Click" system
Projection suitable surface	<input type="radio"/>	<input type="radio"/>	<input type="radio"/>	<input type="radio"/>	<input type="radio"/>	<input checked="" type="radio"/>
Scratch resistance	<input checked="" type="radio"/>	<input type="radio"/>	<input type="radio"/>	<input type="radio"/>	<input type="radio"/>	<input type="radio"/>
Alcohol-resistant surface	<input checked="" type="radio"/>	<input checked="" type="radio"/>	<input type="radio"/>	<input type="radio"/>	<input type="radio"/>	<input checked="" type="radio"/>
Cleaning type	Water / alcohol for spot cleaning	Water / alcohol for spot cleaning	Water regularly	Water regularly	Water regularly	Water / alcohol for spot cleaning
Compatible with SkinSUPPORT	<input type="radio"/>	<input checked="" type="radio"/>	<input checked="" type="radio"/>	<input type="radio"/>	<input type="radio"/>	<input checked="" type="radio"/>
Compatible with SkinBLOCK	<input type="radio"/>	<input checked="" type="radio"/>	<input checked="" type="radio"/>	<input type="radio"/>	<input type="radio"/>	<input checked="" type="radio"/>
Units per pallet	10 approximate units	40 approximate units	40 approximate units	40 approximate units	30 approximate units	40 approximate units



**Skin LIQUID**

**Skin AGILE**

**Skin PLANNER**

**Skin MUSIC**

**Skin TAG**

**Skin FLAKES**

**Skin EDGE**

3	3	3	3	5	5	5	Warranty years
<input type="radio"/>	<input type="radio"/>	<input type="radio"/>	<input type="radio"/>	<input type="radio"/>	<input type="radio"/>	<input type="radio"/>	GS certification
★☆☆☆☆	★★★★☆	★★★★☆	★★★★☆	★★★★☆	★★★★☆	★★★★☆	Frequency of use
<input checked="" type="radio"/>	<input checked="" type="radio"/>	<input checked="" type="radio"/>	<input checked="" type="radio"/>	<input checked="" type="radio"/>	<input checked="" type="radio"/>	<input checked="" type="radio"/>	Magnetic
Lacquered	Lacquered	Lacquered	Lacquered	Lacquered	Lacquered	Lacquered	Surface type Markers
Liquid chalk	Dry-erase	Dry-erase	Dry-erase	Dry-erase	Dry-erase	Dry-erase	Markers
"Click" system	"Click" system	"Click" system	"Click" system	-	-	-	Tray fixing type
<input type="radio"/>	<input type="radio"/>	<input type="radio"/>	<input type="radio"/>	<input type="radio"/>	<input type="radio"/>	<input type="radio"/>	Projection suitable surface
<input type="radio"/>	<input type="radio"/>	<input type="radio"/>	<input type="radio"/>	<input type="radio"/>	<input type="radio"/>	<input type="radio"/>	Scratch resistance
<input type="radio"/>	<input type="radio"/>	<input type="radio"/>	<input type="radio"/>	<input type="radio"/>	<input type="radio"/>	<input type="radio"/>	Alcohol-resistant surface
Water regularly	Water regularly	Water regularly	Water regularly	Water regularly	Water regularly	Water regularly	Cleaning type
<input checked="" type="radio"/>	<input checked="" type="radio"/>	<input checked="" type="radio"/>	<input checked="" type="radio"/>	<input type="radio"/>	<input type="radio"/>	<input type="radio"/>	Compatible with SkinSUPPORT
<input checked="" type="radio"/>	<input checked="" type="radio"/>	<input checked="" type="radio"/>	<input checked="" type="radio"/>	<input type="radio"/>	<input type="radio"/>	<input type="radio"/>	Compatible with SkinBLOCK
40 approximate units	30 approximate units	30 approximate units	30 approximate units	40 approximate units	40 approximate units	40 approximate units	Units per pallet

# NATURAL

## **Natural warmth that shapes your ideas.**

NATURAL boards represent an evolution compared to conventional solutions. Their wooden design brings balance, visual comfort and a welcoming aesthetic that transforms workspaces.

Designed to integrate harmoniously into professional, educational or corporate environments, they combine functionality and design to enhance creativity and communication in more human and inspiring settings.



# NATURAL

Shapes inspired by nature. The NATURAL collection is the result of our years of experience in which we have tried to return to our environment the simplicity and balance inherent in every natural element. Forms, materials, concepts, relationships, ... words that define a transversal framework to become another part of an ecosystem where everything has a meaning and a

function, so that the natural rhythm continues its historical course. It seeks to simulate the natural to enhance its benefits, senses and vital functions. Origins of different principles that come together to achieve a formal and sensory balance.



## MULTIFUNCTIONAL MOBILE FLIPCHART

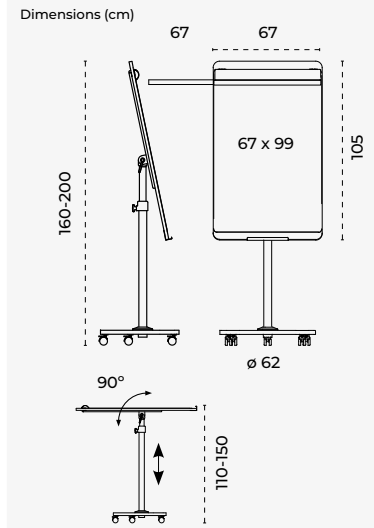


Mobile magnetic flipchart from the NATURAL range with a structure combining steel and wood-finished melamine. Lacquered surface suitable for writing with dry-erase markers. Melamine base with 5 wheels. Universal paper block holder. Height adjustable up to 200 cm with springs. Its adjustments allow for use in various positions, facilitating work even for people with reduced mobility. Its unique rotation system in the market allows it to transform into a table by turning the surface to a horizontal position. Includes 2 extendable side arms to display two sheets of paper simultaneously in presentations.

Easy assembly.



(Oak / RAL 9003)



Ref.	Description	Qty.	cm (product)
NAT0618	Mobile lacquered flipchart with 2 arms transformable into a table	1	69 x 160-200 x 62

## MOBILE FLIPCHART

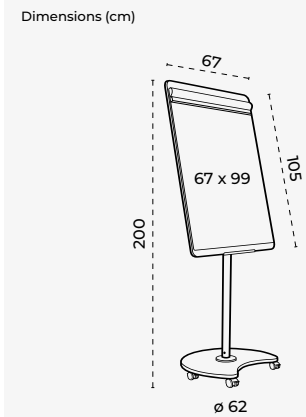


Mobile magnetic flipchart from the NATURAL range with a structure combining steel and wood-finished melamine. Lacquered surface suitable for writing with dry-erase markers. Melamine base with 5 wheels. Universal paper block holder. Includes 2 side arms as standard.

Easy assembly.



(Oak / RAL 9003)



Ref.	Description	Qty.	cm (product)
NAT0616	Mobile lacquered flipchart with 2 arms	1	69 x 200 x 62

## TRIPOD FLIPCHART

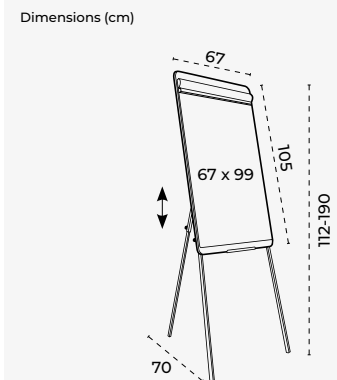


Magnetic tripod flipchart from the NATURAL range with great stability, featuring a structure combining steel and wood-finished melamine. Lacquered surface suitable for writing with dry-erase markers. Universal paper block holder. Height adjustable up to 195 cm with a writing surface of 67 x 99 cm. Includes 1 telescopic arm.

Easy assembly.



(Oak / RAL 9003)



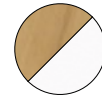
Ref.	Description	Qty.	cm (product)
NAT0610	Lacquered metal tripod flipchart with 1 arm	1	67 x 112-190 x 70

## MOBILE WHITEBOARD (DOBLE SIDE)



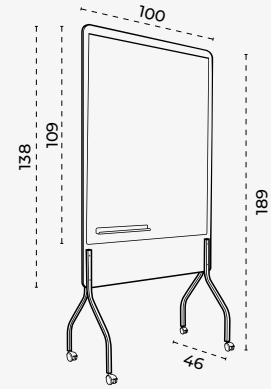
Double-sided mobile stand from the NATURAL range, with lacquered boards on both sides fully compatible with dry-erase markers. A mobile stand that combines steel and melamine with a modern and minimalist design. It has wheels with brakes for easy movement and mobility. Useful writing surface measurement of 92 x 125 cm on both sides. Included 40 cm magnetic tray.

Easy assembly.



(Oak / RAL 9003)

Dimensions (cm)

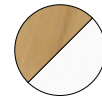


Ref.	Description	Qty.	cm (product)
NAT8100	Mobile stand with lacquered boards of 100x113cm on both sides	1	100 x 192 x 46

## INFORMATION PANELS

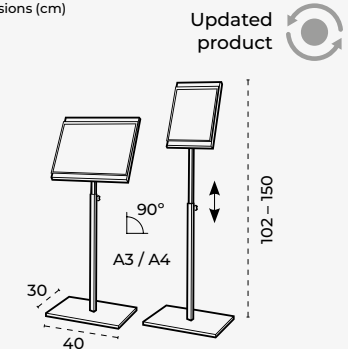


Magnetic information panels from the NATURAL range with a metal structure and height-adjustable melamine support, featuring a 360° rotating panel that allows documents in DIN A3 or DIN A4 format to be fixed depending on the model. Includes a magnetic cover to protect the paper containing the information. Easy assembly.



(Oak / RAL 9003)

Dimensions (cm)



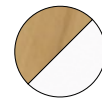
Ref.	Description	Qty.	cm (product)
NAT0705	Height-adjustable display with DIN A4 panel	1	40 x 102-150 x 30
NAT0706	Height-adjustable display with DIN A3 panel	1	40 x 102-150 x 30

## WHITEBOARDS



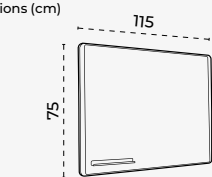
Wall-mounted multi-purpose and magnetic whiteboards in the NATURAL range on melamine support that allows for vertical or horizontal orientations thanks to its magnetic fixing that adapt to your needs. Lacquered surface and fully compatible with dry erase markers.

The NATURAL whiteboards fit in perfectly in any setting, adding a more modern, warm and natural touch to your office space. Easy assembly. 40 cm magnetic tray included. 2 sizes to choose from.

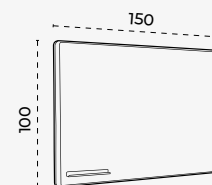


(Oak / RAL 9003)

Dimensions (cm)



Ref. NAT6420



Ref. NAT6421

Ref.	Description	Qty.	cm (product)
NAT6420	Magnetic and laquered whiteboard 75x115cm	1	75 x 115 x 1,2
NAT6421	Magnetic and laquered whiteboard 100x150cm	1	100 x 150 x 1,2

## REVOLVING + WHITEBOARD



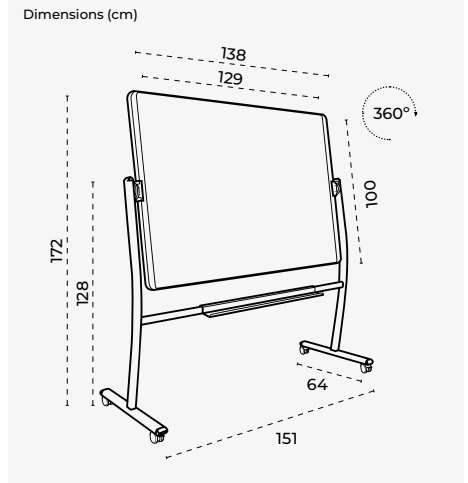
VIDEO

NATURAL range rotating movable stand, with double-sided whiteboard with melamine base included. The lacquered surface is ideal for dry erase markers.

The metallic CURVE support (a designer, ergonomically shaped, curved structure) features the new FREE ROTATION system, which allows for safe rotation of the whiteboard when flipping sides while avoiding swinging or vibration while writing. Tray for writing utensils included, designer wheels with brakes. Easy assembly.



(Oak / RAL 9003)



Ref.	Description	Qty.	cm (product)
NAT6871V22	Mobile double-sided support with lacquered boards 100x138cm on both sides	1	151 x 172 x 64

## MOBILE SUPPORT DOUBLE SIDE



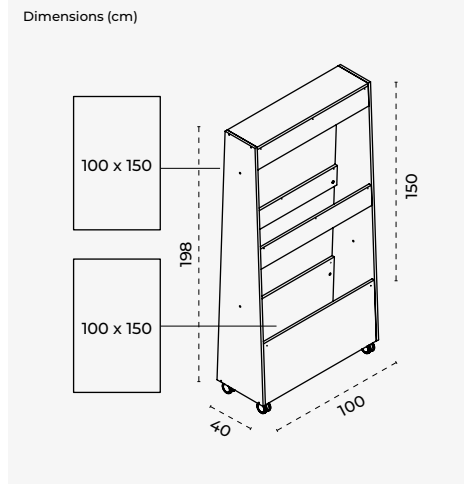
VIDEO

Double-sided movable support for the NATURAL range, compatible with 100 x 150 cm SKINWHITEBOARD whiteboards. Made from melamine and designed to bring warmth and modernity to conference rooms and workspaces. Magnet fixing system as per the patented Skin system. Useable writing surface size of 100 x 150 cm.

Easy assembly.



(Oak / RAL 9003)



Ref.	Description	Qty.	cm (product)
NAT3100	Mobile support double side for SKINWHITEBOARD of 100x150cm	1	100 x 198 x 40

● SKINWHITEBOARD whiteboards not included.



! = Finishes on request

Dimensions = width x height x depth (cm)

113 |





**Products for environments that are constantly transforming.**

**ROCADA** offers a wide range of solutions designed to respond to all forms of interaction and communication that take place in offices, educational centers and collaborative environments. Each product is born from a clear concept: to facilitate the exchange of ideas and strengthen the connection between people, where sender and receiver are key elements in achieving any common goal. Our range of furniture, panels, boards and modular systems integrates as an essential element within this conceptual framework, providing functionality, design and versatility. Customization, materials, dimensions and finishes become starting points that give life to products designed for people and for the environments where they carry out their daily activities.

At **ROCADA**, we believe that a good space should not only fulfill its function, but also inspire, organize and simplify every moment of work. Because when the environment supports you, ideas flow better.

# INTERACTIVE

## **Where information comes to life.**

In this new era, where digital technology is increasingly present in our lives, interactive displays have become an essential tool for companies and schools. They offer more interactive and engaging communication for users, making them an excellent option to enhance the learning experience and productivity in the workplace.

By using our interactive displays, companies and schools can create presentations and educational materials that engage the audience and allow them to interact with the content in a more user-friendly and attractive way. An excellent tool to improve communication and collaboration in any environment.



# INTERACTIVE

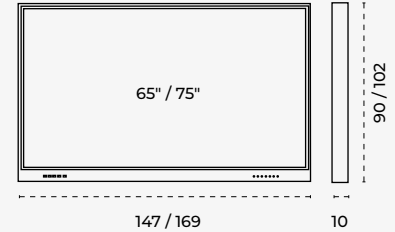


## INTERACTIVE MONITOR - STANDARD RANGE



Cutting-edge interactive monitors from the STANDARD series, designed to enhance communication needs in the education and private enterprise sectors. These monitors are tailored for complete adaptation to each user's needs. Without the Android system, they feature 4K UHD resolution and built-in speakers made with high-quality materials. The outer casing is crafted from steel for maximum external protection. The 4mm tempered glass with minimal friction allows for agile use and maximum protection against potential impacts, enabling safe cleaning with any cleaning product. They come with a 3-year warranty and customer support in Spain and Portugal.

Dimensions (cm)



Ref.	Description	Qty.	cm (product)
● <b>INTERAC65S</b>	Interactive monitor 4K LED 65" - Standard range	1	147 x 90 x 10
● <b>INTERAC75S</b>	Interactive monitor 4K LED 75" - Standard range	1	169 x 102 x 10

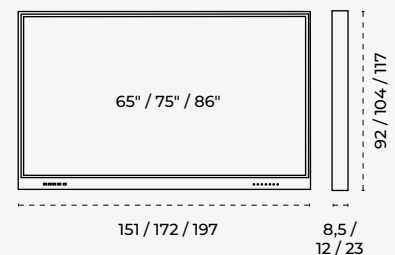
● Includes wall mounting support.

## INTERACTIVE MONITOR - TX RANGE



Cutting-edge interactive monitors from the TX series, designed to enhance communication needs in the education and private enterprise sectors. Equipped with the Android operating system, 4K UHD resolution, Wi-Fi, and mirroring system for simultaneous viewing and interaction with multiple devices. Built-in speakers made with high-quality materials. The outer casing is crafted from steel for maximum external protection. 4mm tempered glass with minimal friction for agile use and maximum protection against potential impacts, allowing safe cleaning with any cleaning product. 5-year warranty and customer support in Spain and Portugal.

Dimensions (cm)



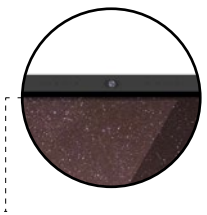
Ref.	Description	Qty.	cm (product)
● <b>INTERAC65TX</b>	Interactive monitor 4K LED 65" - TX range	1	151 x 92 x 8.5
● <b>INTERAC75TX</b>	Interactive monitor 4K LED 75" - TX range	1	172 x 104 x 12
● <b>INTERAC86TX</b>	Interactive monitor 4K LED 86" - TX range	1	197 x 117 x 23

● Includes wall mounting support.

! = Finishes on request

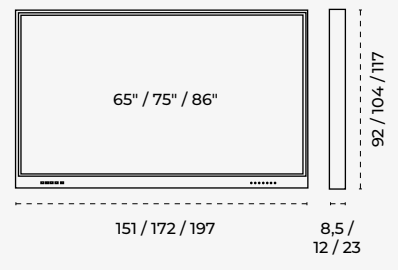
Dimensions = width x height x depth (cm)

## INTERACTIVE MONITOR TXC SERIES



Latest-generation interactive monitors with integrated camera and microphone from the TXC series, designed to enhance communication needs in the education sector and the private business sector. Equipped with Android operating system, 4K UHD resolution, WiFi and mirroring system to display and interact with multiple devices simultaneously. Built-in speakers manufactured with top-quality materials. Steel housing for maximum external protection. 4 mm tempered glass with a minimum friction index for agile use and maximum protection against possible impacts, allowing safe cleaning with any cleaning product. 5-year warranty and technical support service in Spain and Portugal.

Dimensions (cm)



Ref.	Description	Qty.	cm (product)
● <b>INTERAC65TXC</b>	Interactive 4K UHD 65" monitor TXC series	1	151 x 92 x 8.5
● <b>INTERAC75TXC</b>	Interactive 4K UHD 75" monitor TXC series	1	172 x 104 x 12
● <b>INTERAC86TXC</b>	Interactive 4K UHD 86" monitor TXC series	1	197 x 117 x 23

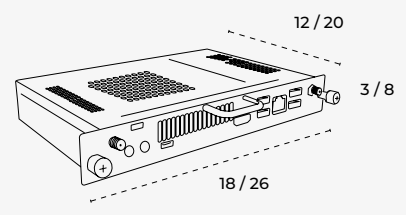
● Includes wall mounting support.

## BUILT-IN COMPUTERS



Optional integrated computers to enhance data transmission speed with preinstalled Android or Windows 11 PRO operating system (depending on the model) and license.

Dimensions (cm)



Ref.	Description	Qty.	cm (product)
● <b>INTERAC-PC5</b>	PC-OPS 4K i5 Windows 11 PRO	1	18 x 3 x 12
● <b>INTERAC-PC7</b>	PC-OPS 4K i7 Windows 11 PRO	1	18 x 3 x 12
● <b>INTERAC-GL</b>	OPS Android Google	1	26 x 8 x 20

● Prices upon request with Rocada (prices of technological products may undergo sudden variations).  
 ● PC-OPS compatible with standard interactive monitors.

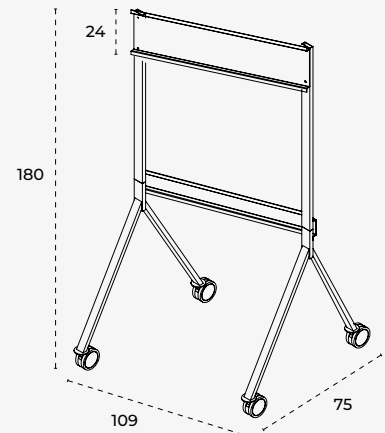
## MOBILE SUPPORT ST2 FOR INTERACTIVE DISPLAYS



Mobile support for interactive displays from 65" to 86". It has 4 high-resistant wheels with safety brake. Structure made in steel.

Supplied unassembled.

Dimensions (cm)



Ref.	Description	Qty.	cm (product)
INTERAC-ST2	Mobile support ST2	1	109 x 180 x 75

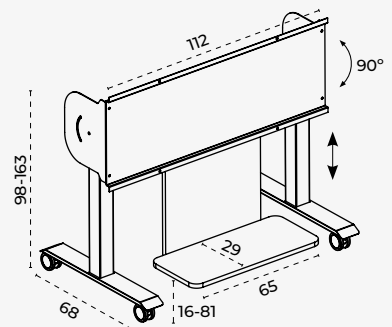
## MOBILE SUPPORT ST6 FOR INTERACTIVE DISPLAYS



Mobile stand compatible with 65", 75", and 86" interactive monitors. Steel frame composed of 3-level height-adjustable columns through an electric mechanism (60cm). Upper structure with a 90° rotation system to work with the monitor horizontally based on each need. It includes a large front tray as support for all types of accessories used during a presentation. Equipped with 4 wheels with a safety brake.

Delivered assembled.

Dimensions (cm)



Ref.	Description	Qty.	cm (product)
INTERAC-ST6	Mobile support ST6	1	112 x 98-163 x 68

# VISUALLINE

## **Spaces designed for communication.**

Our collection of dry-erase boards, display cases and auxiliary furniture offers practical and versatile solutions for any professional or educational environment.

Modular boards expand and adapt the workspace with ease, while their lightweight design and simple installation make them ideal for dynamic environments. Display cases and auxiliary furniture complete the set, providing order, functionality and more effective visual communication.



# WHITEBOARDS

Our collection of boards is much more than a surface to write on; it is an essential tool for communication, creativity and organization in any environment. We offer a wide variety of models designed to adapt to every need, whether in offices, educational centers or collaborative workspaces. Each board is a bridge

between ideas, where interaction between sender and receiver comes to life. With classic options in different finishes, materials and formats, our boards are designed to boost productivity and facilitate the clear and effective transmission of messages.

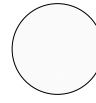


## ENAMELLED WHITEBOARDS WITH ALUMINIUM FRAME



Enamelled whiteboards with anodised aluminium frame, technical polymer corner pieces and metal backing. Surface with 25-year warranty and suitable for writing with dry erase markers. Each whiteboard includes a 30 cm tray (or 50 cm for sizes larger than 90x120cm) for markers and wall mounting accessories.

Supplied assembled. Recommended for daily and intensive use.



White vitrified

Dimensions (cm)

Updated product



60 / 90 / 120 / 150 / 180 / 200 / 240

45 / 60 / 90 / 100 / 120

warranty years **25**

Ref.	Description	Qty.	cm (product)
6500	Enamelled whiteboard with aluminium frame	1	60 x 45 x 1,2
6502	Enamelled whiteboard with aluminium frame	1	90 x 60 x 1,2
6504	Enamelled whiteboard with aluminium frame	1	120 x 90 x 1,2
6507	Enamelled whiteboard with aluminium frame	1	150 x 120 x 1,2
6508	Enamelled whiteboard with aluminium frame	1	180 x 120 x 1,2
6511	Enamelled whiteboard with aluminium frame	1	200 x 120 x 1,2
6512	Enamelled whiteboard with aluminium frame	1	240 x 120 x 1,2

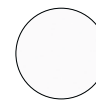
IMPORTANT NOTE: Save time and money with the SKINWHITEBOARD alternative.

## LACQUERED WHITEBOARDS WITH ALUMINIUM FRAME



Lacquered whiteboards with anodised aluminium frame, technical polymer corner pieces and metal backing. Surface suitable for writing with dry erase markers. Each whiteboard includes a 30 cm tray (or 50 cm for sizes larger than 90x120cm) for markers and wall mounting accessories.

Supplied assembled. Recommended for frequent use.



White lacquered

Dimensions (cm)

Updated product



60 / 90 / 120 / 150 / 180 / 200 / 240

45 / 60 / 90 / 100 / 120

Ref.	Description	Qty.	cm (product)
6400	Lacquered whiteboard with aluminium frame	1	60 x 45 x 1,2
6402	Lacquered whiteboard with aluminium frame	1	90 x 60 x 1,2
6404	Lacquered whiteboard with aluminium frame	1	120 x 90 x 1,2
6406	Lacquered whiteboard with aluminium frame	1	150 x 100 x 1,2
6407	Lacquered whiteboard with aluminium frame	1	150 x 120 x 1,2
6408	Lacquered whiteboard with aluminium frame	1	180 x 120 x 1,2
6410	Lacquered whiteboard with aluminium frame	1	200 x 100 x 1,2
6411	Lacquered whiteboard with aluminium frame	1	200 x 120 x 1,2
6412	Lacquered whiteboard with aluminium frame	1	240 x 120 x 1,2

IMPORTANT NOTE: Save time and money with the SKINWHITEBOARD alternative.

= Finishes on request

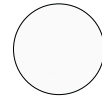
Dimensions = width x height x depth (cm)

## MATT ENAMELLED WHITEBOARDS WITH ALUMINIUM FRAME



Enamelled whiteboards with anodised aluminium frame, technical polymer corner pieces and metal backing. Surface with 25-year warranty and suitable for writing with dry erase markers. Each whiteboard includes a 30 cm tray (or 50 cm for sizes larger than 90x120cm) for markers and wall mounting accessories.

Supplied assembled. Recommended for daily and intensive use.



White vitrified mate

Dimensions (cm)

Updated product



100 / 150 / 200 / 240

120

warranty years **25**

Ref.	Description	Qty.	cm (product)
6505MAT	Matt enamelled whiteboard with aluminium frame	1	100 x 120 x 1,2
6507MAT	Matt enamelled whiteboard with aluminium frame	1	150 x 120 x 1,2
6511MAT	Matt enamelled whiteboard with aluminium frame	1	200 x 120 x 1,2
6512MAT	Matt enamelled whiteboard with aluminium frame	1	240 x 120 x 1,2



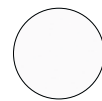
IMPORTANT NOTE: Save time and money with the SKINWHITEBOARD alternative.

## DOUBLE-SIDED ENAMELLED WHITEBOARDS WITH ALUMINIUM FRAME



Double-sided metallic and magnetic whiteboards with anodised aluminium frame, designed to be incorporated into a rotating structure. White enamelled surface suitable for writing with dry erase markers.

Supplied assembled. Surface with 25-year warranty.



White vitrified

Dimensions (cm)

Updated product



100 / 150 / 180 / 200

90 / 120

warranty years **25**

Ref.	Description	Qty.	cm (product)
6854	Double-sided enamelled whiteboard with aluminium frame	1	120 x 90 x 1,2
6855	Double-sided enamelled whiteboard with aluminium frame	1	150 x 120 x 1,2
6856	Double-sided enamelled whiteboard with aluminium frame	1	180 x 120 x 1,2
6857	Double-sided enamelled whiteboard with aluminium frame	1	200 x 120 x 1,2

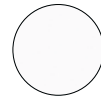
Stand not included / No marker tray.

## DOUBLE-SIDED LACQUERED WHITEBOARDS WITH ALUMINIUM FRAME



Double-sided metallic and magnetic whiteboards with anodised aluminium frame, designed to be incorporated into a rotating structure. White lacquered surface suitable for writing with dry erase markers.

Supplied assembled.



White  
lacquered

Dimensions (cm)

Updated  
product



100 / 150 / 180 / 200

90 /  
120

Ref.	Description	Qty.	cm (product)
● 6950	Double-sided lacquered whiteboard with aluminium frame	1	120 x 90 x 1,2
● 6951	Double-sided lacquered whiteboard with aluminium frame	1	150 x 120 x 1,2
● 6952	Double-sided lacquered whiteboard with aluminium frame	1	180 x 120 x 1,2
● 6953	Double-sided lacquered whiteboard with aluminium frame	1	200 x 120 x 1,2

● Stand not included / No marker tray.

## FRAMELESS MAGNETIC GLASS BOARD



Whiteboard made of 4mm tempered glass, magnetic, frameless, with a 25-year warranty, featuring an elegant design and high functionality. Perfect writing and erasing thanks to its surface treatment, allowing for easy cleaning and writing, achieving more cleanliness than traditional whiteboards. Surface suitable for writing with dry-erase markers. Fixed with Metal rails.



**Black**  
-15



**White**  
-25

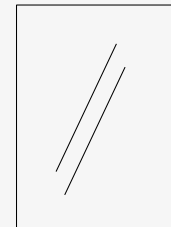


**Pure white**  
-25P



**Grey**  
-35

Dimensions (cm)



60 / 90 / 100 / 120

80 / 100 /  
120 / 150

warranty years

**25**

Ref.	Description	Qty.	cm (surface)
● 6702-15	Frameless magnetic glass board	1	80 x 60
● 6702-25	Frameless magnetic glass board	1	80 x 60
● 6702-35	Frameless magnetic glass board	1	80 x 60
● 6703-15	Frameless magnetic glass board	1	100 x 100
● 6703-25	Frameless magnetic glass board	1	100 x 100
● 6703-25P	Frameless magnetic glass board	1	100 x 100
● 6703-35	Frameless magnetic glass board	1	100 x 100
● 6705-25P	Frameless magnetic glass board	1	120 x 90
● 6707-25P	Frameless magnetic glass board	1	150 x 120
● 6708-25P	FrameLess magnetic glass board	1	200 x 100

● Inquire about the price and delivery time to Rocada for all types of customization of magnetic glass boards.



IMPORTANT NOTE: Save time and money with the SKINWHITEBOARD alternative.

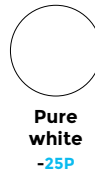
! = Finishes on request

Dimensions = width x height x depth (cm)

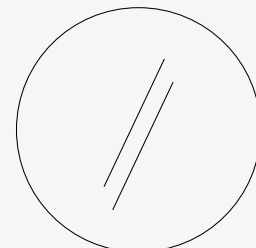
## CIRCULAR GLASS BOARDS, MAGNETIC, AND FRAMELESS



Round wall glass boards made of 4mm tempered glass, magnetic, frameless, with a 25-year warranty, featuring an elegant design and high functionality. Perfect writing and erasing thanks to its surface treatment, allowing for easy cleaning and writing, achieving total cleanliness. Surface suitable for writing with dry-erase markers. Fixed with Metal rails.



Dimensions (cm)



Ø 100

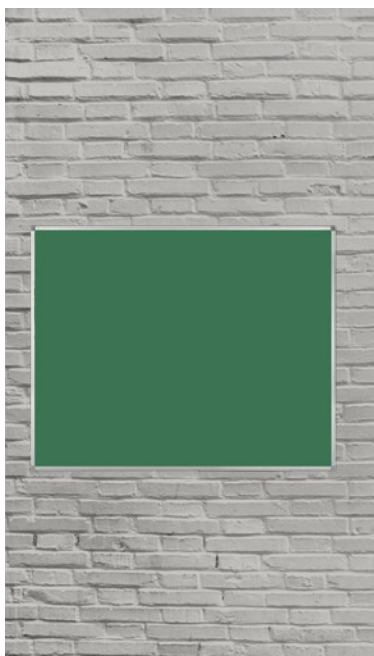
warranty years **25**

Ref.	Description	Qty.	cm (surface)
6704-25P	Magnetic glass board - 100cm diameter	1	Ø 100

Inquire about the price and delivery time to Rocada for all types of customization of magnetic glass boards.

**IMPORTANT NOTE:** Save time and money with the SKINWHITEBOARD alternative.

## ENAMELLED GREEN BOARDS WITH ALUMINIUM FRAME



Metallic and magnetic enameled boards with green surface with 25-year warranty, suitable for writing with liquid chalk markers and chalk. Technical polymer corner pieces and metal backing. Includes tray of the same length as the board for writing accessories. Includes wall mounting accessories.

Supplied assembled.



Dimensions (cm)

Updated product



120

100 / 150 / 200 / 240

warranty years **25**

Ref.	Description	Qty.	cm (product)
6507GRCH	Enameled green board with aluminium frame	1	150 x 120 x 1,2
6508GRCH	Enameled green board with aluminium frame	1	180 x 120 x 1,2
6511GRCH	Enameled green board with aluminium frame	1	200 x 120 x 1,2
6512GRCH	Enameled green board with aluminium frame	1	240 x 120 x 1,2

**IMPORTANT NOTE:** Save time and money with the SKINWHITEBOARD alternative.

## NATURAL CORK NOTICE BOARDS WITH ALUMINIUM FRAME



Natural cork notice boards with anodised aluminium frame. High-quality resistant and self-healing cork for use with pins or other fixing elements. Includes wall mounting accessories.



Cork

Supplied assembled.

Dimensions (cm)

Updated product



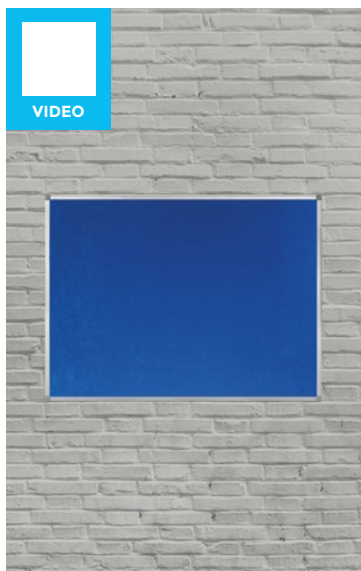
60 / 90 / 120 / 150 / 180 / 240

VISUALINE

Ref.	Description	Qty.	cm (product)
6200	Cork notice board with aluminium frame	1	60 x 45 x 1,2
6202	Cork notice board with aluminium frame	1	90 x 60 x 1,2
6204	Cork notice board with aluminium frame	1	120 x 90 x 1,2
6206	Cork notice board with aluminium frame	1	150 x 100 x 1,2
6208	Cork notice board with aluminium frame	1	180 x 120 x 1,2
6212	Cork notice board with aluminium frame	1	240 x 120 x 1,2

IMPORTANT NOTE: Save time and money with the SKINWHITEBOARD alternative.

## FABRIC NOTICE BOARDS WITH ALUMINIUM FRAME



Fabric notice boards with soft blue felt surface. Anodised aluminium frame. Includes wall mounting accessories.



Blue upholstered

Supplied assembled.

Dimensions (cm)

Updated product



60 / 90 / 120 / 180

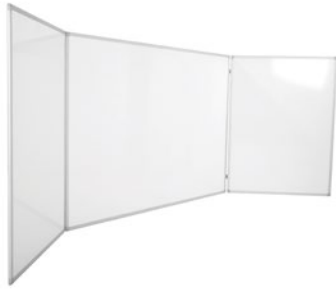
Ref.	Description	Qty.	cm (product)
6600	Fabric notice board with aluminium frame	1	60 x 45 x 1,2
6602	Fabric notice board with aluminium frame	1	90 x 60 x 1,2
6604	Fabric notice board with aluminium frame	1	120 x 90 x 1,2
6608	Fabric notice board with aluminium frame	1	180 x 120 x 1,2

IMPORTANT NOTE: Save time and money with the SKINWHITEBOARD alternative.

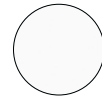
= Finishes on request

Dimensions = width x height x depth (cm)

## LACQUERED TRIPTYCH WHITEBOARDS WITH ALUMINIUM FRAME



Metallic and magnetic whiteboards composed of 3 panels providing 5 writing surfaces, with anodised aluminium frame, technical polymer corner pieces and metal backing. White lacquered surface suitable for writing with dry erase markers. Includes 60 cm tray for markers and wall mounting accessories.

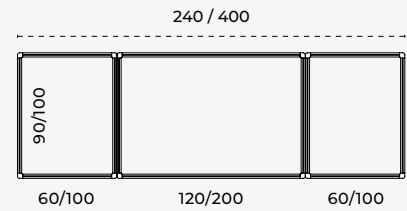


White  
Laquered

Supplied assembled.

Dimensions (cm)

Updated  
product



Ref.	Description	Qty.	cm (product)
6728V25	Lacquered triptych whiteboard (120x90cm closed) with aluminium frame	1	240 x 90 x 0,6
6729V25	Lacquered triptych whiteboard (200x100cm closed) with aluminium frame	1	400 x 100 x 0,6

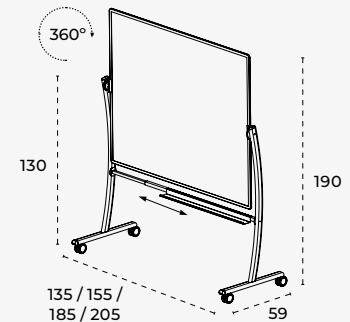
## REVOLVING SUPPORT



Ergonomically designed movable revolving supports. They feature a new FREE ROTATION system, which allows for safe rotation of the whiteboard when flipping sides while avoiding rocking or vibration while writing. Its new curved design allows it to be used in a more comfortable position for the user. Includes a tray for writing utensils and stylish wheels with brakes. Its telescopic structure allows for boards from 120cm up to 200cm in length.

Easy assembly. Whiteboard not included.

Dimensions (cm)



Ref.	Description	Qty.	cm (product)
6871-4	Revolving support curve, free rotation system length from 120cm to 200cm	1	135-205 x 130 x 59

Whiteboard not included.

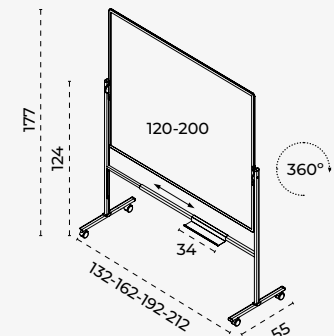
## REVOLVING SUPPORT M-T-ST-2101E



Revolving mobile stand. Includes a new FREE ROTATION system unique in the market that allows to safely turn the whiteboard when changing sides and prevents rocking while writing. The adjustable support allows whiteboard from 120cm to 200cm. Includes a tray and wheels with brake system.

Easy-to-assemble. Board not included.

Dimensions (cm)



Ref.	Description	Qty.	cm (product)
M-T-ST-2101E	Revolving support basic, free rotation system length from 120cm to 200cm	1	132-212 x 124 x 55

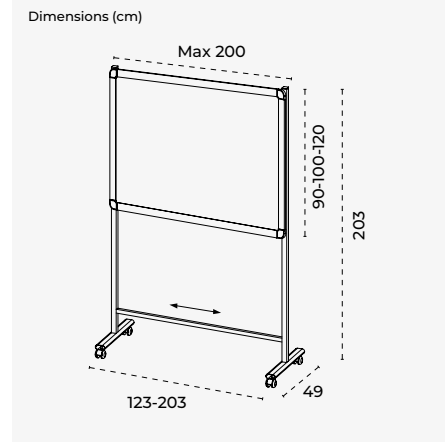
Whiteboard not included.

## MOBILE SUPPORT FOR WHITEBOARDS



Universal movable wall whiteboard stand for fixing 90 cm, 100 cm and 120 cm high whiteboards. Thanks to its telescopic lower cross-bar, it also offers a very stable support, it allows it to be compatible with whiteboards from 120 cm to 200 cm long. It has wheels with brakes. Optional graders on request.

Easy assembly.



Ref.	Description	Qty.	cm (product)
6877	Mobile support for whiteboards from 120cm to 200cm	1	123-203 x 203 x 49

Whiteboard not included.

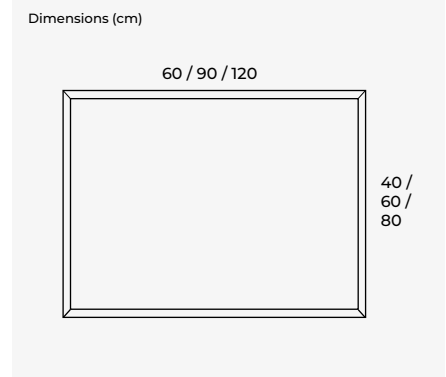
## CORK NOTICE BOARDS WITH PINE FRAME



Notice board with a pine wood frame and a self-healing cork surface, designed for posting information using tacks. Shipped with the frame assembled as standard.



Cork



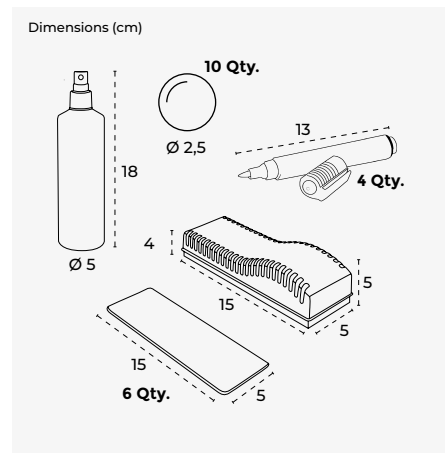
Ref.	Description	Qty.	cm (product)
6100V19	Cork notice board with pine frame	10	60 x 40 x 1,5
6102V19	Cork notice board with pine frame	10	90 x 60 x 1,5
6103V19	Cork notice board with pine frame	5	120 x 60 x 1,5
6111V19	Cork notice board with pine frame	5	120 x 80 x 1,5

## MAGNETIC WHITEBOARD ACCESSORY KIT



Cleaning kit and accessories for magnetic whiteboard:

- 4 mixed color markers
- 10 Ø2.5 cm magnets in random colors
- 1 magnetic eraser with felt
- 6 replacements felt for the magnetic eraser
- 1 cleaning spray of 100ml



Ref.	Description	Qty.	cm (product)
S4319V24	Magnetic whiteboard accessory kit	1	-

Magnetic accessories not compatible with magnetic glass whiteboards.

! = Finishes on request

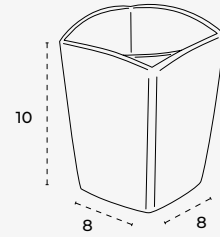
Dimensions = width x height x depth (cm)

## MAGNETIC MARKER CONTAINER



Magnetic marker cups made of technical polymer. Available in 2 different colours depending on the model.

Dimensions (cm)

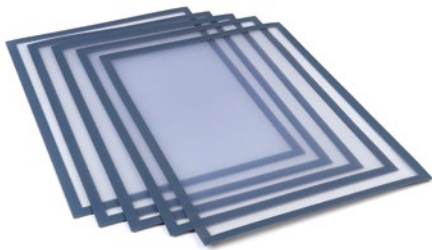


pack of 12 units

Ref.	Description	Qty.	cm (product)
530GR*12	Green magnetic marker container	12	8 x 10 x 8
530WH*12	White magnetic marker container	12	8 x 10 x 8

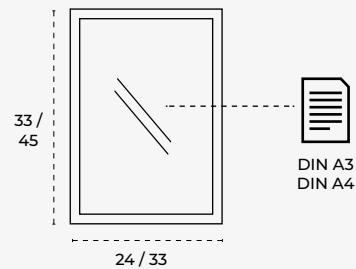
Magnetic accessories not compatible with magnetic glass whiteboards.

## MAGNETIC SLEEVES



Magnetic sleeves for documents and all types of uses. Easy to exchange documents frequently thanks to the magnetized structure. The surface is made of technical polymer to keep information clean at all times. Ideal for presenting notices, information, advertising, offers or any other document that changes frequently.

Dimensions (cm)



pack of 5 units

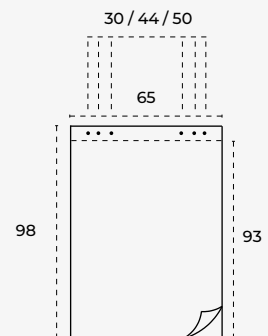
Ref.	Description	Qty.	cm (surface)
S0301A4	Magnetic sleeves DIN A4	5	DIN A4
S0301A3	Magnetic sleeves DIN A3	5	DIN A3

## PAPER BLOCK



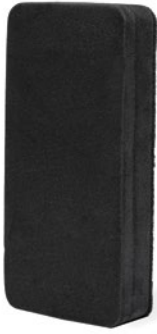
20-sheet paper pad. 70 g. Hole system with universal dimensions that adapt to all our boards with a pad attachment system, and also, for our support with the SkinBLOCK attachment system (RD-6430R).

Dimensions (cm)



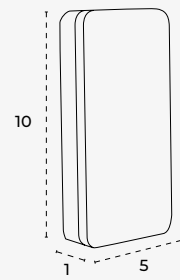
Ref.	Description	Qty.	cm (product)
630	Paper block 70 gr - 20 sheets	1	65 x 98 x 0,2
631	5 pack -paper block 70 gr - 20 sheets	5	65 x 98 x 1

## MAGNETIC ERASER FOR GLASS BOARDS



High-density foam magnetic eraser designed for perfect cleaning on glass boards. Its powerful magnetic system ensures secure attachment, while the soft texture removes marks without scratching, keeping the surface clean and elegant at all times.

Dimensions (cm)



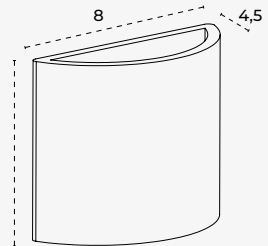
Ref.	Description	Qty.	cm (product)
S4300V26	Magnetic eraser for glass boards	1	5 x 10 x 1

## MAGNETIC PEN HOLDER FOR GLASS BOARDS



The magnetic pen holder with a bamboo finish offers high adherence to our magnetic glass boards, allowing for the practical and decorative storage of markers. Its design combines functionality with the warm aesthetics of bamboo, blending well with different types of environments. While durable, it is important to note that it is not water-resistant. An elegant and functional solution.

Dimensions (cm)



pack of 4 units

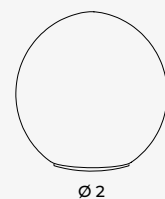
Ref.	Description	Qty.	cm (product)
533BM-S	Magnetic bamboo finish pen holder	4	9,5 x 8 x 4,5

## MAGNETIC MAGNETS FOR GLASS BOARDS



High-adherence magnets with oak finish, 2 cm in diameter. Pack of 3 units. High-adherence magnets with an oak finish, 2 cm in diameter, are an effective solution for organizing all types of information, offering maximum versatility in their use. The oak finish not only adds an aesthetic touch but also ensures durability. Ideal for application on our magnetic boards, providing a practical and attractive way to keep documents, photos, or other small items organized. Box of 12 pack of 3 magnets.

Dimensions (cm)



pack of 36 units

Ref.	Description	Qty.	cm (product)
S0115	Magnetic magnets for glass boards	12 x 3	Ø 2

# FLIPCHARTS

Our conference flipcharts collection offers effective and dynamic communication in any professional environment. Every presentation, meeting or brainstorming session needs a versatile and functional tool that drives creativity and facilitates the transmission of ideas.

Our conference flipcharts are designed to adapt to the demands of any workspace. From models with magnetic surfaces to height-adjustable options, we offer innovative solutions that optimize interaction between people. With our flipcharts, communication flows without limits.



## CARTON FLIP

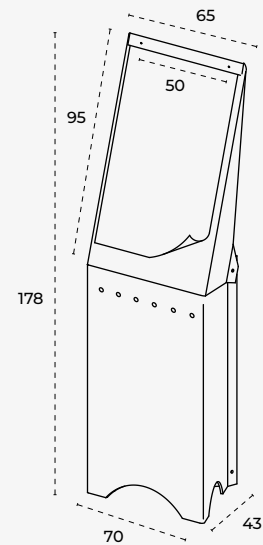


Flipchart made of recycled cardboard and 100% recyclable. Easy to assemble and use, thanks to its lightweight design of less than 3kg. Ideal for all types of uses, personal use at home, for occasional work presentations, in hotels, for architects, etc. Includes a recycled block of 5 sheets of paper and a marker.



Cardboard

Dimensions (cm)



Ref.	Description	Qty.	cm (surface)	cm (product)
60	Recycled and 100% recyclable cardboard flipchart	1	65 x 95	70 x 178 x 43

## TRANSFORMER - CONVERTIBLE MOBILE FLIPCHART



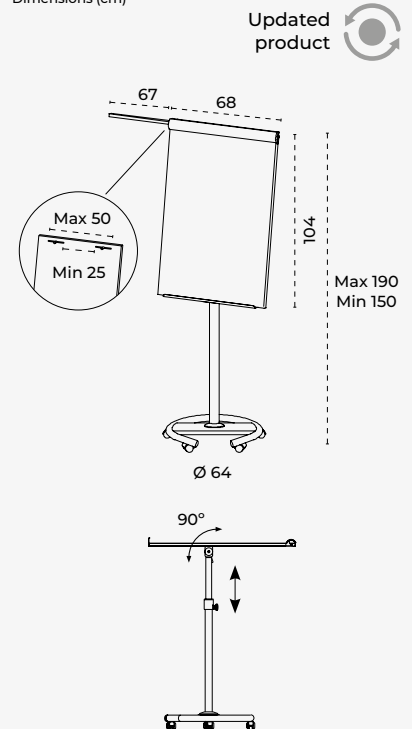
Magnetic Metal movable flipchart designed and intended for conferences and other presentations. The Metal movable base allows for easy mobility. Its spring-operated height adjustment system furnishes great ease-of-use and ergonomics, adapting to writing from a standing or sitting position. Its unique, patented rotation system allows the surface to be laid horizontally, turning the board into a table. It comes with two telescopic arms, can hold a universal paper pad, has a bezel on top to hide the pad retention knobs, and the surface is suitable for dry erase markers.

Easy assembly.



(RAL 9003)

Dimensions (cm)



Updated product

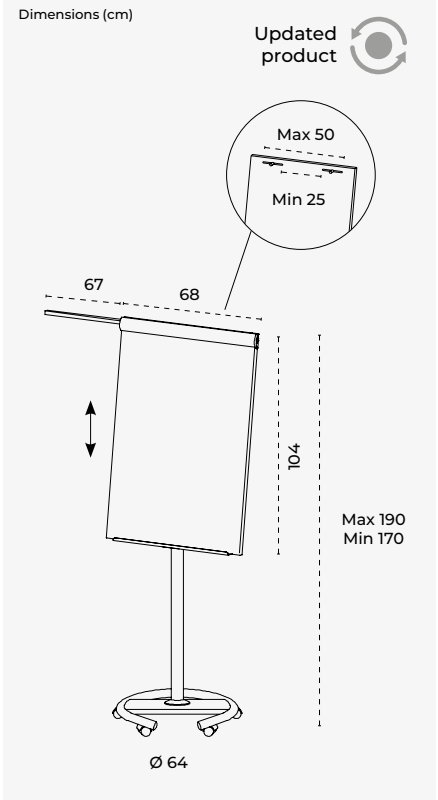
Ref.	Description	Qty.	cm (surface)	cm (product)
618	Mobile flipchart. Convertible into table. 2 telescopic arms	1	68 x 104	68 x 150-190 x 64

## PROFESSIONAL - MOBILE FLIPCHART



Magnetic Metal movable flipchart with a very clean and careful design, intended for presentations, conferences and meetings. Attachment by means of clamping knobs. It comes with two telescopic arms to display two pad sheets simultaneously, can hold universal paper pads, and its surface is suitable for dry erase markers.

Easy assembly.



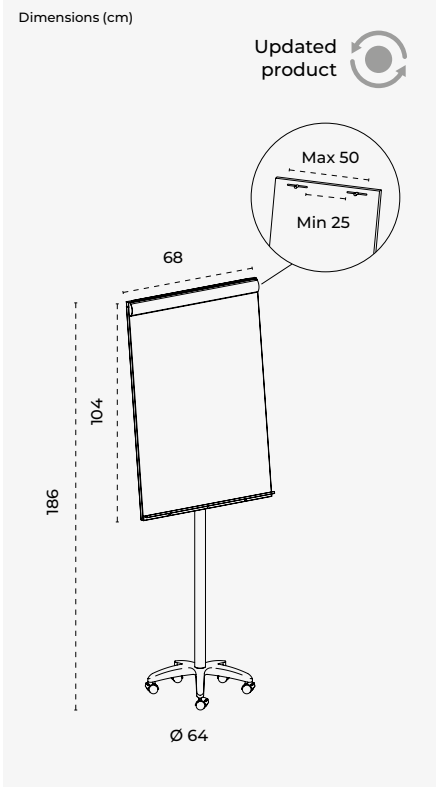
Ref.	Description	Qty.	cm (surface)	cm (product)
617	Mobile flipchart, height adjustable, with 2 telescopic arms	1	68 x 104	68 x 170-190 x 64

## ECONOMY - MOBILE FLIPCHART



Movable magnetic metal flipchart, with 5-wheel base and a writing surface suitable for dry erase markers. Compatible with universal paper pads. Equipped with designer bezel on top to hide the pad retention knobs. Not height-adjustable. Includes 2 telescopic arms to display another pad sheet simultaneously.

Easy assembly.



Ref.	Description	Qty.	cm (surface)	cm (product)
616K	Mobile flipchart with 2 telescopic arms	1	68 x 104	68 x 186 x 64

## CLASSIC - TRIPOD FLIPCHART



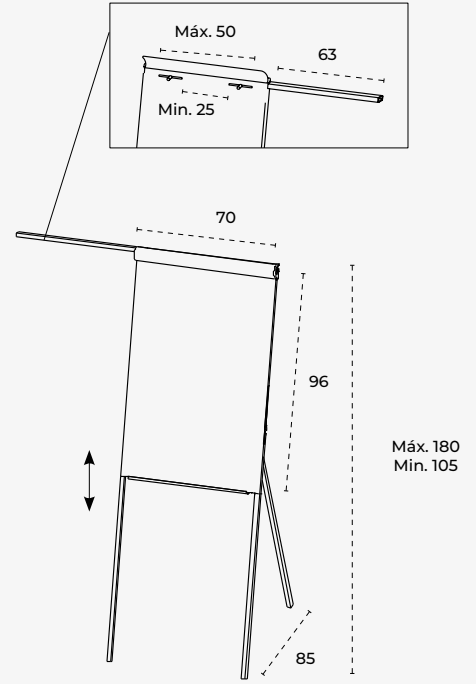
Highly stable magnetic and Metal tripod flipchart, suitable for dry erase markers. Compatible with universal paper pads. Adjustable height. Includes 1 telescopic arm.

Easy assembly.



(RAL 9003)

Dimensions (cm)



VISUALINE

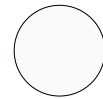
Ref.	Description	Qty.	cm (surface)	cm (product)
610V19	Tripod flipchart lacquered dry-wipe surface	1	70 x 96	70 x 105-180 x 85

## BASIC - TRIPOD FLIPCHART



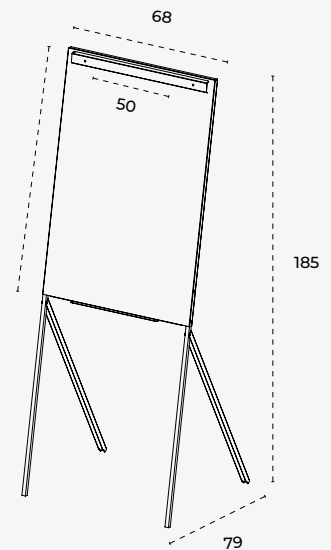
Metal tripod flipchart, magnetic and highly stable, suitable for writing with dry-erase markers. Compatible with paper pad. Its retractable feet provide for optimum storage.

Easy to assemble.



(RAL 9003)

Dimensions (cm)



Ref.	Description	Qty.	cm (surface)	cm (product)
605V22	Tripod flipchart lacquered dry-wipe surface	1	68 x 104	68 x 185 x 79

# DISPLAYS

Designed to adapt to the demands of any workspace or public area. From models with safety locks to wall-mounted or large-format options, we offer functional and innovative solutions that optimize visibility and the preservation of information. An organized and

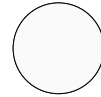
professional experience. Our display case collection offers clear, secure and elegant presentation in any professional environment. Every informational, institutional or corporate space needs a solution that protects, organizes and highlights content effectively.



## HORIZONTAL MAGNETIC DISPLAY CASES (INDOOR)



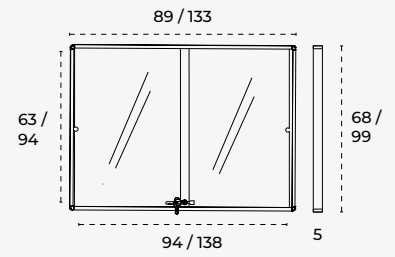
Display cases made of extruded aluminium, lightweight and easy to install. White lacquered magnetic surface (suitable for dry erase markers). Sliding doors made of safety glass, ideal for limited spaces. Additional galvanised steel back panel. Supplied with lock and 2 keys. Includes wall mounting accessories.



White lacquered

Dimensions (cm)

Updated product



Ref.	Description	Qty.	cm (product)
3641V26	Sliding door display case lacquered 8xA4	1	94 x 68 x 5
3642V26	Sliding door display case lacquered 12xA4	1	138 x 68 x 5
3644V26	Sliding door display case lacquered 18xA4	1	138 x 99 x 5

## HORIZONTAL CORK DISPLAY CASES (INDOOR)



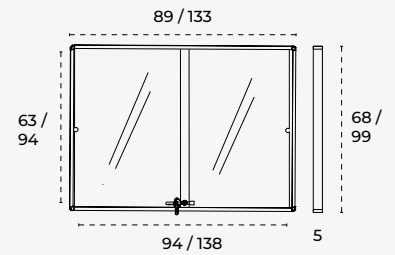
Display cases made of extruded aluminium, lightweight and easy to install. Resistant and self-healing natural cork surface. Sliding doors made of safety glass, ideal for limited spaces. Additional galvanised steel back panel. Supplied with lock and 2 keys. Includes wall mounting accessories.



Cork

Dimensions (cm)

Updated product

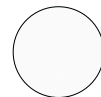


Ref.	Description	Qty.	cm (product)
3651V26	Sliding door cork display case 8xA4	1	94 x 68 x 5
3652V26	Sliding door cork display case 12xA4	1	138 x 68 x 5
3654V26	Sliding door cork display case 18xA4	1	138 x 99 x 5

## VERTICAL MAGNETIC DISPLAY CASES (INDOOR)



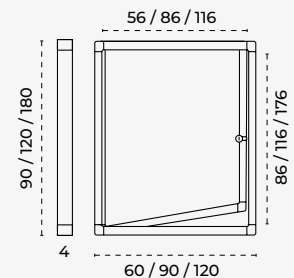
Display cases made of extruded aluminium, lightweight and easy to install with reinforced frame. White lacquered magnetic surface (suitable for dry erase markers). Hinged door made of high-visibility polycarbonate. Additional galvanised steel back panel. Supplied with lock and 2 keys. Includes wall mounting accessories.



White lacquered

Dimensions (cm)

Updated product



Ref.	Description	Qty.	cm (product)
3676V26	Horizontal opening door lacquered display case 4xA4	1	60 x 90 x 4
3679V26	Horizontal opening door lacquered display case 10xA4	1	90 x 120 x 4
3680V26	Horizontal opening door lacquered display case 24xA4	1	120 x 180 x 4

## VERTICAL CORK DISPLAY CASES (INDOOR)

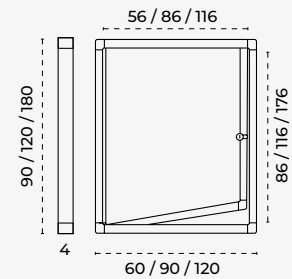


Display cases made of extruded aluminium, lightweight and easy to install with reinforced frame. Resistant and self-healing natural cork surface. Hinged door made of high-visibility polycarbonate. Additional galvanised steel back panel. Supplied with lock and 2 keys. Includes wall mounting accessories.



Dimensions (cm)

Updated product

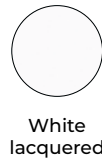


Ref.	Description	Qty.	cm (product)
3686V26	Horizontal opening door cork display case 4xA4	1	60 x 90 x 4
3689V26	Horizontal opening door cork display case 10xA4	1	90 x 120 x 4
3690V26	Horizontal opening door cork display case 24xA4	1	120 x 180 x 4

## VERTICAL MAGNETIC DISPLAY CASES (INDOOR / OUTDOOR)

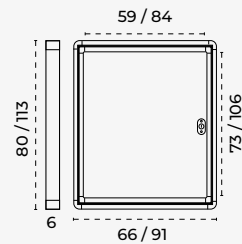


Display cases made of extruded aluminium, lightweight and easy to install with reinforced frame. White lacquered magnetic surface (suitable for dry erase markers). Hinged door in high-visibility polycarbonate. Additional galvanised steel back panel. Supplied with lock and 2 keys. Includes wall mounting accessories.



Dimensions (cm)

Updated product



Ref.	Description	Qty.	cm (product)
3671V26EX	Outdoor horizontal opening door lacquered display case 4xA4	1	66 x 80 x 6
3672V26EX	Outdoor horizontal opening door lacquered display case 6xA4	1	91 x 80 x 6
3673V26EX	Outdoor horizontal opening door lacquered display case 9xA4	1	91 x 113 x 6

## VERTICAL CORK DISPLAY CASES (INDOOR / OUTDOOR)

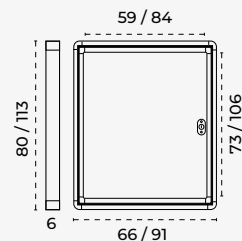


Display cases made of extruded aluminium, lightweight and easy to install with reinforced frame. Resistant and self-healing natural cork surface. Hinged door in high-visibility polycarbonate. Additional galvanised steel back panel. Supplied with lock and 2 keys. Includes wall mounting accessories.



Dimensions (cm)

Updated product



Ref.	Description	Qty.	cm (product)
3681V26EX	Outdoor horizontal opening door cork display case 4xA4	1	66 x 80 x 6
3682V26EX	Outdoor horizontal opening door cork display case 6xA4	1	91 x 80 x 6
3683V26EX	Outdoor horizontal opening door cork display case 9xA4	1	91 x 113 x 6

# WHITEBOARDS SURFACE GUIDE

Surface	Frequency of use	Scratch resistance	Magnetic	Warranty years	Alcohol	Cleaning type
Melamine	★☆☆☆☆ ☆☆☆☆☆	✗	✗	3	✗	Water regularly
Lacquered	★★★★★ ☆☆☆☆☆	✗	✓	5	✗	Water regularly
Vitrified	★★★★★ ★★★★★	✓	✓	25	✓	Water / Alcohol occasionally
Glass	★★★★★ ★★★★★	✓	✓	25	✓	Water / Alcohol occasionally

# AUXILIARY

Organization and presentation in any workspace or communication area require versatile and functional solutions. A wide range of auxiliary furniture, lecterns, mobile partitions and display units designed to optimize interaction between people and improve space

distribution. Customization, a variety of sizes, high-quality finishes and innovative materials are just the starting point. Discover how our designs can transform your space and take it to the next level with our collection of auxiliary furniture and accessories.

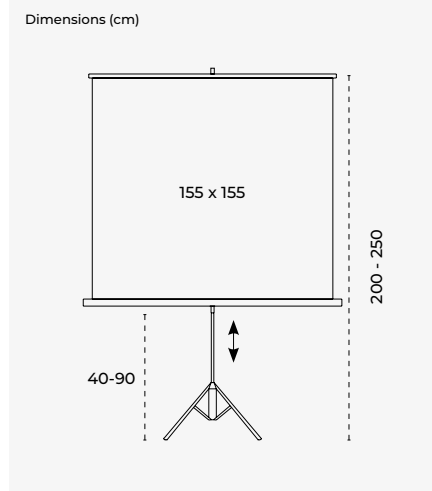


## TRIPOD PROJECTION SCREEN



Roll-up projection screen, made of anti-reflective cloth with a tripod made of lacquered aluminium. It has an arm to correct image position. Its structure is fully foldable for easy transport and storage.

It is delivered ready-assembled.

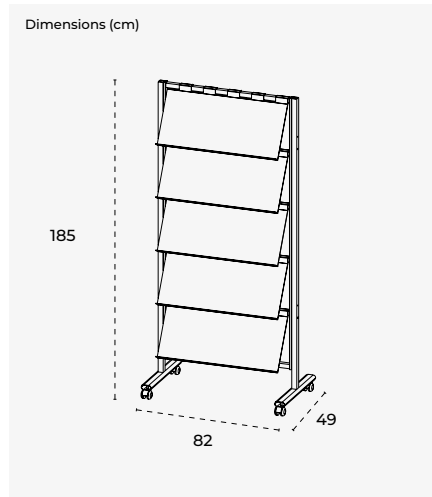


Ref.	Description	Qty.	cm (product)
3045	Tripod projection screen 155x155cm	1	160 x 200-250 x 50

## MOBILE DIVIDER



Multi-functional movable dividers with a steel structure that allows five Metal trays to be attached (REF: RD8320) on both sides. Linear or 90° modular structure. Wheels with brakes, and 5 trays included as standard.

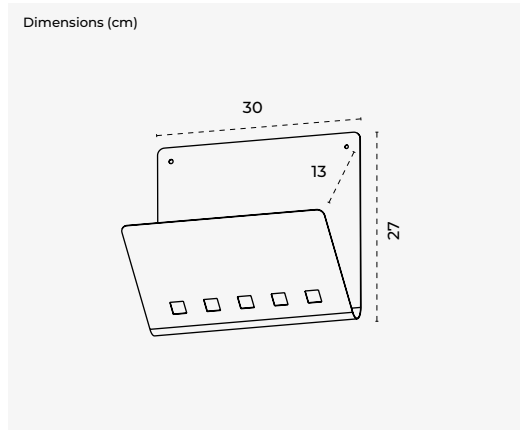


Ref.	Description	Qty.	cm (product)
8304	Mobile divider with 5 trays	1	82 x 185 x 49
8320	Metallic trays for mobile divider	5	35 x 77 x 3

## METALIC MAGAZINE WALL RACK



Steel wall-mounted magazine racks. Two-point wall mount. 3 units per box.

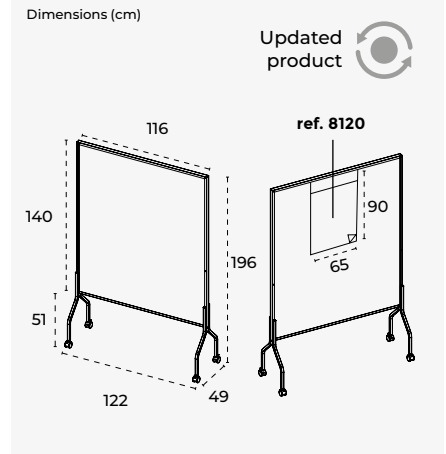


Ref.	Description	Qty.	cm (product)
2980	Metalic magazine wall rack	3	27 x 30 x 13

## MODULAR DOUBLE-SIDED UPHOLSTERED MOBILE PARTITIONS



Double-sided mobile partitions with Metal structure and soft surface for pins and notes. Thanks to its resistant grey surface, it absorbs sound. Allows multiple configurations thanks to its connecting pieces (ref. RD-8115V22) and the 20-sheet 70 g paper pad with fixing system. Standard castors with brake. Useful surface size: 116 x 140 cm. Easy assembly.



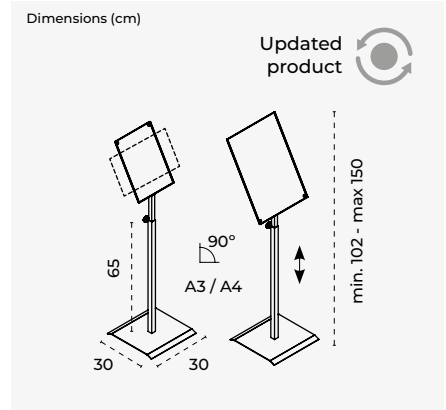
Ref.	Description	Qty.	cm (product)
8100V22	Grey upholstered mobile partition panel	1	122 x 196 x 49
8115V22	Connecting pieces for mobile partition panels	2	4 x 54 x 4
8120	Paper pad with fixing system (optional)	1	65 x 90

## HEIGHT ADJUSTABLE INFORMATION PANELS



Metal information panels adjustable in height with 360° rotating panel. White painted Metal surface to fix documents in A3 or A4 format. Includes magnetic cover for total information protection. Surface suitable for dry erase markers.

Easy assembly.



Ref.	Description	Qty.	cm (product)
BS0705S	Height adjustable display size A4 white	1	30 x 102-150 x 30
BS0706S	Height adjustable display size A3 white	1	30 x 102-150 x 30

● Magnetic cover included.



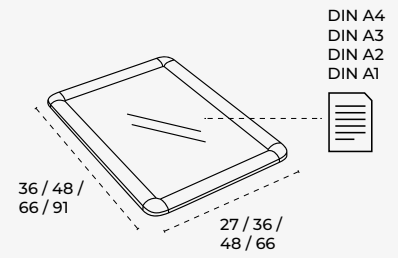
## INFORMATION FRAMES WITH “CLIP” CLOSING SYSTEM (INDOOR)



“CLIP” information frames to hang on walls and busy corridors, ideal for informing and attracting new customers with highlighted offers. Allow quick poster change thanks to their clip system. Made of silver anodized aluminium, with technical polymer corners and transparent protector against dust and splashes. Easy to use, clean and maintain.

Supplied assembled.

Dimensions (cm)



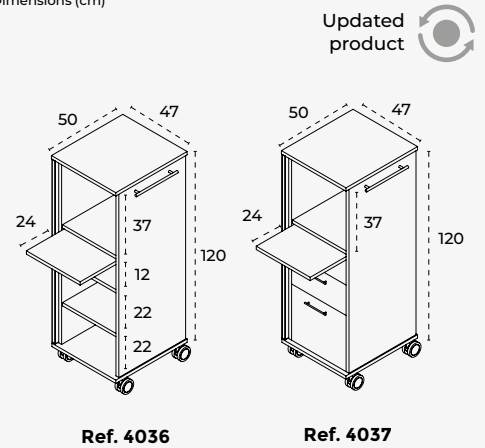
Ref.	Description	Qty.	cm (product)
BS0701	“Clip” information frame DIN A4	1	27 x 36 x 1,2
BS0702	“Clip” information frame DIN A3	1	36 x 48 x 1,2
BS0703	“Clip” information frame DIN A2	1	48 x 66 x 1,2
BS0704	“Clip” information frame DIN A1	1	66 x 91 x 1,2

## CADDY MULTIFUNCTION UNIT



Multifunction CADDY units made of 19 mm melamine, designed for complete and mobile workstations. Allow storing and transporting everything necessary for daily work. Include, depending on model, shelves and drawers, pull-out tray for computer equipment, cable management, label holder and Metal door with lock. Feature a 15° tilting top tray for video projections or presentations. Supplied partially assembled.

Dimensions (cm)



Ref.	Description	Qty.	cm (product)
4036	CADDY multifunction mobile unit with shelves - Grey structure	1	47 x 120 x 50
4037	CADDY multifunction mobile unit with drawers - Grey structure	1	47 x 120 x 50

## FILE TROLLEY FOLIO SIZE

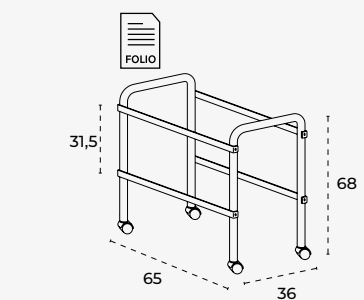


Mobile Metallic 2-level file trolley.  
Easy assembly.



(RAL 9005)

Dimensions (cm)



Ref.	Description	Qty.	cm (product)
300	Mobile file trolley	1	65 x 68 x 36

## LECTERN LUXE

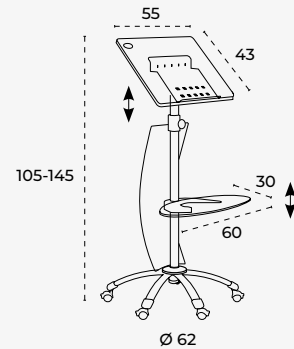


Mobile lectern for presentations. Chrome Metal structure. Top panel and tray made of tempered glass. Front Metal shield (shield dimensions: 25 cm width and 73 cm height). Height adjustment of the 2 trays by spring system. Microphone hole Ø3 cm.

Easy assembly.

Dimensions (cm)

Updated product



Ref.	Description	Qty.	cm (product)
3070	LECTERN LUXE speaker lectern	1	62 x 105-145 x 62

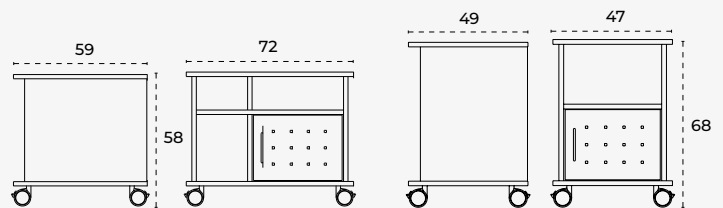
## MOBILE AUXILIARY TABLES



Mobile melamine tables. Perfect for photocopiers and large format accessories. Include Metal doors and designer castors.

Easy assembly.

Dimensions (cm)



Ref. 4020

Ref. 4030

Ref.	Description	Qty.	cm (product)
4020	Multifunction melamine table grey	1	72 x 58 x 59
4030	Multifunction melamine table grey	1	47 x 68 x 49

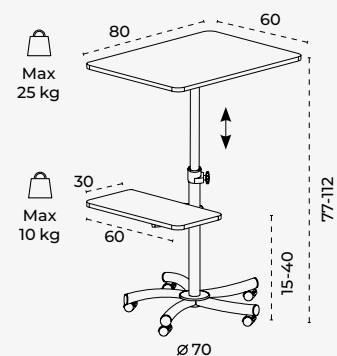
## MILAGRO WORK TABLES



Height adjustable mobile work tables by spring system. 2 height adjustable melamine trays allowing 360° rotation. Metal structure. Perfect for working standing or seated, offering perfect adaptation to current work needs.

Easy assembly.

Dimensions (cm)



Ref.	Description	Qty.	cm (product)
3050V24	Height adjustable mobile auxiliary table grey top	1	80 x 77-112 x 60

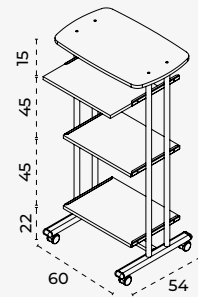
## MOBILE COMPUTER TABLE



Mobile computer table with Metal structure. All trays are movable through fixed Metal guide system. Stop positions allow shelves to be configured as needed.

Easy assembly.

Dimensions (cm)



Max 15 kg / shelving unit

Ref.	Description	Qty.	cm (product)
5220V22	High mobile auxiliary table with multi-level pull-out trays grey	1	68 x 126 x 54

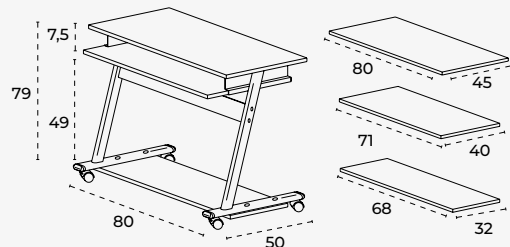
## MOBILE COMPUTER TABLE



Mobile computer table with locking system on front wheels, Metal structure, keyboard tray with Metal guides and stops.

Easy assembly.

Dimensions (cm)



Max 10 kg / shelving unit

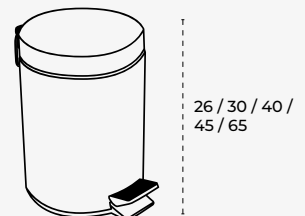
Ref.	Description	Qty.	cm (product)
9100	Mobile auxiliary table with pull-out tray grey	1	80 x 79 x 50

## PEDAL OPENING BINS



Round stainless steel pedal opening bins, manufactured from 18/0 grade A laminated steel sheet. Includes an injected black polypropylene inner bucket and a top lid with perimeter closure over the inner bucket. The inner bucket is completely inert to everyday products and even to aggressive chemical agents. Suitable for bathrooms in hotels, restaurants and collective facilities. Available in 3 different sizes.

Dimensions (cm)



Ø 17 / 21 / 25 / 29

Ref.	Description	Qty.	cm (product)
● COV-BIN03	3L stainless steel waste bin	1	17 x 26 x 17
● COV-BIN12	12L stainless steel waste bin	1	25 x 40 x 25
● COV-BIN20	20L stainless steel waste bin	1	29 x 45 x 29

● Product available while stocks last. Check other available models in the MAUL products section.

! = Finishes on request

Dimensions = width x height x depth (cm)

# SET

## **Workspaces that adapt to all types of needs.**

Furniture with outstanding design and quality to create work environments where communication and personal relationships are the main protagonists. The different product families that make up the SET series present various design solutions that provide users with total comfort based on the ergonomics of the different elements, so that the office becomes a friendly place to work and meet, where time can slow down to optimize the different processes carried out in each type of activity.



SET

# STAND

The high tables in the STAND line offer a combination of functionality and elegance. Ideal for collective work areas, coworking spaces, office areas, etc. Their structure with inclined legs gives the set a touch of distinction and design. Solid structure made of 30 x 30 mm steel tube composed of side legs and crossbars. The legs incorporate height-adjustable levelers of 2 cm. The legs incorporate height-adjustable levelers of 2 cm.

All painted according to the model. The tabletop is 25 mm thick melamine in the color according to the model and edged with 1 mm PVC in the same color. The STAND series features an additional structure to equip the series with all kinds of accessories to solve all needs in a more comfortable and practical way.

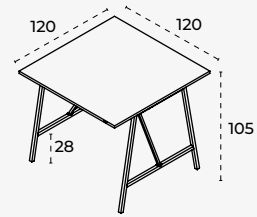


## STAND - INDIVIDUAL HIGH TABLES

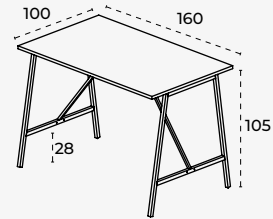


Dimensions (cm)

Updated product



Ref. 2007



Ref. 2009

Ref.	Description	Qty.	cm (surface)	cm (product)
● 2007XXXX	High table STAND painted structure / melamine top	1	120 x 120	120 x 120 x 105
● 2009XXXX	High table STAND painted structure / melamine top	1	160 x 100	160 x 100 x 105

● Consult for other finishes.

### WHITE STRUCTURE



### ANTHRACITE STRUCTURE



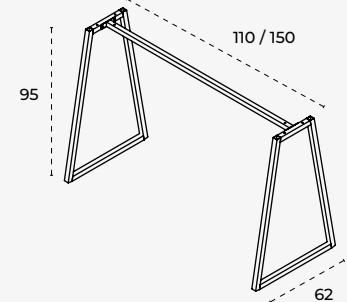
## STAND - UPPER STRUCTURES FOR HIGH TABLES



Upper structure from the STAND line to offer STAND high work tables the possibility of all types of accessories to help with multiple tasks. Magazine racks, trays (for plants, books, office products), boards for flowerpots, etc. Solid structure made of 30 x 30 mm steel tube formed by lateral legs and central crossbar. All painted according to model.



Dimensions (cm)



Ref.	Description	Qty.	cm (product)
● 2100X	STAND upper structure for 120cm high tables painted structure	1	110 x 62 x 95
● 2110X	STAND upper structure for 160cm high tables painted structure	1	150 x 62 x 95

● Consult for other finishes.

! = Finishes on request

Dimensions = width x height x depth (cm)

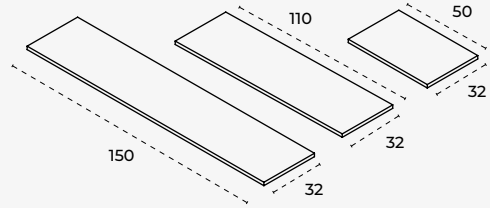
## STAND - MELAMINE TOPS FOR UPPER STRUCTURES



Melamine tops designed for the upper structures of the STAND series. Made of 19 mm melamine and 1 mm edging, they allow increasing work surface, storage, etc., while providing a more pleasant touch and enhancing the working environment.



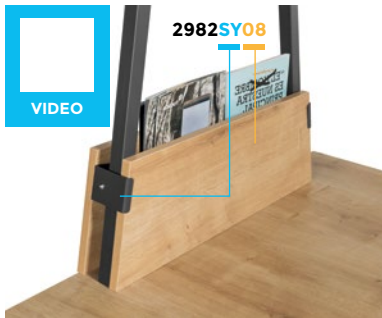
Dimensions (cm)



Ref.	Description	Qty.	cm (surface)	cm (product)
● 2983XX	150cm long top for STAND upper structure	1	150 x 32	150 x 32 x 2,5
● 2984XX	110cm long top for STAND upper structure	1	110 x 32	110 x 32 x 2,5
● 2988XX	50cm partial top for STAND upper structure	1	50 x 32	50 x 32 x 2,5

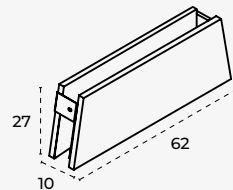
● Structure not included. Consult for other finishes.

## STAND - MAGAZINE RACKS FOR UPPER STRUCTURES



Magazine racks designed for the upper structures of the STAND series. Made of 19 mm melamine with 1 mm edging, they increase storage capacity while providing a more pleasant touch and enhancing the working environment.

Dimensions (cm)



Ref.	Description	Qty.	cm (product)
● 2982XXXX	Side magazine rack STAND in melamine	1	62 x 27 x 10

● Consult for other finishes.

### WHITE STRUCTURE



### ANTHRACITE STRUCTURE



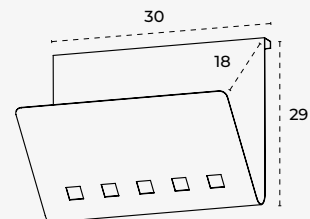
## STAND - SUSPENDED MAGAZINE RACKS FOR UPPER STRUCTURES



Suspended magazine racks designed for the upper structures of the STAND series. Made of sheet metal, they increase storage capacity.



Dimensions (cm)



Ref.	Description	Qty.	cm (product)
● 2980STX	Suspended metal magazine rack STAND	1	30 x 29 x 18

● Consult for other finishes.

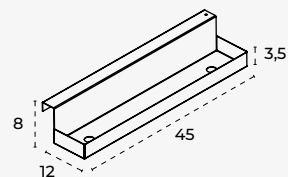
## STAND - SUSPENDED TRAY FOR UPPER STRUCTURES



Suspended trays designed for the upper structures of the STAND series. Made of sheet metal, they increase storage capacity and usability according to the needs of each moment.



Dimensions (cm)



Ref.	Description	Qty.	cm (product)
● <b>2902STX</b>	Suspended metal tray STAND	1	45 x 8 x 12

● Consult for other finishes.



SET

# TOTAL

The tables in the TOTAL series perfectly combine concepts such as robustness and lightness. Their solid steel structure composed of inverted U-shaped legs gives the table set a touch of distinction and design, enhancing the elements of its surroundings. Central crossbars made of 30 x 30 mm square-section steel tube fixed to the side legs through solid joints. Side legs made of 60 x 30 mm rectangular-section steel tube with 2 cm height-adjustable levelers. All painted in epoxy in the color according to the model. Tabletops made of 25 mm

thick melamine in the color according to the model and edged with 1 mm PVC in the same color.

Series with different table formats to furnish the different work areas that may make up any project, adapting to each space. Individual tables, auxiliary wings, 2- and 4-person bench systems, as well as their associated accessories (CPU holders, cable management, modesty panels...). Consult Rocada for available options and the possibility of custom-made special products.

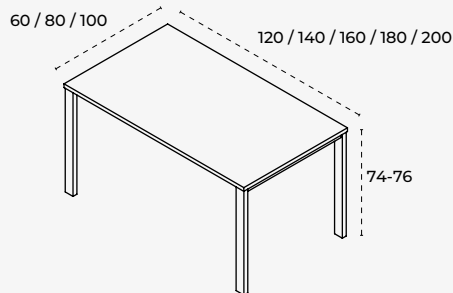


## TOTAL - INDIVIDUAL DESKS



Dimensions (cm)

Updated product



Ref.	Description	Qty.	cm (surface)	cm (product)
● 2000XXXX	TOTAL individual desk painted structure / melamine top	1	120 x 60	120 x 74 x 60
● 2001XXXX	TOTAL individual desk painted structure / melamine top	1	140 x 80	140 x 74 x 80
2002XXXX	TOTAL individual desk painted structure / melamine top	1	160 x 80	160 x 74 x 80
2003XXXX	TOTAL individual desk painted structure / melamine top	1	180 x 80	180 x 74 x 80
2004XXXX	TOTAL individual desk painted structure / melamine top	1	200 x 80	200 x 74 x 80
2005XXXX	TOTAL individual desk painted structure / melamine top	1	200 x 100	200 x 74 x 100

● Ref 2000: does not allow auxiliary return / Ref 2001: top size 138.8x80cm.

### GREY STRUCTURE



### WHITE STRUCTURE



### ANTHRACITE STRUCTURE

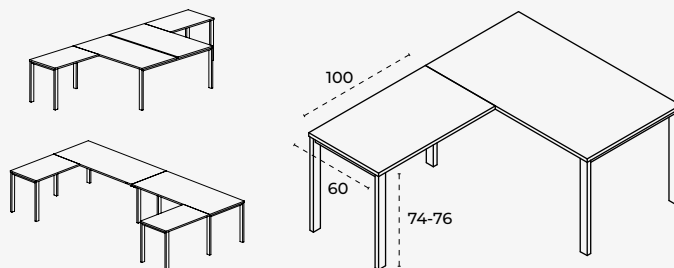


## TOTAL - AUXILIARY RETURNS



Dimensions (cm)

Updated product



Ref.	Description	Qty.	cm (surface)	cm (product)
2107XXXX	TOTAL auxiliary return painted structure / melamine top	1	100 x 60	100 x 74 x 60

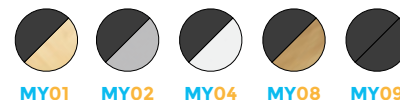
### GREY STRUCTURE



### WHITE STRUCTURE



### ANTHRACITE STRUCTURE



! = Finishes on request

Dimensions = width x height x depth (cm)

SET

# TOTAL - BENCH DESKS FOR 2 AND 4 WORKSTATIONS

SET



Dimensions (cm)

Updated product

Ref. 2213 / 2214 / 2201 / 2202

Ref. 2215 / 2216 / 2203 / 2204

Ref. 2221 / 2222 / 2209 / 2210

Ref.	Description	Qty.	cm (surface)	cm (product)
2213XXXX	TOTAL double desk painted structure / melamine top	1	120 x 163	120 x 74 x 163
2214XXXX	TOTAL double desk painted structure / melamine top	1	140 x 163	140 x 74 x 163
2201XXXX	TOTAL double desk painted structure / melamine top	1	160 x 163	160 x 74 x 163
2202XXXX	TOTAL double desk painted structure / melamine top	1	180 x 163	180 x 74 x 163
2215XXXX	TOTAL 4-workstation desk painted structure / melamine top	1	240 x 163	240 x 74 x 163
2216XXXX	TOTAL 4-workstation desk painted structure / melamine top	1	280 x 163	280 x 74 x 163
2203XXXX	TOTAL 4-workstation desk painted structure / melamine top	1	320 x 163	320 x 74 x 163
2204XXXX	TOTAL 4-workstation desk painted structure / melamine top	1	360 x 163	360 x 74 x 163
2221XXXX	TOTAL double linear desk painted structure / melamine top	1	240x 80	240 x 74 x 80
2222XXXX	TOTAL double linear desk painted structure / melamine top	1	280 x 80	320 x 74 x 80
2209XXXX	TOTAL double linear desk painted structure / melamine top	1	320 x 80	320 x 74 x 80
2210XXXX	TOTAL double linear desk painted structure / melamine top	1	360 x 80	360 x 74 x 80

### GREY STRUCTURE



### WHITE STRUCTURE



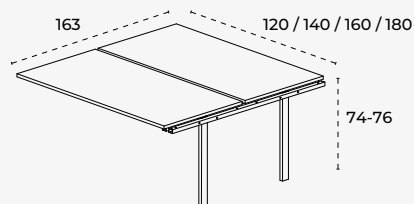
### ANTHRACITE STRUCTURE



## TOTAL - DOUBLE EXTENSION MODULES



Dimensions (cm)



Ref.	Description	Qty.	cm (surface)	cm (product)
2223XXXX	120 cm extension module TOTAL double painted structure / melamine top	1	120 x 163	120 x 74 x 163
2224XXXX	140 cm extension module TOTAL double painted structure / melamine top	1	140 x 163	140 x 74 x 163
2225XXXX	160 cm extension module TOTAL double painted structure / melamine top	1	160 x 163	160 x 74 x 163
2226XXXX	180 cm extension module TOTAL double painted structure / melamine top	1	180 x 163	180 x 74 x 163

### GREY STRUCTURE



### WHITE STRUCTURE



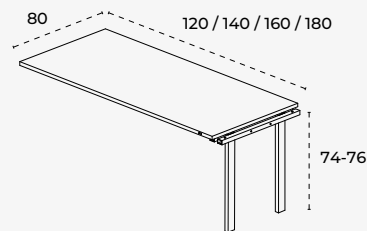
### ANTHRACITE STRUCTURE



## TOTAL - LINEAR EXTENSION MODULES



Dimensions (cm)



Ref.	Description	Qty.	cm (surface)	cm (product)
2227XXXX	120cm extension module TOTAL linear painted frame / melamine top	1	120 x 80	120 x 74 x 80
2228XXXX	140cm extension module TOTAL linear painted frame / melamine top	1	140 x 80	140 x 74 x 80
2229XXXX	160cm extension module TOTAL linear painted frame / melamine top	1	160 x 80	160 x 74 x 80
2230XXXX	180cm extension module TOTAL linear painted frame / melamine top	1	180 x 80	180 x 74 x 80

### GREY STRUCTURE



### WHITE STRUCTURE



### ANTHRACITE STRUCTURE



! = Finishes on request

Dimensions = width x height x depth (cm)

SET

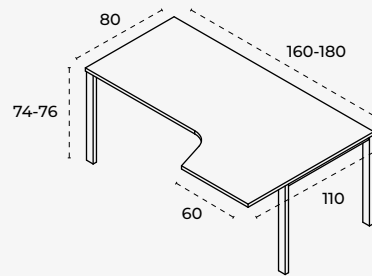
# TOTAL - INDIVIDUAL L DESKS

2053MM08

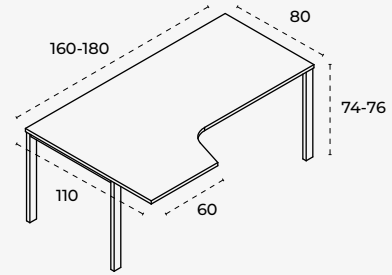


Dimensions (cm)

Updated product 



Ref. 2051 / 2052



Ref. 2053 / 2054

Ref.	Description	Qty.	cm (surface)	cm (product)
2051XXXX	TOTAL L-shaped desk right painted structure / melamine top	1	160 x 80-110	160 x 74 x 110
2052XXXX	TOTAL L-shaped desk right painted structure / melamine top	1	180 x 80-110	180 x 74 x 110
2053XXXX	TOTAL L-shaped desk left painted structure / melamine top	1	160 x 80-110	160 x 74 x 110
2054XXXX	TOTAL L-shaped desk left painted structure / melamine top	1	180 x 80-110	180 x 74 x 110

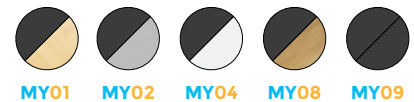
### GREY STRUCTURE



### WHITE STRUCTURE




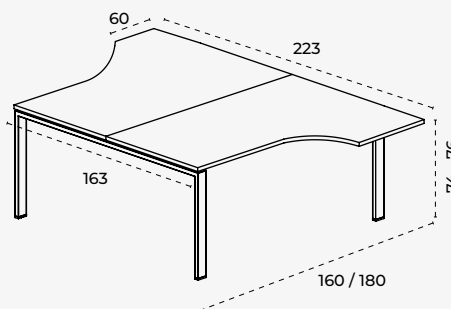
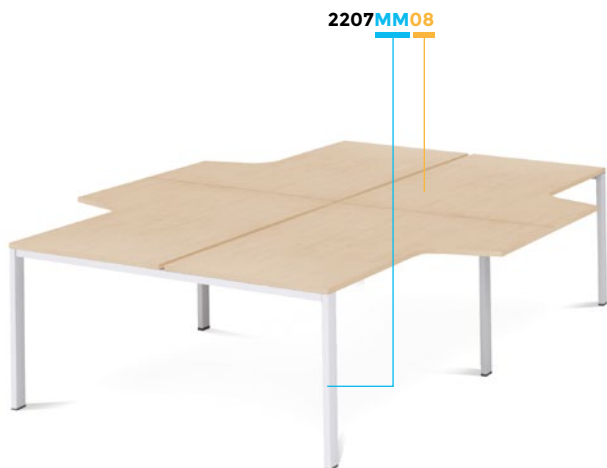
### ANTHRACITE STRUCTURE



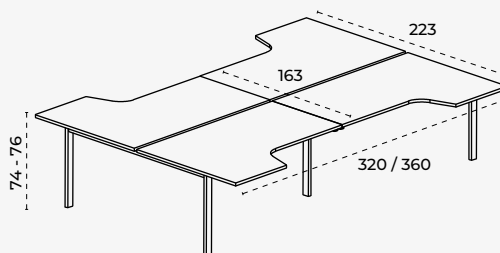
# TOTAL - "L" BENCH DESKS FOR 2 AND 4 WORKSTATIONS

Dimensions (cm)

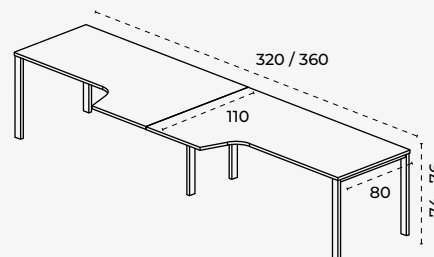
Updated product 



Ref. 2205 / 2206



Ref. 2207 / 2208



Ref. 2211 / 2212

Ref.	Description	Qty.	cm (surface)	cm (product)
2205XXXX	TOTAL double L-shaped desk painted structure / melamine top	1	160 x 163-223	160 x 74 x 223
2206XXXX	TOTAL double L-shaped desk painted structure / melamine top	1	180 x 163-223	180 x 74 x 223
2207XXXX	TOTAL 4-workstation L-shaped desk painted structure / melamine top	1	320 x 163-223	320 x 74 x 223
2208XXXX	TOTAL 4-workstation L-shaped desk painted structure / melamine top	1	360 x 163-223	360 x 74 x 223
2211XXXX	TOTAL double linear L-shaped desk painted structure / melamine top	1	320 x 80-110	320 x 74 x 110
2212XXXX	TOTAL double linear L-shaped desk painted structure / melamine top	1	360 x 80-110	360 x 74 x 110

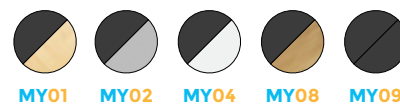
### GREY STRUCTURE



### WHITE STRUCTURE



### ANTHRACITE STRUCTURE



 = Finishes on request

Dimensions = width x height x depth (cm)

SET

# EXECUTIVE

The tables in the EXECUTIVE series are defined by a design based on refined and minimalist executive lines that come to life in noble materials such as steel and glass. Their solid steel structure composed of inverted U-shaped legs and a perimeter frame gives the table set a balanced and functional aesthetic, enhancing the elements of its surroundings.

Perimeter crossbars made of 30 x 40 mm rectangular-section steel tube fixed to the side legs through solid joints made of cast aluminum. Side legs made of 60 x 60 mm square-section steel tube with 5 cm height-adjustable levelers. All painted in epoxy in the color

according to the model. Tabletops made of 25 mm thick melamine in the color according to the model and edged with 1 mm PVC in the same color.

Series with different table formats to furnish the different work areas that may make up any project, adapting to each space. Individual tables, auxiliary wings, 2- and 4-person bench systems, etc., as well as their associated accessories (CPU holders, cable management, modesty panels...). Consult Rocada for available options and the possibility of custom-made special products.



## EXECUTIVE - SINGLE DESKS

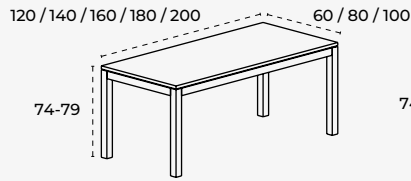


2003AM08

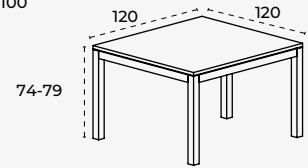


Dimensions (cm)

Updated product



Ref. 2000 / 2001 / 2002 / 2003 / 2004 / 2005 / 2006

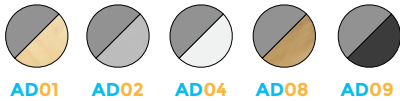


Ref. 2007

Ref.	Description	Qty.	cm (surface)	cm (product)
● 2000XXXX	EXECUTIVE single desk painted structure / melamine top	1	120 x 60	120 x 74 x 60
● 2001XXXX	EXECUTIVE single desk painted structure / melamine top	1	140 x 80	140 x 74 x 80
2002XXXX	EXECUTIVE single desk painted structure / melamine top	1	160 x 80	160 x 74 x 80
2003XXXX	EXECUTIVE single desk painted structure / melamine top	1	180 x 80	180 x 74 x 80
2004XXXX	EXECUTIVE single desk painted structure / melamine top	1	200 x 80	200 x 74 x 80
2005XXXX	EXECUTIVE single desk painted structure / melamine top	1	200 x 100	200 x 74 x 100
2006XXXX	EXECUTIVE single desk painted structure / melamine top	1	120 x 80	120 x 74 x 80
2007XXXX	EXECUTIVE single desk painted structure / melamine top	1	120 x 120	120 x 74 x 120

● Ref 2000: does not accept an auxiliary wing. Ref 2001: top size 138.8x80cm

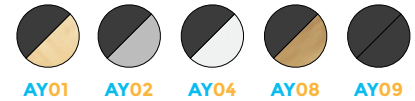
### GREY STRUCTURE



### WHITE STRUCTURE



### ANTHRACITE STRUCTURE



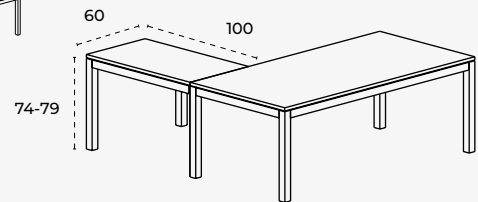
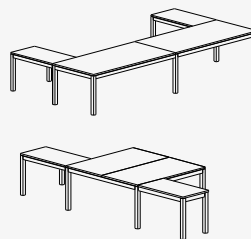
## EXECUTIVE - AUXILIARY RETURNS

2107AM08



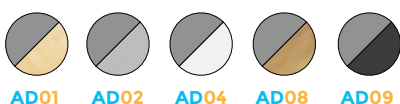
Dimensions (cm)

Updated product



Ref.	Description	Qty.	cm (surface)	cm (product)
2107XXXX	EXECUTIVE auxiliary return painted structure / melamine top	1	100 x 60	100 x 74 x 60

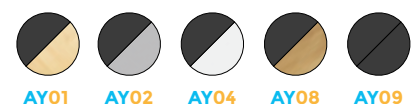
### GREY STRUCTURE



### WHITE STRUCTURE



### ANTHRACITE STRUCTURE



! = Finishes on request

Dimensions = width x height x depth (cm)

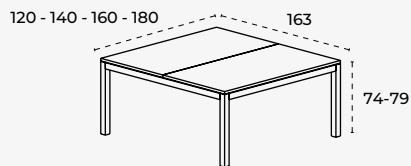
# EXECUTIVE - 2 AND 4 WORKSTATION BENCH DESKS

SET

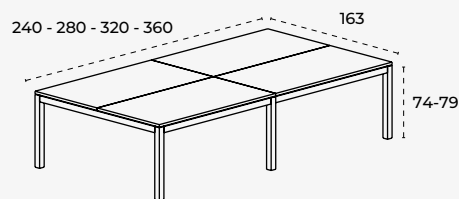


Dimensions (cm)

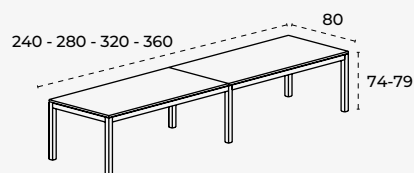
Updated product



Ref. 2213 / 2214 / 2201 / 2202



Ref. 2215 / 2216 / 2203 / 2204



Ref. 2221 / 2222 / 2209 / 2210

Ref.	Description	Qty.	cm (surface)	cm (product)
2213XXXX	Double EXECUTIVE desk painted structure / melamine top	1	120 x 163	120 x 74 x 163
2214XXXX	Double EXECUTIVE desk painted structure / melamine top	1	140 x 163	140 x 74 x 163
2201XXXX	Double EXECUTIVE desk painted structure / melamine top	1	160 x 163	160 x 74 x 163
2202XXXX	Double EXECUTIVE desk painted structure / melamine top	1	180 x 163	180 x 74 x 163
2215XXXX	EXECUTIVE desk 4 workstations painted structure / melamine top	1	240 x 163	240 x 74 x 163
2216XXXX	EXECUTIVE desk 4 workstations painted structure / melamine top	1	280 x 163	280 x 74 x 163
2203XXXX	EXECUTIVE desk 4 workstations painted structure / melamine top	1	320 x 163	320 x 74 x 163
2204XXXX	EXECUTIVE desk 4 workstations painted structure / melamine top	1	360 x 163	360 x 74 x 163
2221XXXX	Double linear EXECUTIVE desk painted structure / melamine top	1	240x 80	240 x 74 x 80
2222XXXX	Double linear EXECUTIVE desk painted structure / melamine top	1	280 x 80	280 x 74 x 80
2209XXXX	Double linear EXECUTIVE desk painted structure / melamine top	1	320 x 80	320 x 74 x 80
2210XXXX	Double linear EXECUTIVE desk painted structure / melamine top	1	360 x 80	360 x 74 x 80

### GREY STRUCTURE



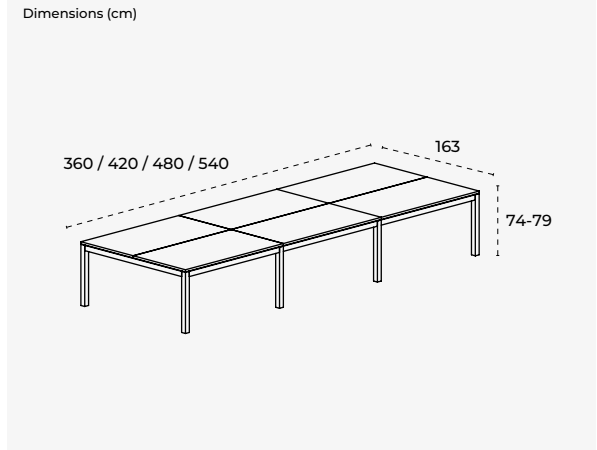
### WHITE STRUCTURE



### ANTHRACITE STRUCTURE



## EXECUTIVE - BENCH DESKS FOR 6 WORKSTATIONS



Ref.	Description	Qty.	cm (surface)	cm (product)
2217XXXX	EXECUTIVE desk 6 workstations painted structure / melamine top	1	360 x 163	360 x 74 x 163
2218XXXX	EXECUTIVE desk 6 workstations painted structure / melamine top	1	420 x 163	420 x 74 x 163
2219XXXX	EXECUTIVE desk 6 workstations painted structure / melamine top	1	480 x 163	480 x 74 x 163
2220XXXX	EXECUTIVE desk 6 workstations painted structure / melamine top	1	540 x 163	540 x 74 x 163

### GREY STRUCTURE



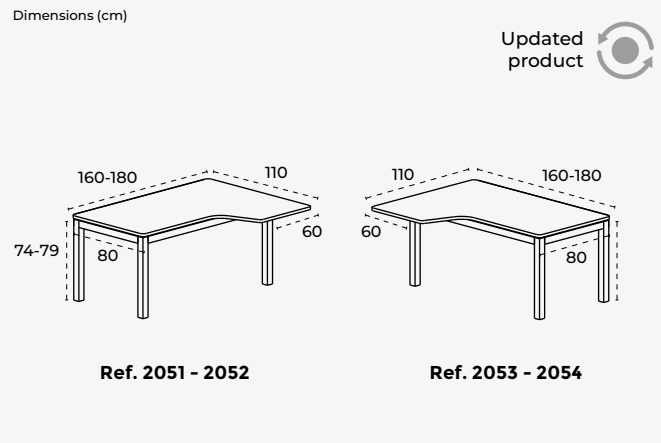
### WHITE STRUCTURE



### ANTHRACITE STRUCTURE



## EXECUTIVE - INDIVIDUAL "L" DESKS



Ref.	Description	Qty.	cm (surface)	cm (product)
2051XXXX	EXECUTIVE desk L-shaped right painted structure / melamine top	1	160 x 80-110	160 x 74 x 110
2052XXXX	EXECUTIVE desk L-shaped right painted structure / melamine top	1	180 x 80-110	180 x 74 x 110
2053XXXX	EXECUTIVE desk L-shaped left painted structure / melamine top	1	160 x 80-110	160 x 74 x 110
2054XXXX	EXECUTIVE desk L-shaped left painted structure / melamine top	1	180 x 80-110	180 x 74 x 110

### GREY STRUCTURE



### WHITE STRUCTURE



### ANTHRACITE STRUCTURE



! = Finishes on request

Dimensions = width x height x depth (cm)

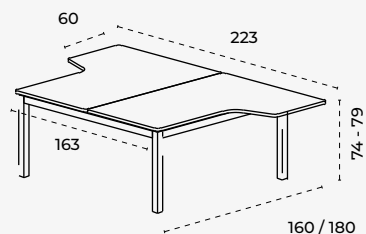
# EXECUTIVE - "L" BENCH DESKS FOR 2 AND 4 WORKSTATIONS

SET

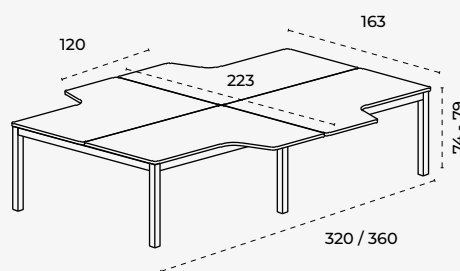


Dimensions (cm)

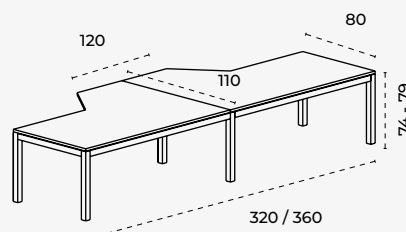
Updated product



Ref. 2205 / 2206



Ref. 2207 / 2208



Ref. 2211 / 2212

Ref.	Description	Qty.	cm (surface)	cm (product)
2205XXXX	EXECUTIVE double L-shape desk with painted structure / melamine top	1	160 x 163-223	160 x 74 x 223
2206XXXX	EXECUTIVE double L-shape desk with painted structure / melamine top	1	180 x 163-223	180 x 74 x 223
2207XXXX	EXECUTIVE desk 4 workstations L-shaped painted structure / melamine top	1	320 x 163-223	320 x 74 x 223
2208XXXX	EXECUTIVE desk 4 workstations L-shaped painted structure / melamine top	1	360 x 163-223	360 x 74 x 223
2211XXXX	Double linear EXECUTIVE L-shape desk painted structure / melamine top	1	320 x 80-110	320 x 74 x 110
2212XXXX	Double linear EXECUTIVE L-shape desk painted structure / melamine top	1	360 x 80-110	360 x 74 x 110

### GREY STRUCTURE



### WHITE STRUCTURE



### ANTHRACITE STRUCTURE



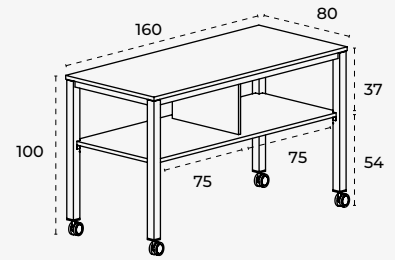
# EXECUTIVE - MOBILE WORK TABLES



Work tables from the EXECUTIVE range designed to meet the needs of tasks performed while standing. With a lower structure that allows storage of objects. These tables can be used as counters, work tables or meeting tables in office and industrial environments.

Dimensions (cm)

Updated product



Ref.	Description	Qty.	cm (surface)	cm (product)
2008XXXX	EXECUTIVE work table with painted structure / melamine top	1	160 x 80	160 x 100 x 80

### GREY STRUCTURE



### WHITE STRUCTURE



# METAL

The tables in the METAL series are defined by their total adaptability to all types of work environments, regardless of their demands. Their solid steel structure composed of inverted T-shaped legs and a large metal crossbar gives the table set a functional and adaptive aesthetic, enhancing the elements of its surroundings.

The METAL series combines straight shapes in individual tables and curved shapes in L-shaped tables. Central crossbar made of rectangular-section steel sheet fixed to the side legs through a solid joining system. Side legs made of steel sheet with 2 cm height-adjustable levelers. Structure designed for internal cable routing along its entire length, which remains completely hidden and

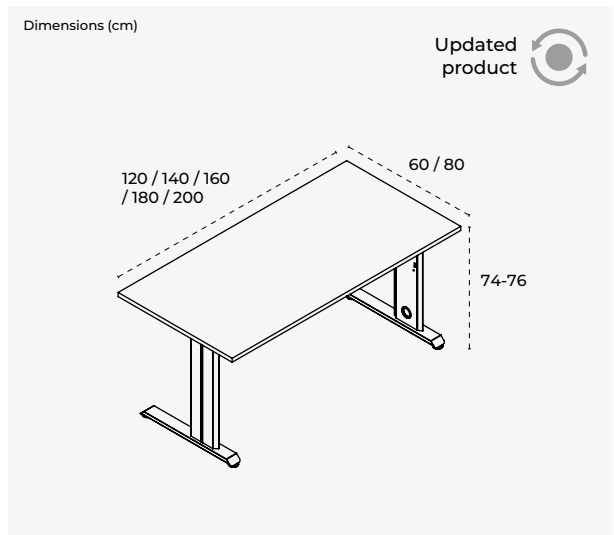
integrated thanks to the metal side trims. All painted in epoxy in the color according to the model.

Tabletops made of 25 mm thick melamine in the color according to the model and edged with 1 mm PVC in the same color. Its different table formats allow furnishing the different work areas that may make up any project, adapting to each space. Individual tables, auxiliary wings, L-shaped tables..., as well as their associated accessories (CPU holders, cable management, modesty panels...).

Consult Rocada for available options and the possibility of custom-made special products.



## METAL - INDIVIDUAL TABLES



Ref.	Description	Qty.	cm (surface)	cm (product)
● 2000XXXXX	METAL individual table with painted structure / melamine top	1	120 x 60	120 x 74 x 60
● 2001XXXXX	METAL individual table with painted structure / melamine top	1	140 x 80	140 x 74 x 80
2002XXXXX	METAL individual table with painted structure / melamine top	1	160 x 80	160 x 74 x 80
2003XXXXX	METAL individual table with painted structure / melamine top	1	180 x 80	180 x 74 x 80
2004XXXXX	METAL individual table with painted structure / melamine top	1	200 x 80	200 x 74 x 80

● Ref 2000: does not support auxiliary wing. Ref 2001: top size 138.8x80cm.

### GREY STRUCTURE



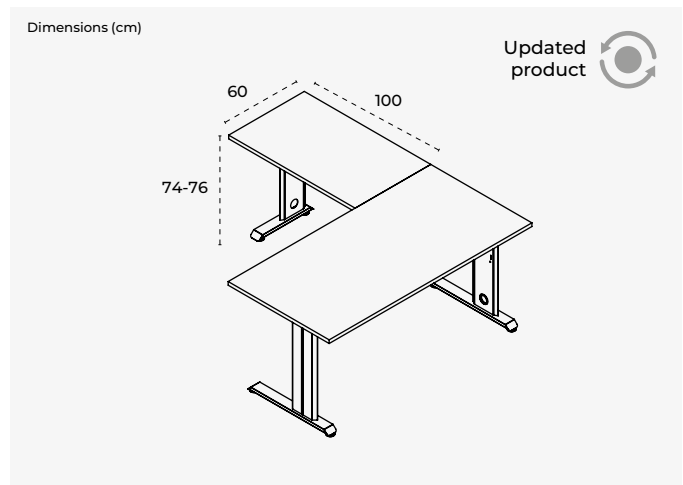
### WHITE STRUCTURE



### ANTHRACITE STRUCTURE



## METAL - AUXILIARY WINGS



Ref.	Description	Qty.	cm (surface)	cm (product)
2102XXXXX	METAL auxiliary wing with painted structure / melamine top	1	100 x 60	100 x 74 x 60

### GREY STRUCTURE



### WHITE STRUCTURE



### ANTHRACITE STRUCTURE



! = Finishes on request

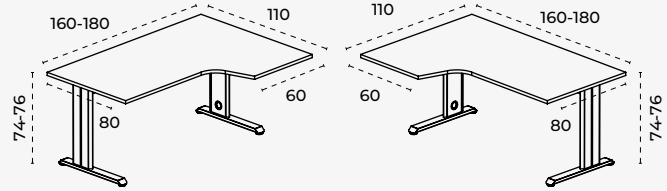
Dimensions = width x height x depth (cm)

## METAL - INDIVIDUAL L DESKS



Dimensions (cm)

Updated product



Ref. 2051 - 2052

Ref. 2053 - 2054

Ref.	Description	Qty.	cm (surface)	cm (product)
● 2051XXXXX	L-shape METAL desk, right side, with painted structure / melamine top	1	160 x 110	160 x 74 x 110
● 2052XXXXX	L-shape METAL desk, right side, with painted structure / melamine top	1	180 x 110	180 x 74 x 110
● 2053XXXXX	L-shape METAL desk left side with painted structure / melamine top	1	160 x 110	160 x 74 x 110
● 2054XXXXX	L-shape METAL desk left side with painted structure / melamine top	1	180 x 110	180 x 74 x 110

● IMPORTANT NOTE: To complete the purchase of an individual METAL L desk, you must purchase the column for L desks (Ref: 2945) or our melamine pedestal without castors (Ref: 4005 or 4006).

### GREY STRUCTURE



AC01 AC02 AC04 AC08 AC09

### WHITE STRUCTURE



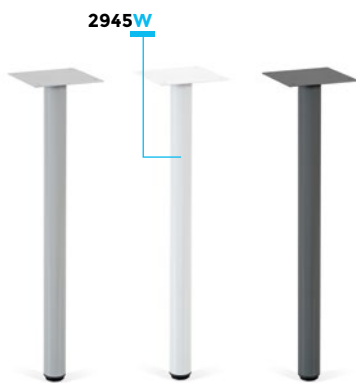
ACW01 ACW02 ACW04 ACW08 ACW09

### ANTHRACITE STRUCTURE



ACY01 ACY02 ACY04 ACY08 ACY09

## COLUMN FOR "L" METAL TABLES

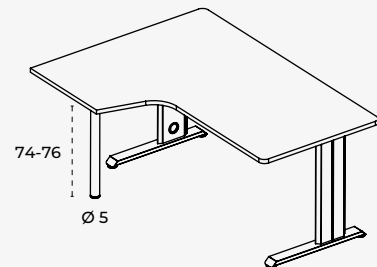


Support columns for all METAL tables with "L"-shaped tabletop. Height adjustable up to 2 cm.

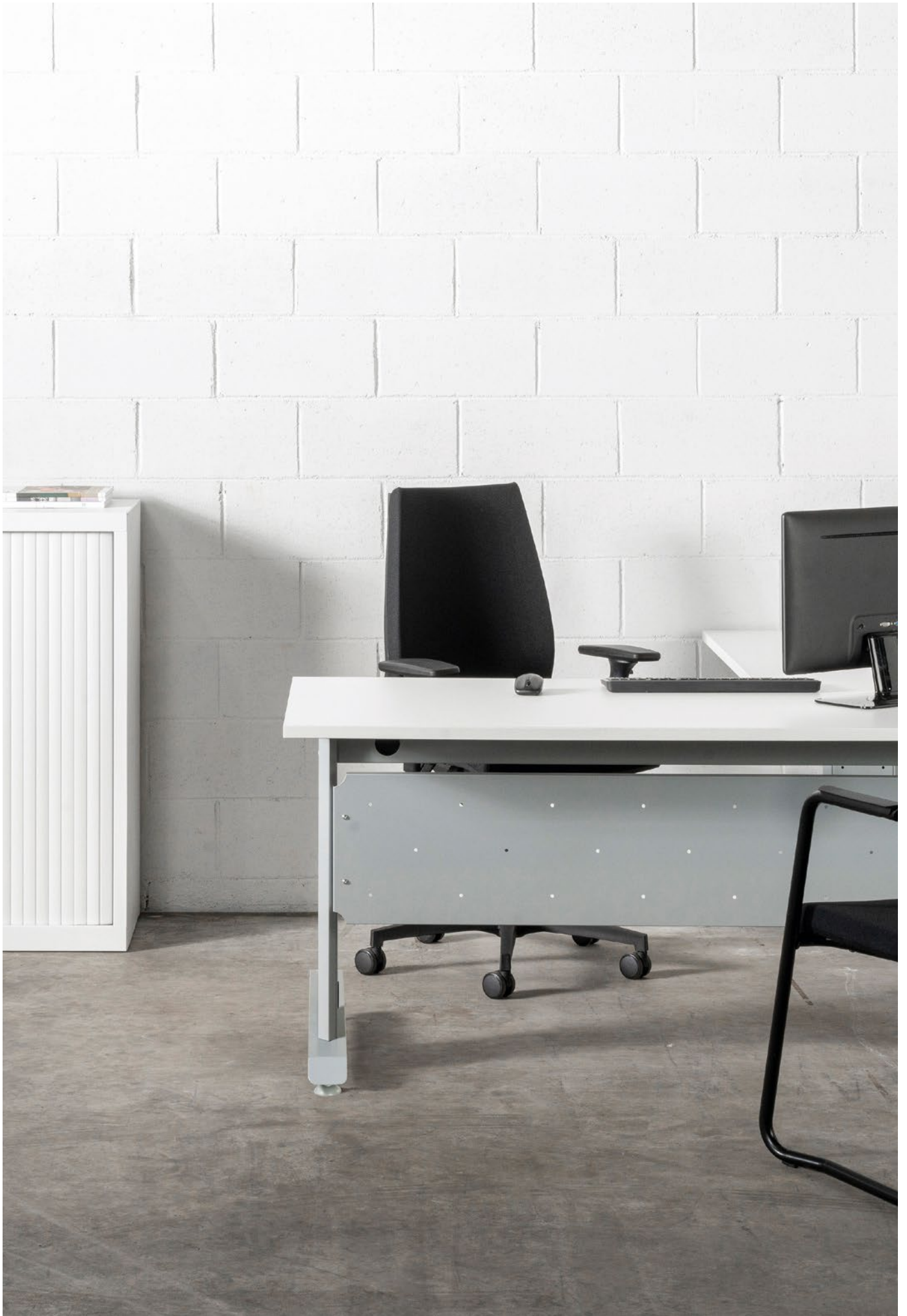


Dimensions (cm)

Updated product



Ref.	Description	Qty.	cm (product)
2945X	Column for "L" METAL tables	1	16 x 74-76 x 16



SET

# WORK

The tables in the WORK series are defined by their simplicity of forms and high visual consistency. Their solid melamine structure composed of side legs and integrated modesty panel gives the table set an aesthetic of straight, simple and versatile shapes, ideal for all types of environments.

The WORK series combines straight shapes in individual tables and curved shapes in L-shaped tables. Central crossbar made of 19 mm thick melamine fixed to side legs made of 25 mm thick melamine with 2 cm height

adjustment. Tabletops made of 25 mm thick melamine and edged with 1 mm PVC. Various melamine finishes combined according to the model.

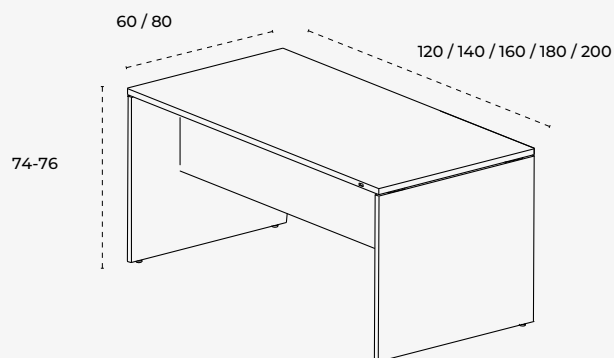
The crossbar design allows agile and quick cable routing. Series with different table formats to furnish the different work areas that may make up any project, adapting to each space. Individual tables, auxiliary wings, L-shaped tables..., as well as their associated accessories (CPU holders, cable management, electrification system...). Consult Rocada for available options and the possibility of custom-made special products.



# WORK - INDIVIDUAL DESKS

Dimensions (cm)

Updated product 



SET

Ref.	Description	Qty.	cm (surface)	cm (product)
● 2000XXXXV26	WORK individual desk melamine structure / melamine top	1	120 x 60	120 x 74 x 60
● 2001XXXXV26	WORK individual desk melamine structure / melamine top	1	140 x 80	140 x 74 x 80
2002XXXXV26	WORK individual desk melamine structure / melamine top	1	160 x 80	160 x 74 x 80
2003XXXXV26	WORK individual desk melamine structure / melamine top	1	180 x 80	180 x 74 x 80
2004XXXXV26	WORK individual desk melamine structure / melamine top	1	200 x 80	200 x 74 x 80

● Ref 2000: does not support auxiliary wing. Ref 2001: top size 138.8x80cm.

### BEECH STRUCTURE



### GREY STRUCTURE



### WHITE STRUCTURE




### OAK STRUCTURE



### ANTHRACITE STRUCTURE



 = Finishes on request

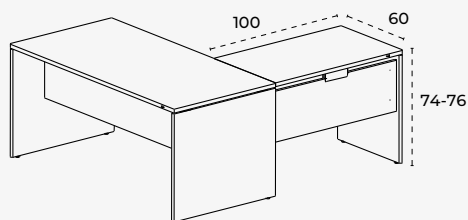
Dimensions = width x height x depth (cm)

## WORK - AUXILIARY WINGS



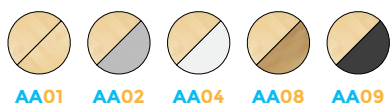
Dimensions (cm)

Updated product



Ref.	Description	Qty.	cm (surface)	cm (product)
2102XXXXV26	WORK auxiliary wing melamine structure / melamine top	1	100 x 60	100 x 74 x 60

### BEECH STRUCTURE



### GREY STRUCTURE



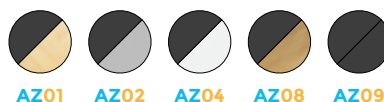
### WHITE STRUCTURE



### OAK STRUCTURE



### ANTHRACITE STRUCTURE

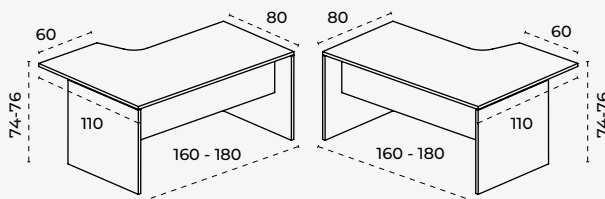


## WORK - INDIVIDUAL "L" DESKS



Dimensions (cm)

Updated product



Ref. 2051 - 2052

Ref. 2053 - 2054

Ref.	Description	Qty.	cm (surface)	cm (product)
2051XXXXV26	WORK L-shaped desk right painted structure / melamine top	1	160 x 110	160 x 74 x 110
2052XXXXV26	WORK L-shaped desk right painted structure / melamine top	1	180 x 110	180 x 74 x 110
2053XXXXV26	WORK desk L-shaped left painted structure / melamine top	1	160 x 110	160 x 74 x 110
2054XXXXV26	WORK desk L-shaped left painted structure / melamine top	1	180 x 110	180 x 74 x 110

### BEECH STRUCTURE



### GREY STRUCTURE



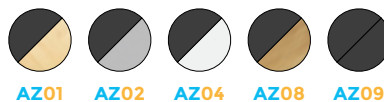
### WHITE STRUCTURE



### OAK STRUCTURE



### ANTHRACITE STRUCTURE





SET

# SET COMPLEMENTS

Our table accessories are designed to enhance functionality, organization and aesthetics in professional workspaces. The range includes metal modesty panels that provide visual solidity and privacy, solutions for proper electrification organization that facilitate cable management, CPU bases that optimize space and

improve ergonomics, surface dividers that help define and organize workstations, and trims for double tables that ensure a uniform and elegant finish. Together, these accessories help create efficient, organized work environments with a polished and professional image.



SET

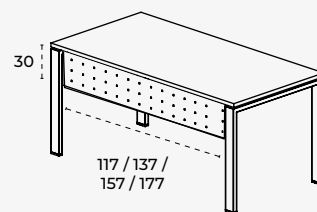
## TOTAL - MODESTY PANEL



Metallic modesty panel for tables from the TOTAL and BLANCA ranges, made of sheet metal.



Dimensions (cm)



Ref.	Description	Qty.	cm (product)
3939X	TOTAL - Metallic modesty panel for table 140 cm	1	117 x 30 x 1
3940X	TOTAL - Metallic modesty panel for table 160 cm	1	137 x 30 x 1
3941X	TOTAL - Metallic modesty panel for table 180 cm	1	157 x 30 x 1
3942X	TOTAL - Metallic modesty panel for table 200 cm	1	177 x 30 x 1

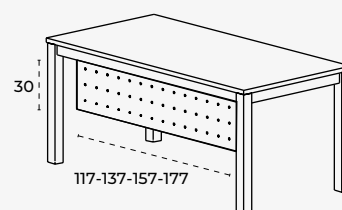
## EXECUTIVE - MODESTY PANEL



Metallic modesty panel for the EXECUTIVE table, made of sheet steel painted in epoxy color depending on the model. Available in gray, white, anthracite and silver.



Dimensions (cm)

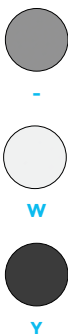


Ref.	Description	Qty.	cm (product)
2939X	EXECUTIVE - Metallic modesty panel for table 140 cm	1	117 x 30 x 3
2940X	EXECUTIVE - Metallic modesty panel for table 160 cm	1	137 x 30 x 3
2941X	EXECUTIVE - Metallic modesty panel for table 180 cm	1	157 x 30 x 3
2942X	EXECUTIVE - Metallic modesty panel for table 200 cm	1	177 x 30 x 3

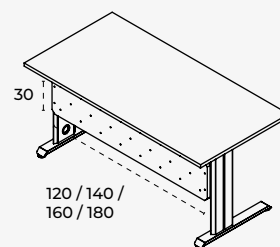
## METAL - MODESTY PANEL



Metallic modesty panel for the METAL table, made of sheet steel painted in epoxy color depending on the model. Available in grey, white and anthracite.



Dimensions (cm)



Ref.	Description	Qty.	cm (product)
2935X	METAL - Metallic modesty panel for table 140 cm	1	120 x 30 x 3
2936X	METAL - Metallic modesty panel for table 160 cm	1	140 x 30 x 3
2937X	METAL - Metallic modesty panel for table 180 cm	1	160 x 30 x 3
2938X	METAL - Metallic modesty panel for table 200 cm	1	180 x 30 x 3

## METAL / WORK - 90° ANGLES

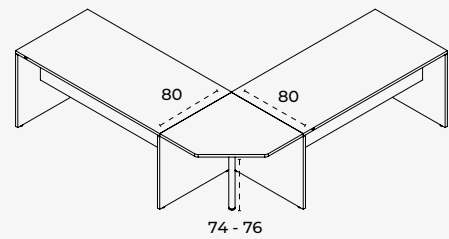
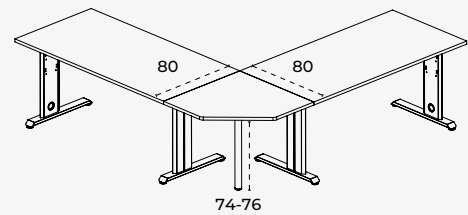
2907 **ACW01**



Ideal accessory for creating 90° configurations, providing more space and functionality to the overall setup. Made of 25 mm melamine, colour according to model, edged with 1 mm PVC in the same colour. Metal column leg painted in epoxy grey, white or anthracite with 10 cm height adjustment. Connected using joining pieces on the underside of the surfaces. Available for WORK and METAL series desks.

Dimensions (cm)

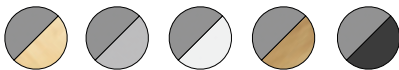
Updated product



SET

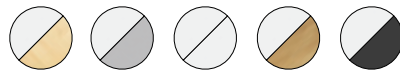
Ref.	Description	Qty.	cm (surface)	cm (product)
2907XXXXX	90° angle with height adjustment painted structure / melamine top	1	80 x 80	80 x 74-76 x 80

### GREY STRUCTURE



AG01 AG02 AG04 AG08 AG09

### WHITE STRUCTURE



ACW01 ACW02 ACW04 ACW08 ACW09

### ANTHRACITE STRUCTURE



ACY01 ACY02 ACY04 ACY08 ACY09

## TOTAL / EXECUTIVE / WORK - CPU HOLDERS

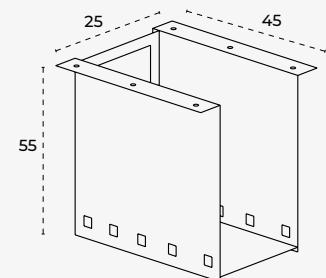
2943 **W**



CPU holders ideal for keeping computer equipment organised. Made of 1.5 mm thick folded steel sheet. Can be fixed to the melamine tops of TOTAL, EXECUTIVE and WORK series desks. The openings in the steel allow proper cable connection and optimal ventilation.

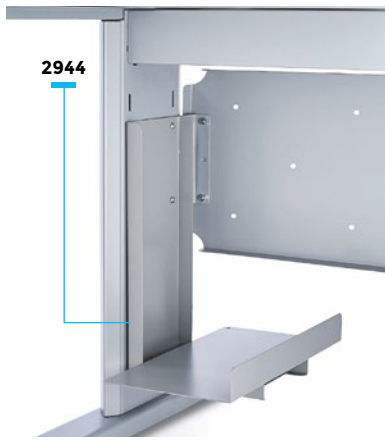


Dimensions (cm)



Ref.	Description	Qty.	cm (product)
2943X	CPU holder for desk with melamine top	1	25 x 55 x 45

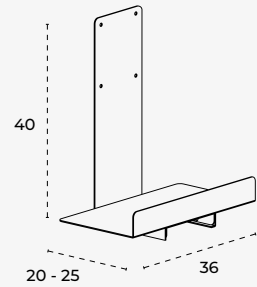
## METAL - CPU HOLDERS



CPU holders ideal for keeping computer equipment organised. Made of epoxy-painted steel sheet in colour according to model. Available in grey, white and anthracite. Compatible with our METAL desks.



Dimensions (cm)



Ref.	Description	Qty.	cm (product)
2944X	CPU holder for METAL desks	1	20-25 x 40 x 36

## CABLE MANAGEMENT

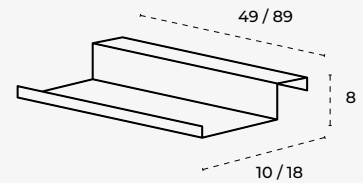


2922W

Cable trays to install under desks, designed for better cable organisation across our entire desk range, both melamine-top and glass-top desks. Metal sheet structure painted in epoxy colour according to model. Available in grey, white and anthracite. Ref. 2922 accessory for desks from 140 cm.



Dimensions (cm)



2921W

Ref.	Description	Qty.	cm (product)
2921X	Cable tray	1	49 x 6 x 10
2922X	Large cable tray	1	89 x 8 x 18

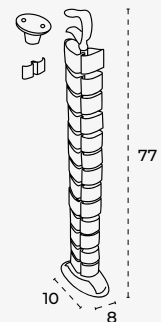
● Ref. 2922: accessory for tables from 140 cm.

## ELECTRIFICATION



Column-format membrane cable management, a good solution to keep cables organised. Aluminium colour. Articulated cable management for office desks. Fixed to the desk top using screws (included) or with a clamp to adapt to glass surfaces. A very good solution to keep cables tidy. Organises and arranges electronic device cables on the desk to prevent tangling. Made of PVC, aluminium grey finish.

Dimensions (cm)



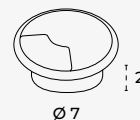
Ref.	Description	Qty.	cm (product)
2901	Column membrane cable management aluminium colour	1	10 x 77 x 8

## GROMMETS AND CONNECTION BOXES

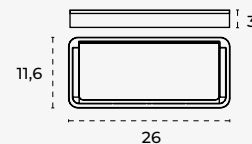


Circular and rectangular cable grommets with hinged cover, designed to conceal machining in melamine boards. Empty or factory-equipped connection boxes with 3 SCHUKO units, 2 RJ45 units, and 2 metres of AC cable. Circular grommet: 6 cm machining. Rectangular grommet: 25.1x10.7 cm machining. Rectangular connection box: 300x110 cm machining.

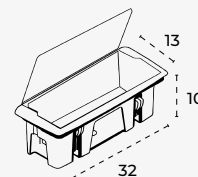
Dimensions (cm)



Ref. P4001



Ref. P4002



Ref. 2964 / 2965

Ref.	Description	Qty.	cm (machining)	cm (product)
ZMEC	Board machining (design according to order)	1		-
P4001	Circular grommet - grey	1	Ø 6	7 x 2 x 7
P4001B	Circular grommet - black	1	Ø 6	7 x 2 x 7
P4001W	Circular grommet - white	1	Ø 6	7 x 2 x 7
P4002	Rectangular grommet - grey	1	25,1 x 10,7	26 x 3 x 11,6
P4002B	Rectangular grommet - black	1	25,1 x 10,7	26 x 3 x 11,6
P4002W	Rectangular grommet - white	1	25,1 x 10,7	26 x 3 x 11,6
2964	Rectangular connection box + 3 schuko + 2RJ45 + 2m cable	1	30 x 11	32 x 13 x 10
2965	Empty rectangular connection box	1	30 x 11	32 x 13 x 10

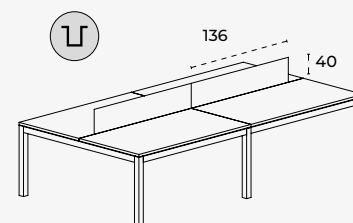
● Zmec: Only for melamine boards.

## DIVIDERS FOR EXECUTIVE BENCH DESKS



Dividers specifically designed for EXECUTIVE 2 and 4 workstation bench desks. They are exclusively manufactured in 25 mm thick melamine, with finish according to the model and 1 mm PVC edge banding in the same colour. The anchoring systems adapt to the table configuration, ensuring a stable and functional installation.

Dimensions (cm)



ref. 2903AE

Ref.	Description	Qty.	cm (surface)	cm (product)
2903AEXX	Melamine divider for EXECUTIVE bench desk	1	136 x 40	136 x 40 x 2,5



## DIVIDERS FOR DESKS WITH MELAMINE TOP



The different types of dividers adapt to the needs of each installation. Their various sizes allow configuring the desired privacy at any time. Available in 25 mm melamine. Colour according to model, edged in 1 mm PVC in the same colour.

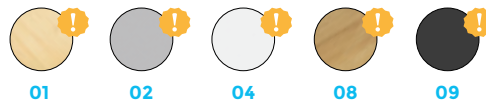
Dimensions (cm)

Ref. 2905IE

Ref. 2905AE

Ref. 2903IE

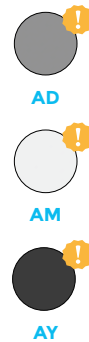
Ref.	Description	Qty.	cm (surface)	cm (product)
2903IEXX	Melamine divider / Melamine top	1	136 x 40	136 x 40 x 2,5
2905AEXX	Melamine divider / Melamine top	1	70 x 40	70 x 40 x 2,5
2905IEXX	Melamine divider / Melamine top	1	70 x 40	70 x 40 x 2,5



## DECORATIVE COVERS FOR BENCH DESKS



Rectangular tube trim pieces designed to prevent the separation between Bench table tops. Made of steel tube and finished with epoxy paint in the color according to the model.



Dimensions (cm)

Updated product

Ref.	Description	Qty.	cm (product)
2958XX	120cm cover panel desk / melamine top	1	120 x 3 x 2
2959XX	140cm cover panel desk / melamine top	1	140 x 3 x 2
2960XX	160cm cover panel desk / melamine top	1	160 x 3 x 2
2961XX	180cm cover panel desk / melamine top	1	180 x 3 x 2

# PHONON

Range of acoustic panels that adapt to the technical and aesthetic requirements of each project. Made of technical PET polymer, they provide excellent acoustic absorption for both public and private spaces, making sound perception a pleasant experience. Acoustic panels are especially useful for controlling early reflections as well as reverberation time in mid-high and

high frequencies. An innovative and elegant product that brings acoustic improvement to your workspace in offices, meeting rooms, call centers, videoconference rooms, etc. Available in different sizes, colors and various application methods (consult for study of each application).



## TABLE TOP ACOUSTIC DIVIDERS



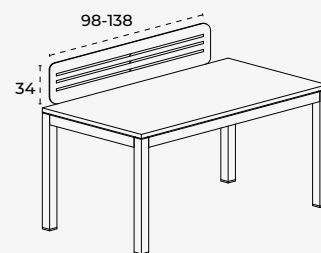
Our range of desktop acoustic panels is designed to enhance acoustic comfort and privacy in open workspaces. These panels reduce ambient noise and define workstations, creating a more pleasant and productive environment. The panels are made from high-quality sound-absorbing materials.

### FINISHES PET PHONON



1

Dimensions (cm)



Ref.	Description	Qty.	cm (surface)	cm (product)
3904-1	Table top acoustic dividers	1	98 x 34	98 x 34 x 5
3906-1	Table top acoustic dividers	1	138 x 34	138 x 34 x 5

## ACOUSTIC WALL PANEL

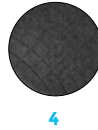


Our range of wall acoustic panels is designed to improve acoustic comfort in various spaces by reducing reverberation and ambient noise. These panels help create quieter and more productive environments, whether in offices, meeting rooms, restaurants, or other shared spaces. They are made from high-quality sound-absorbing materials to ensure optimal acoustic performance and an elegant design.

### FINISHES PET PHONON

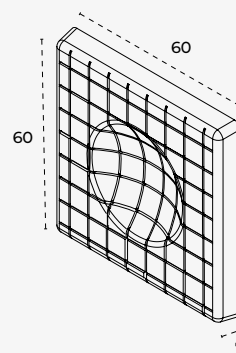


1



4

Dimensions (cm)



Ref.	Description	Qty.	cm (surface)	cm (product)
3940-1	Acoustic wall panel - grey	1	60 x 60	60 x 60 x 7
3940-4	Acoustic wall panel - black	1	60 x 60	60 x 60 x 7



# STORE

The STORE series is designed to meet the different needs of each work environment, not only in terms of storage and functionality but also new criteria of division, space demarcation and visual comfort.

The STORE series consists of modules made of 25 mm and 19 mm melamine depending on components and functionalities, as well as modules manufactured in steel to provide greater protection and resistance. Series with different cabinet and drawer unit formats to furnish

the different work areas that may make up any project, adapting to each space. Open shelving with minimalist design, melamine cabinets with doors, filing frames, open units, metal cabinets with sliding doors, hinged doors, filing cabinets, drawer units, etc.

Consult Rocada for available options and the possibility of custom-made special products.

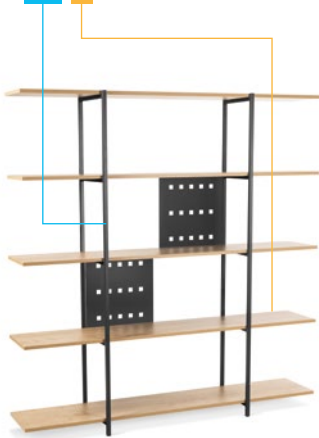


## OPEN SHELVING UNITS WITH METAL STRUCTURE, 3 OR 5 LEVELS

1420ACY08

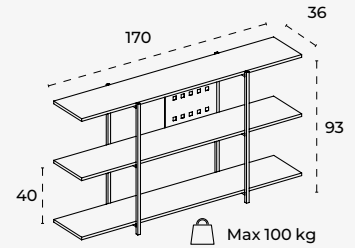


1430ACY08

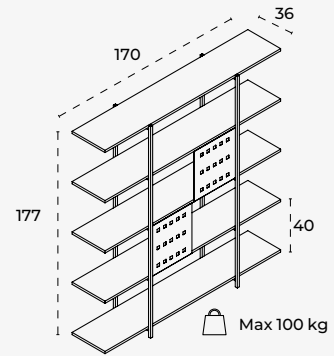


Open shelving unit with different shelf levels for open-plan spaces, allowing work environments to be divided and areas with different levels of privacy to be created using plants, decoration and office elements. Shelves made of 19 mm thick melamine. Structure made of 20 x 20 mm steel tube. Includes 1 or 2 metal cover panels that provide additional stability to the structure while creating areas of greater privacy.

Dimensions (cm)



Ref. 1420



Ref. 1430

Ref.	Description	Qty.	cm (surface)	cm (product)
● 1420XXXXXX	Open melamine shelving unit with 3 levels, metal structure and melamine shelves	1	170 x 36	170 x 93 x 36
● 1430XXXXXX	Open melamine shelving unit with 5 levels, metal structure and melamine shelves	1	170 x 36	170 x 177 x 36

● Consult for other finishes

### WHITE STRUCTURE



### ANTHRACITE STRUCTURE

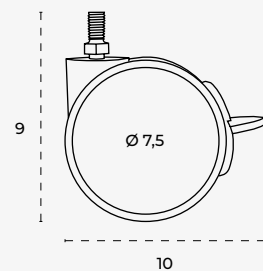


## WHEELS FOR SHELVES



Set of 4 high-resistance wheels with a diameter of 75mm for shelves (shelving with a metal structure and melamine shelves / levels).

Dimensions (cm)



Max 25 kg / wheel

Ref.	Description	Qty.	cm (product)
1490	Wheels for shelves	4	10 x 9 x 6

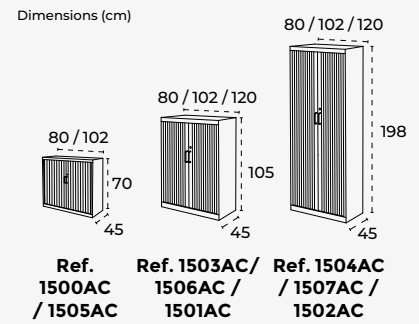
! = Finishes on request

Dimensions = width x height x depth (cm)

## METAL BLIND CABINETS



A range of high strength, high quality metal cabinets. The perfect solution for storing and classifying files and documents. The cabinets include levelers made of steel sheet. Lockable louvered doors made from technical polymer and height-adjustable metal shelves included (for classifying DIN A4 size hanging folders). Epoxy painted, color depending on the model. They are delivered assembled as standard.



Ref.	Description	Qty.	cm (product)
1500ACXXV25	Cupboard metal blind cabinet - 1 shelf included	1	80 x 70 x 45
1503ACXXV25	Cupboard metal blind cabinet - 2 shelves included	1	80 x 105 x 45
1504ACXXV25	Cupboard metal blind cabinet - 4 shelves included	1	80 x 198 x 45
1505ACXXV25	Cupboard metal blind cabinet - 1 shelf included	1	102 x 70 x 45
1506ACXXV25	Cupboard metal blind cabinet - 2 shelves included	1	102 x 105 x 45
1507ACXXV25	Cupboard metal blind cabinet - 4 shelves included	1	102 x 198 x 45
1501ACXXV25	Cupboard metal blind cabinet - 2 shelves included	1	120 x 105 x 45
1502ACXXV25	Cupboard metal blind cabinet - 4 shelves included	1	120 x 198 x 45

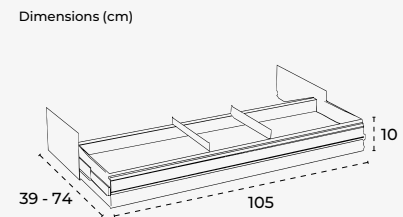
● Cabinets with a width of 80 cm do not include a top end guide for hanging files.



## FOLDER ACCESSORY

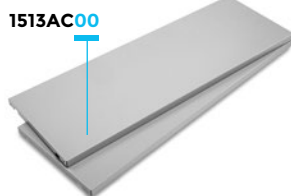


Telescopic frame compatible with our 120 cm wide metal cabinets. Allows filing of hanging folders in different sizes simply by moving the central rods. Metal guides with bearings make it easier to search and remove documents when pulling them out of the cabinet body.

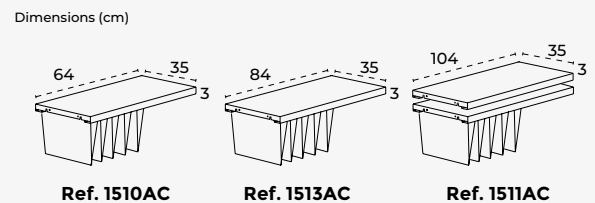


Ref.	Description	Qty.	cm (product)
1512AC	Accessory for folders for 120 cm metal cabinets	1	105 x 39-74 x 10

## METAL SHELVES FOR BLIND CABINETS



Metal shelves for metal blind cabinets. Made of 0,8 mm thick steel sheet and painted in epoxy, color depending on the model. Takes DIN A4 size hanging folders.



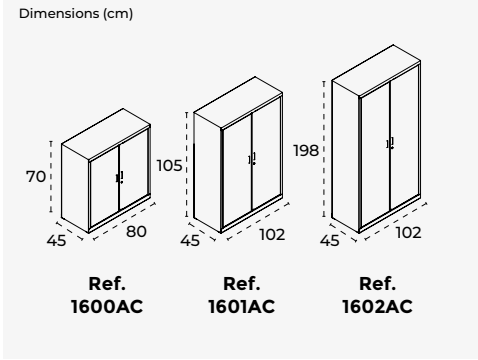
Ref.	Description	Qty.	cm (product)
1510ACXX	Metal shelf for blind cabinets ref. 1500AC / 1503AC / 1504AC	1	64 x 3 x 35
1513ACXX	Metal shelf for blind cabinets ref. 1505AC / 1506AC / 1507AC	1	84 x 3 x 35
1511ACXX	Metal shelves for blind cabinets ref. 1501AC / 1502AC	2	104 x 3 x 35



## TWO DOORS METAL CABINET



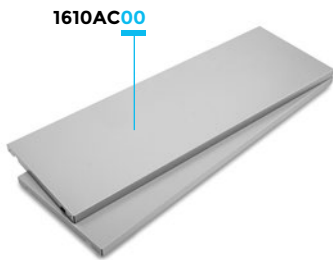
A range of high strength, high quality metal cabinets painted in epoxy, color depending on the model. The perfect solution for storing and classifying files and documents. They include levelers made of steel sheet. Hinged 0,7 mm steel doors with internal reinforcement and safety lock with a built-in handle. Height-adjustable metal shelves included (supporting DIN A4 hanging classifiers). They are delivered assembled as standard.



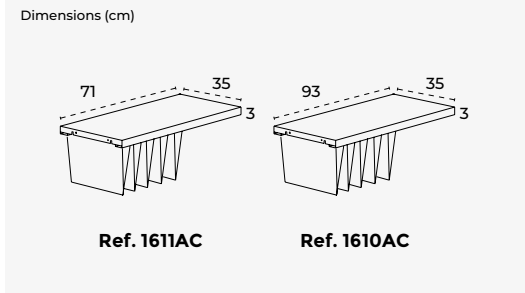
Ref.	Description	Qty.	cm (product)
1600ACXX	Two doors metal cabinet. 1 shelf is included	1	80 x 70 x 45
1601ACXX	Two doors metal cabinet. 2 shelves are included	1	102 x 105 x 45
1602ACXX	Two doors metal cabinet. 4 shelves are included	1	102 x 198 x 45



## METAL SHELVES FOR METAL CABINETS



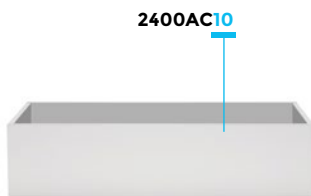
Metal shelves for metal hinged door cabinets. Made of 0,8 mm thick steel sheet and painted in epoxy, color depending on the model. Takes DIN A4 size hanging folders.



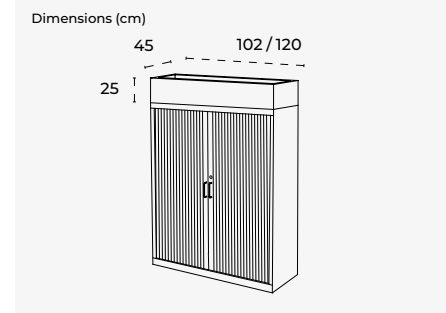
Ref.	Description	Qty.	cm (product)
1611ACXX	Metal shelves for metal cabinets ref 1600AC	1	71 x 3 x 35
1610ACXX	Metal shelves for metal cabinets ref 1601AC / 1602AC	1	93 x 3 x 35



## FLOWER POTS FOR METALLIC CUPBOARDS



Monobloc flower pots made of highly rigid and stable epoxy-painted steel sheet. It includes a liquid collection drainage tray inside. The tray is made of black polystyrene. Available for cabinets with widths of 120cm and 102cm. Available in colours that match the cabinets. Add a fresher and more pleasant feeling to your workspace.



Ref.	Description	Qty.	cm (product)
2400ACXX	Flower pots for metallic cupboards of 120cm	1	120 x 25 x 45
2402ACXX	Flower pots for metallic cupboards of 102cm	1	102 x 25 x 45



## METAL FILING CABINETS



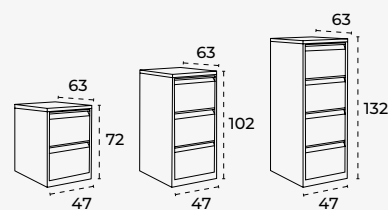
VIDEO

1651AC00



Metal filing cabinets for hanging classifiers, designed to store and maintain the order of your documents. With a wide variety of sizes and colors painted in epoxy, color depending on the model, so you can choose a combination that easily fits your business style and needs. Made of steel sheet between 0.6 and 0.8 mm thick. Drawers with metal guides and high-strength bearings with full extension, with centralized locking and non-tip safety system. A moving bar allows archiving DIN A4 and Letter sizes. Complies with BS4875 regulations (section 7). Supplied assembled. 5-year warranty.

Dimensions (cm)



Ref. 1650AC Ref. 1651AC Ref. 1652AC

Ref.	Description	Qty.	cm (product)
1650ACXX	Metal filing cabinets. 2 drawers	1	47 x 72 x 63
1651ACXX	Metal filing cabinets. 3 drawers	1	47 x 102 x 63
1652ACXX	Metal filing cabinets. 4 drawers	1	47 x 132 x 63



00



10



11



12



15



# MELAMINE CABINETS WITH TOP



Updated product

Dimensions (cm)

Ref. 1101      Ref. 1103      Ref. 1104

Ref. 1055      Ref. 1057      Ref. 1058

Ref. 1004      Ref. 1005

Wide range of cabinets that, thanks to their soft straight lines, perfectly match all our furniture series. They are available in multiple colour finishes, allowing them to adapt to any style. Structure made of 19 mm thick melamine, edged with 1 mm PVC. The back panel is made of 3 mm thick MDF painted on both sides in the colour according to the model. All 25 mm shelves included. Filing cabinets accommodate all types of folders thanks to their adjustable structure. Cabinets with hinged doors are equipped with a lock and 2 folding keys. Metal handles with metallic finish.

Ref.	Description	Qty.	cm (product)
1101XXXXV24	Melamine cabinet with top without doors	1	90 x 195 x 45
1103XXXXV24	Melamine cabinet with top and low doors	1	90 x 195 x 45
1104XXXXV24	Melamine cabinet with top and full doors	1	90 x 195 x 45
1055XXXXV24	Melamine cabinet with top without doors	1	90 x 156 x 45
1057XXXXV24	Melamine cabinet with top and low doors	1	90 x 156 x 45
1058XXXXV24	Melamine cabinet with top and full doors	1	90 x 156 x 45
1004XXXXV24	Melamine cabinet with top without doors	1	90 x 78 x 45
1005XXXXV24	Melamine cabinet with top and full doors	1	90 x 78 x 45

### BEECH STRUCTURE



### GREY STRUCTURE



### WHITE STRUCTURE



### OAK STRUCTURE



### ANTHRACITE STRUCTURE



= Finishes on request

Dimensions = width x height x depth (cm)

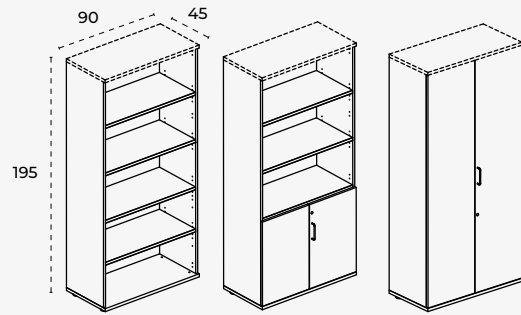
# MELAMINE CABINETS WITHOUT TOP

1053AW21V24



Dimensions (cm)

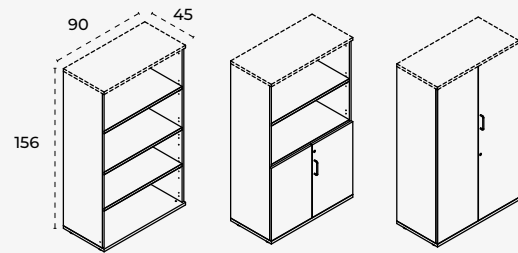
Updated product



Ref. 1109

Ref. 1113

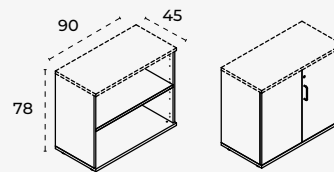
Ref. 1114



Ref. 1051

Ref. 1053

Ref. 1054



Ref. 1001

Ref. 1003

Wide range of cabinets that, thanks to their soft straight lines, fit perfectly with all our furniture series. Available in multiple colour finishes, allowing adaptation to any style. Structure made of 19 mm thick melamine, edged with 1 mm PVC. The back panel is made of 3 mm thick painted MDF in the colour according to the model on both sides. All 25 mm shelves included. Filing cabinets accommodate all types of folders thanks to their adjustable structure. Cabinets with hinged doors are equipped with a lock with 2 folding keys. Metal handles with metallic finish.

Ref.	Description	Qty.	cm (product)
● 1109 XX 00V24	Melamine cabinet without top and without doors	1	90 x 195 x 45
● 1113XXXXV24	Melamine cabinet without top and with low doors	1	90 x 195 x 45
● 1114XXXXV24	Melamine cabinet without top and with full doors	1	90 x 195 x 45
● 1051XX00V24	Melamine cabinet without top and without doors	1	90 x 156 x 45
● 1053XXXXV24	Melamine cabinet without top and with low doors	1	90 x 156 x 45
● 1054XXXXV24	Melamine cabinet without top and with full doors	1	90 x 156 x 45
● 1001XX00V24	Melamine cabinet without top and without doors	1	90 x 78 x 45
● 1003XXXXV24	Melamine cabinet without top and with full doors	1	90 x 78 x 45

● IMPORTANT NOTE: You must complete the cabinets by purchasing the top panel (ref: 1903 or 1904), depending on whether you require a 180 cm top for two cabinets or a 90 cm top for a single cabinet.

## BEECH STRUCTURE



## GREY STRUCTURE



## WHITE STRUCTURE



## OAK STRUCTURE



## ANTHRACITE STRUCTURE



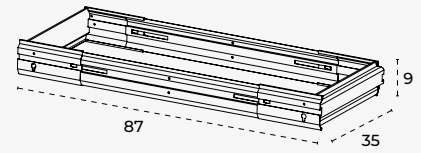
## PULL-OUT FRAME FOR HANGING FILES FOR MELAMINE CABINETS



Metal hanging file frame designed to maximise space inside 90 cm wide cabinets. Accommodates different hanging file sizes and includes an anti-tilt system as standard, ensuring stability, safety and comfortable use even in intensive work environments.

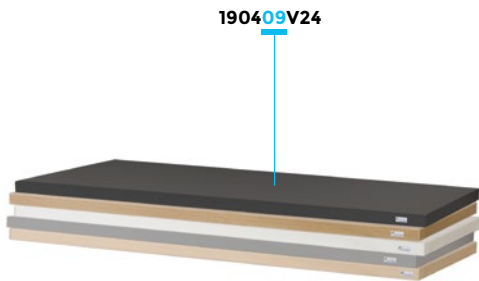
Turn your cabinet into a practical, organised and professional filing solution.

Dimensions (cm)



Ref.	Description	Qty.	cm (product)
1911	Filing frame for melamine cabinets with anti-tip system	1	87 x 9 x 35

## TOPS FOR MELAMINE CABINETS

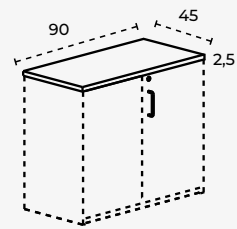


190409V24

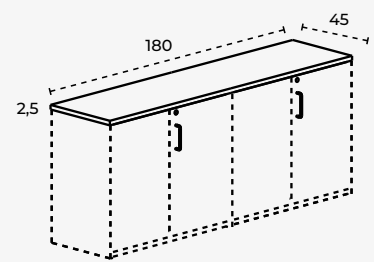
Tops made of 25 mm thick melamine in the colour according to the product, edged in 1 mm PVC in the same colour. Tops with reference 1903 are ideal for joining two cabinets of the same height.

Dimensions (cm)

Updated product



Ref. 1904

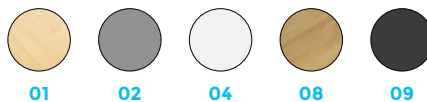


Ref. 1903

Ref.	Description	Qty.	cm (product)
1904XXV24	Individual top for cabinets without top	1	90 x 45 x 2,5
1903XXV24	Double top for cabinets without top	1	180 x 45 x 2,5

IMPORTANT NOTE: Top required to complete your order consisting of melamine cabinets without top and/or melamine cabinets with glass doors.

### Finishes



= Finishes on request

Dimensions = width x height x depth (cm)

## SHELVES FOR MELAMINE CABINETS

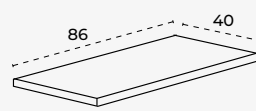
1905AR00



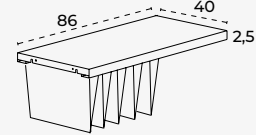
Melamine and metal shelves for melamine cabinets. 2.5 cm thick melamine shelves available in beech, grey, white or oak finish. Metal shelves made of 0.8 mm steel sheet are suitable for A4 hanging folders.

Dimensions (cm)

Updated product



Ref. 1905



Ref. 1906AC00

Ref.	Description	Qty.	cm (product)
1905XX00	Melamine shelf for melamine cabinets	1	86 x 40 x 2,5
1906AC00	Metal shelf for melamine cabinets	1	86 x 40 x 2,5

### FINISHES



## UPPER PLANTERS FOR MELAMINE CABINETS

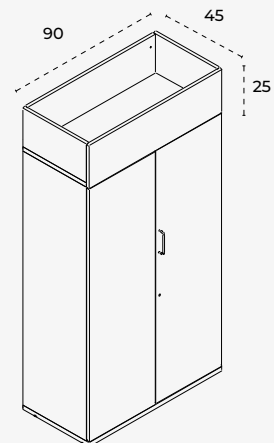
2300AA04



Planters made of 19 mm thick melamine with high rigidity and stability, designed for different styles of artificial plants or other ornaments (without liquid drainage system). Available for 90 cm melamine cabinets. Colours matching the cabinets. Add a fresher and more pleasant touch to your workspace.

Dimensions (cm)

Updated product



Ref.	Description	Qty.	cm (product)
2300XXXX	90cm wide melamine planter	1	90 x 45 x 25

Plants and bark not included / Planter compatible with 90 x 45 cm cabinets without top.

### FINISHES



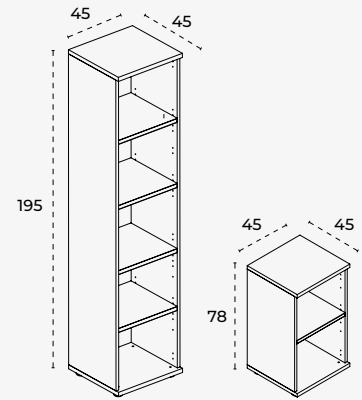
# MELAMINE COLUMN CABINETS



Wide range of cabinets that, thanks to their soft straight lines, fit perfectly with all our furniture series. Available in multiple colour finishes, allowing adaptation to any style. Structure made of 19 mm thick melamine, edged with 1 mm PVC. The back panel is made of 3 mm thick painted MDF in the colour according to the model on both sides. All 25 mm shelves included.

Dimensions (cm)

Updated product



Ref. 1105

Ref. 1007

Ref.	Description	Qty.	cm (product)
1105XXXXV24	Melamine column cabinet	1	45 x 195 x 45
1007XXXXV24	Melamine column cabinet	1	45 x 78 x 45

### BEECH STRUCTURE



### GREY STRUCTURE



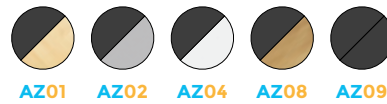
### WHITE STRUCTURE



### OAK STRUCTURE



### ANTHRACITE STRUCTURE



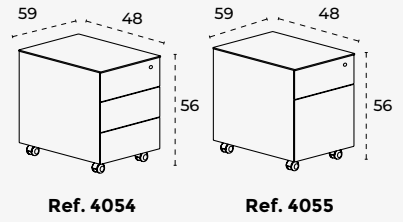
## MOBILE METALLIC DRAWERS



Metal drawer cabinets designed with soft, modern lines that will match all kinds of furniture.

They include guides, centralized locking with two keys, and a tipping-protection system. Structure and drawers made from epoxy painted sheet metal, color depending on the model. The classifier drawer takes DIN A4 folders. The wheels are fitted with a brake system for correct fixing.

Dimensions (cm)



SET

Ref.	Description	Qty.	cm (product)
4054ACXX	Mobile buck with 3 drawers	1	59 x 56 x 48
4055ACXX	Mobile buck with 1 drawer + 1 file	1	59 x 56 x 48

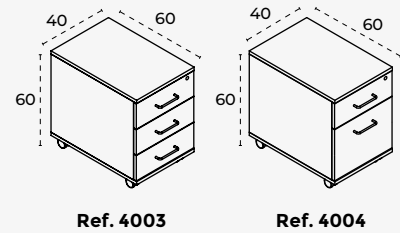


## MELAMINE MOBILE PEDESTALS WITH CASTORS



Mobile pedestals compatible with all our furniture lines. Available in multiple colour finishes, allowing adaptation to any style. Melamine pedestal with castors with 3 drawers, or 1 drawer and file drawer depending on the model. Structure made of 19 mm thick melamine in the colour according to the model, edged with 1 mm PVC in the same colour. Drawer interiors are black lacquered metal and the fronts are 19 mm thick melamine in the colour according to the product, edged with 1 mm PVC in the same colour. They include nylon-bearing slides, metal handles and a centralised lock. Anti-tip system and braked castors included.

Dimensions (cm)



Updated product

Ref.	Description	Qty.	cm (product)
4003XXXXV24	Melamine mobile pedestal with castors and 3 drawers	1	40 x 60 x 60
4004XXXXV24	Melamine mobile pedestal with castors with drawer and file drawer	1	40 x 60 x 60

### BEECH STRUCTURE



### GREY STRUCTURE



### WHITE STRUCTURE



### OAK STRUCTURE



### ANTHRACITE STRUCTURE



# MELAMINE PEDESTALS WITHOUT CASTORS

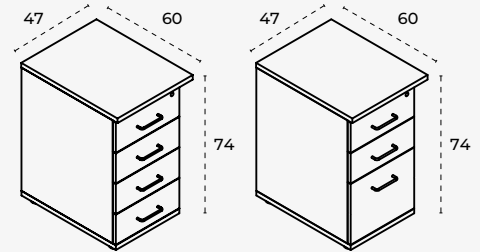
4006AW08V24



Pedestals designed to fit any space. Ideal complement to our entire range of tables thanks to their height adaptation. Available in multiple finishes, colour according to the model. Melamine pedestal without castors with 2 drawers, or 2 drawers and file drawer depending on the model. Structure made of 19 mm thick melamine in the colour according to the model, edged with 1 mm PVC in the same colour. Drawer interiors are black lacquered metal and the fronts are 19 mm thick melamine in the colour according to the product, edged with 1 mm PVC in the same colour. They include nylon-bearing slides, metal handles and a centralised lock. Anti-tip system included.

Dimensions (cm)

Updated product



Ref. 4005

Ref. 4006

Ref.	Description	Qty.	cm (product)
4005XXXXV24	Melamine pedestal without castors with 4 drawers	1	47 x 74 x 60
4006XXXXV24	Melamine pedestal without castors with 2 drawers and file drawer	1	47 x 74 x 60

### BEECH STRUCTURE



### GREY STRUCTURE



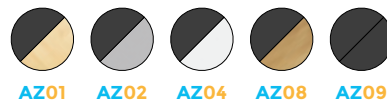
### WHITE STRUCTURE



### OAK STRUCTURE



### ANTHRACITE STRUCTURE



= Finishes on request

Dimensions = width x height x depth (cm)

# WELCOME

The WELCOME series is designed to respond to the different needs that arise in the first moments of interaction between people. Its various components provide the necessary privacy for daily work while maintaining an accessible communication area.

This family is made up of upper modules entirely manufactured in melamine that adapt to the different table series, allowing the creation of spaces with a unified aesthetic tailored to each usage need. Their different lengths allow the customization of workspaces

suitable for every situation. CALL CENTER modules for specific work or communication uses are also manufactured in melamine. Mobile reception/information modules, especially designed for events, catering, etc., feature a melamine structure and metal front panels.

Available in different sizes, colors and application options (consult for study of each application).



## MOBILE CIRCULAR MODULE



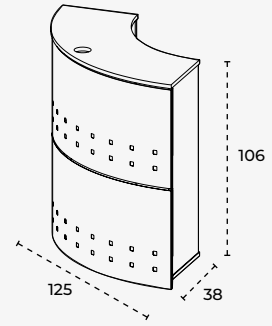
Circular reception module with smooth, modern lines. Made of melamine and steel. Its design allows for all kinds of applications such as reception at events, catering, etc. Wheels come as standard. High strength technical polymer graders are available.

Easy assembly.



AA01

Dimensions (cm)



Ref.	Description	Qty.	cm (product)
5100AA01	Mobile circular module - Metallic modesty panel / melamine structure	1	125 x 106 x 38

## CALL CENTER

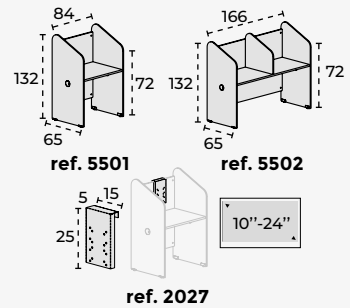


CALL CENTER modules designed for customer service, telemarketing, and more. The front and side panels provide the separation and privacy needed to perform these types of work properly. Structure made of 19 mm melamine in aluminum color with PVC edging in the same color. Desktop made of 25 mm gray melamine edged in aluminum colored PVC. Graders and cable conduit as standard. Additional accessory available for 10-24" flat screens.



AN02

Dimensions (cm)



Ref.	Description	Qty.	cm (product)
5501AN02	CALL CENTER individual - melamine	1	84 x 132 x 65
5502AN02	CALL CENTER double - melamine	1	166 x 132 x 65
2027	CALL CENTER - TV accessory	1	15 x 25 x 5

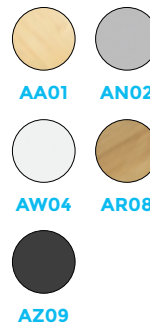
## UPPER MODULE FOR DESKS



5016AA01



The ideal solution to convert any desk into a reception counter. Upper reception module made of 19-25 mm thick melamine. Fixed to the main desk using 2 or 3 epoxy-painted metal anchors. Ideal for all types of installations (large or small / linear or shaped).



AA01

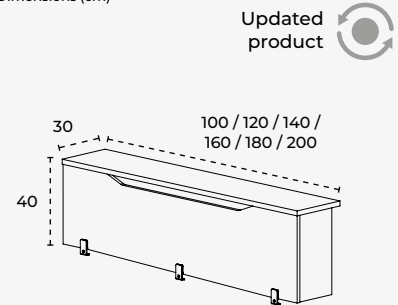
AN02

AW04

AR08

AZ09

Dimensions (cm)



Updated product

Ref.	Description	Qty.	cm (product)
5010XXXX	WELCOME reception module, melamine structure and top	1	100 x 40 x 30
5012XXXX	WELCOME reception module, melamine structure and top	1	120 x 40 x 30
5014XXXX	WELCOME reception module, melamine structure and top	1	140 x 40 x 30
5016XXXX	WELCOME reception module, melamine structure and top	1	160 x 40 x 30
5018XXXX	WELCOME reception module, melamine structure and top	1	180 x 40 x 30
5020XXXX	WELCOME reception module, melamine structure and top	1	200 x 40 x 30

# MEETING

The tables in the MEETING series are defined by maximum practicality, enhancing and boosting communication between people. Their solid steel or melamine structure, depending on the model, gives the table set total robustness for all types of environments.

Structure made of 5 cm and 12 cm diameter steel tube with metal base, or 25 mm thick melamine legs with 2 cm height adjustment depending on the model. Tabletops

made of 25 mm thick melamine with 1 mm PVC edging. Various melamine finishes combined according to the model. Series available in compact and large formats according to the required use and adaptable to each space. Consult Rocada for available options and the possibility of custom-made special products.



## CIRCULAR MEETING TABLE WITH STEEL STRUCTURE



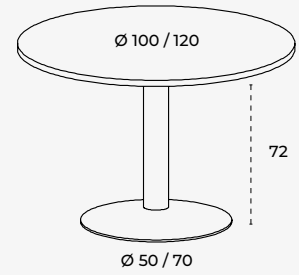
3006ATW08



Circular MEETING table with steel structure, designed to welcome clients, suppliers and group work, covering all meeting needs while improving the functionality of your office and workspace. Composed of a column base made of epoxy-painted metal sheet, colour according to model, and 5 different top finishes: beech, grey, white, glass or oak.

Dimensions (cm)

Updated product



Ref.	Description	Qty.	cm (product)
3005XXXX	MEETING table, painted structure / melamine top	1	100 x 72 x 100
3006XXXX	MEETING table, painted structure / melamine top	1	120 x 72 x 120

### GREY STRUCTURE



### WHITE STRUCTURE



### ANTHRACITE STRUCTURE



## MEETING TABLE WITH MELAMINE STRUCTURE

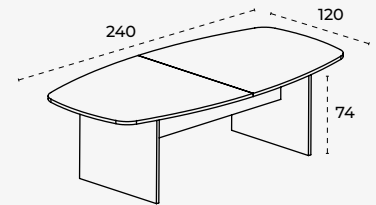
3002AW08V26



MEETING table with a generously sized melamine structure, ideal for meeting with several people around a single table. Composed of legs made of 25 mm thick melamine, colour according to model, with 1 mm edge banding in the same colour; a modesty panel in 19 mm thick melamine, colour according to model, with 1 mm edge banding in the same colour; and a 25 mm thick melamine tabletop, colour according to model, with 1 mm edge banding in the same colour. Melamine structure with independent levelling system up to 2 cm.

Dimensions (cm)

Updated product



Ref. 3002

Ref.	Description	Qty.	cm (product)
3002XXXXV26	Rectangular MEETING table, melamine frame and top with straight edges	1	240 x 74 x 120

### BEECH STRUCTURE



### GREY STRUCTURE



### WHITE STRUCTURE



### OAK STRUCTURE



### ANTHRACITE STRUCTURE



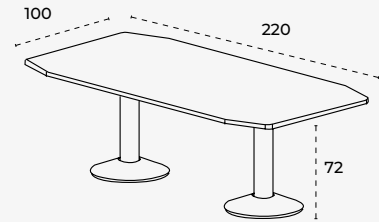
## MEETING TABLE WITH STEEL STRUCTURE



Generously sized MEETING table with steel structure, ideal for gathering several participants around a single table. Composed of cylindrical column-format legs made of epoxy-painted metal sheet, colour according to model. 25 mm thick melamine top, colour according to model, with 1 mm edge banding in the same colour. Available in beech, grey, white or oak, depending on the model.

Dimensions (cm)

Updated product



SET

Ref.	Description	Qty.	cm (product)
3003XXXX	Rectangular MEETING table, steel frame and melamine top	1	220 x 72 x 100

### GREY STRUCTURE



### WHITE STRUCTURE



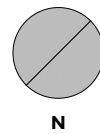
### ANTHRACITE STRUCTURE



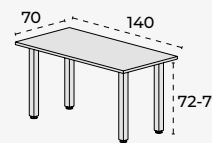
## MODULAR TABLES



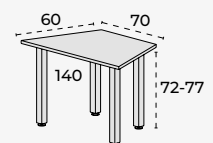
Different configurations available combining rectangular, square and/or trapezoidal tables, facilitating collaboration and visual contact between participants. Optional metal modesty panel available for rectangular tables. Ideal for your meetings, regardless of the type of meeting to be held. With 25 mm melamine top and steel structure painted in grey epoxy (RAL 9006).



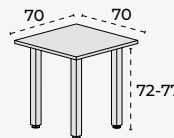
Dimensions (cm)



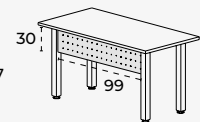
Ref. 7502N



Ref. 7520N



Ref. 7510N



Ref. 7507N

Ref.	Description	Qty.	cm (product)
7502N	Modular MEETING table, rectangular shape	1	140 x 72 x 70
7510N	Modular MEETING table, square shape	1	70 x 72 x 70
7520N	Modular MEETING table, trapezoidal shape	1	140 x 72 x 60
7507N	Metal modesty panel for rectangular modular MEETING tables	1	99 x 30 x 3

● Ref 7502N and 7520N: top length 138.8 cm.

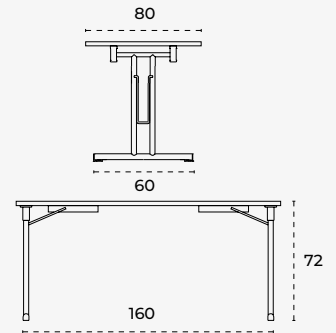
## FOLDING TABLE



The RD-7503N folding table is highly versatile, allowing the creation of multiple setups such as meeting rooms, conference rooms or training spaces. Its folding system enables tables to be stacked on top of each other, taking up minimal space when not in use. Composed of a 25 mm melamine top with 1 mm edge banding in the same colour, and a chrome steel structure painted in epoxy.



Dimensions (cm)



Ref.	Description	Qty.	cm (product)
7503N	Folding table, chrome steel frame / melamine top	1	160 x 72 x 80



# ELVA

The ELVA series tables are defined by maximum mobility, designed to adapt to all types of work environments. Solid steel structure composed of inverted Y-shaped legs together with a metal crossbar that gives the overall table a functional and adaptable aesthetic while providing an optimal storage system. The central crossbar is made of square-section steel tubing fixed to the side legs by means of a solid joining system. Side legs made of steel sheet with lower castors featuring a braking system.

Structure designed for easy mobility. All finished in epoxy paint in the color according to the model. Tabletops made of 25 mm thick melamine in the color according to the model and edged with 1 mm PVC in the same color. The Rotation series features different accessories such as folding modesty panels or linking systems between tables to create large work surfaces that can be easily adapted at any time. Consult Rocada for the available options, as well as the possibility of special custom-made products.



## ELVA10 - FOLDING TABLES

NEW

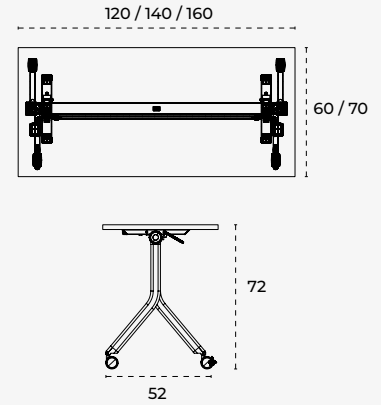


ELVA tables allow the tabletop to be folded to facilitate more comfortable and functional stacking thanks to a simple and easy-to-use system, ensuring the most suitable use at all times. Their linking system between tables makes it possible to create layouts according to every need. Perfect mobility and flexibility combine to achieve total adaptability.



W02

Dimensions (cm)



Ref.	Description	Qty.	cm (surface)	cm (product)
ELVA10-1260V1W02	Folding table, metal frame / melamine top	1	120 x 60	120 x 72 x 60
ELVA10-1470V1W02	Folding table, metal frame / melamine top	1	140 x 70	140 x 72 x 70
ELVA10-1670V1W02	Folding table, metal frame / melamine top	1	160 x 70	160 x 72 x 70

## ELVA - METAL MODESTY PANEL FOR FOLDING TABLES

NEW

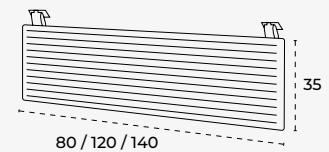


Folding metal modesty panels made of white steel sheet.



W

Dimensions (cm)



Ref.	Description	Qty.	cm (product)
ELVA-0835VW	ELVA metal modesty panel for 120 cm table	1	80 x 35 x 1
ELVA-1235VW	ELVA metal modesty panel for 140 cm table	1	120 x 35 x 1
ELVA-1435VW	ELVA metal modesty panel for 160 cm table	1	140 x 35 x 1

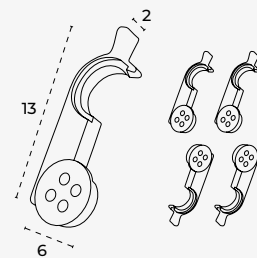
## ELVA - LINKING SYSTEM FOR FOLDING TABLES

NEW



Practical and easy linking system to simultaneously connect ELVA tables.

Dimensions (cm)



Ref.	Description	Qty.	cm (product)
ELVA-5555VD	Linking system for ELVA tables	2	13 x 2 x 6

# ROLL

The Rotation series includes different accessories such as folding modesty panels or table linking systems to create large work surfaces easily adaptable at any time. Consult Rocada for available options and the possibility of custom-made products. Range of roller blinds that allow customization of different office environments according to work needs. Their wide range of sizes,

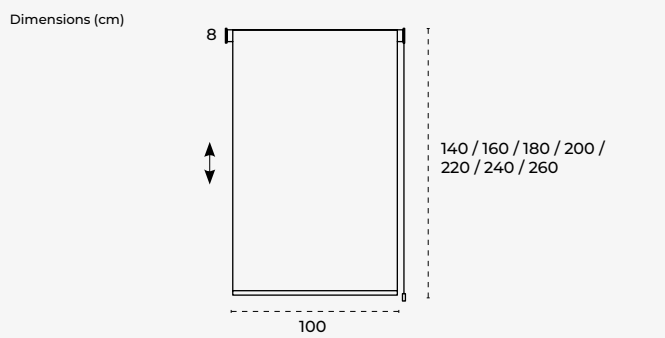
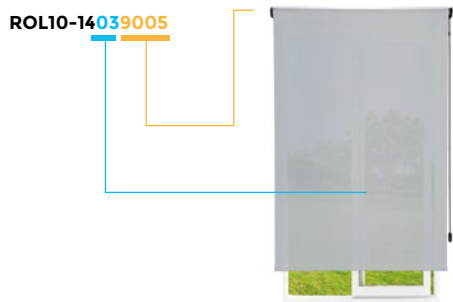
fabrics and mechanism finishes allow total adaptation to any space, enhancing the surrounding products. High-quality translucent roller blinds with 43 mm aluminum core, reversible mechanism and chain that can be installed on the right or left side. Fabric made of 30% polyester and 70% PVC. Consult Rocada for available options and the possibility of custom-made products.

SET



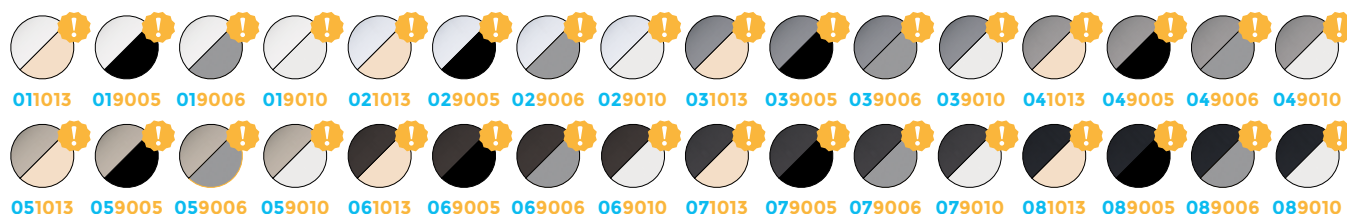
**IMPORTANT NOTE:** By default, the chain is installed on the right. If you prefer the chain on the left, it must be specified on the order sheet.

## 100CM WIDE ROLLER-BLINDS

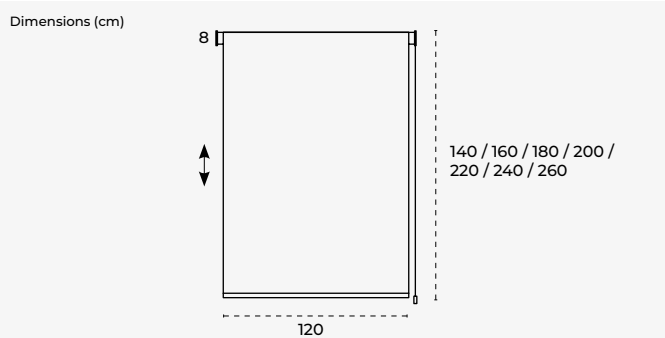
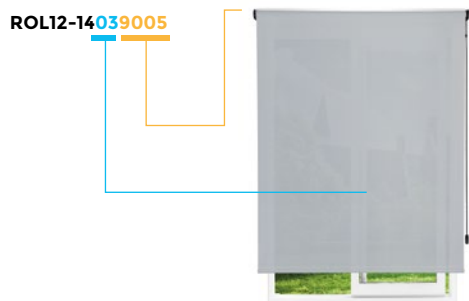


Ref.	Description	Qty.	cm (product)
ROL10-14XXXXXX	100cm wide roller-blinds	1	100 x 140 x 8
ROL10-16XXXXXX	100cm wide roller-blinds	1	100 x 160 x 8
ROL10-18XXXXXX	100cm wide roller-blinds	1	100 x 180 x 8
ROL10-20XXXXXX	100cm wide roller-blinds	1	100 x 200 x 8
ROL10-22XXXXXX	100cm wide roller-blinds	1	100 x 220 x 8
ROL10-24XXXXXX	100cm wide roller-blinds	1	100 x 240 x 8
ROL10-26XXXXXX	100cm wide roller-blinds	1	100 x 260 x 8

### FABRIC / STRUCTURE FINISHES:

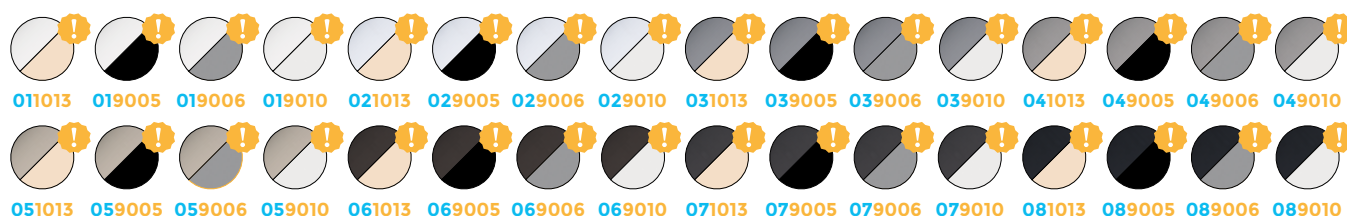


## 120CM WIDE ROLLER-BLINDS



Ref.	Description	Qty.	cm (product)
ROL12-14XXXXXX	120cm wide roller-blinds	1	120 x 140 x 8
ROL12-16XXXXXX	120cm wide roller-blinds	1	120 x 160 x 8
ROL12-18XXXXXX	120cm wide roller-blinds	1	120 x 180 x 8
ROL12-20XXXXXX	120cm wide roller-blinds	1	120 x 200 x 8
ROL12-22XXXXXX	120cm wide roller-blinds	1	120 x 220 x 8
ROL12-24XXXXXX	120cm wide roller-blinds	1	120 x 240 x 8
ROL12-26XXXXXX	120cm wide roller-blinds	1	120 x 260 x 8

### FABRIC / STRUCTURE FINISHES:



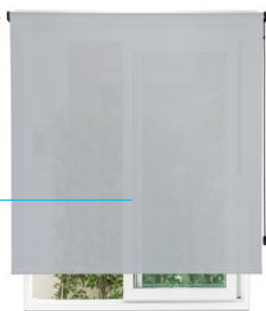
! = Finishes on request

Dimensions = width x height x depth (cm)

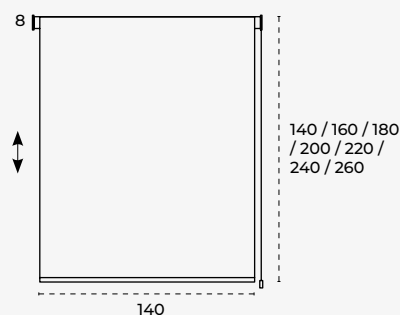
## 140CM WIDE ROLLER-BLINDS



ROL14-14039005

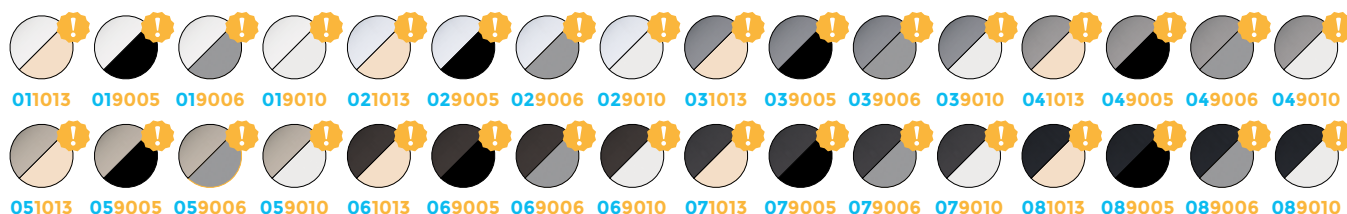


Dimensions (cm)



Ref.	Description	Qty.	cm (product)
ROL14-14XXXXXX	140cm wide roller-blinds	1	140 x 140 x 8
ROL14-16XXXXXX	140cm wide roller-blinds	1	140 x 160 x 8
ROL14-18XXXXXX	140cm wide roller-blinds	1	140 x 180 x 8
ROL14-20XXXXXX	140cm wide roller-blinds	1	140 x 200 x 8
ROL14-22XXXXXX	140cm wide roller-blinds	1	140 x 220 x 8
ROL14-24XXXXXX	140cm wide roller-blinds	1	140 x 240 x 8
ROL14-26XXXXXX	140cm wide roller-blinds	1	140 x 260 x 8

### FABRIC / STRUCTURE FINISHES:

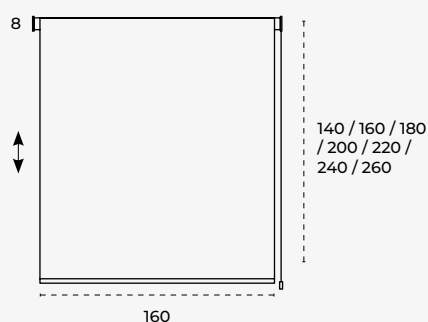


## 160CM WIDE ROLLER-BLINDS

RLL16-14039005

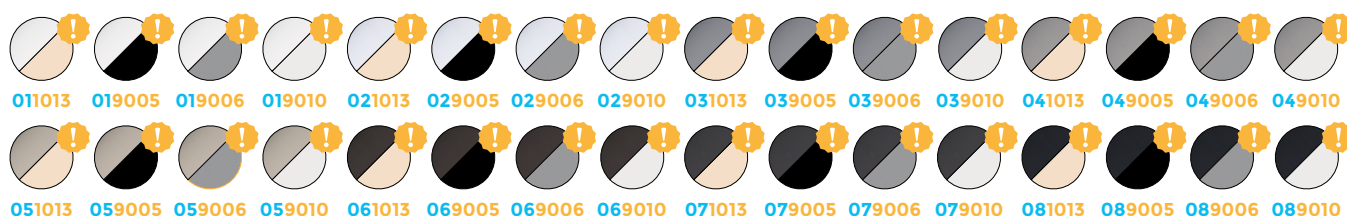


Dimensions (cm)

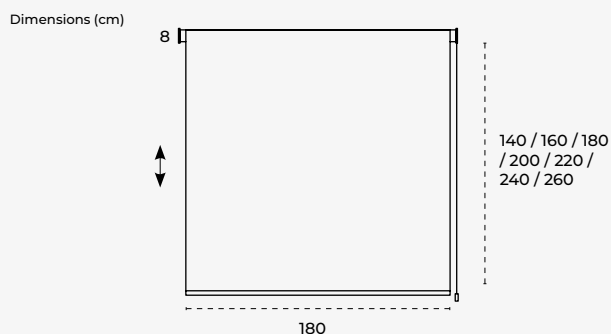


Ref.	Description	Qty.	cm (product)
ROL16-14XXXXXX	160cm wide roller-blinds	1	160 x 140 x 8
ROL16-16XXXXXX	160cm wide roller-blinds	1	160 x 160 x 8
ROL16-18XXXXXX	160cm wide roller-blinds	1	160 x 180 x 8
ROL16-20XXXXXX	160cm wide roller-blinds	1	160 x 200 x 8
ROL16-22XXXXXX	160cm wide roller-blinds	1	160 x 220 x 8
ROL16-24XXXXXX	160cm wide roller-blinds	1	160 x 240 x 8
ROL16-26XXXXXX	160cm wide roller-blinds	1	160 x 260 x 8

### FABRIC / STRUCTURE FINISHES:

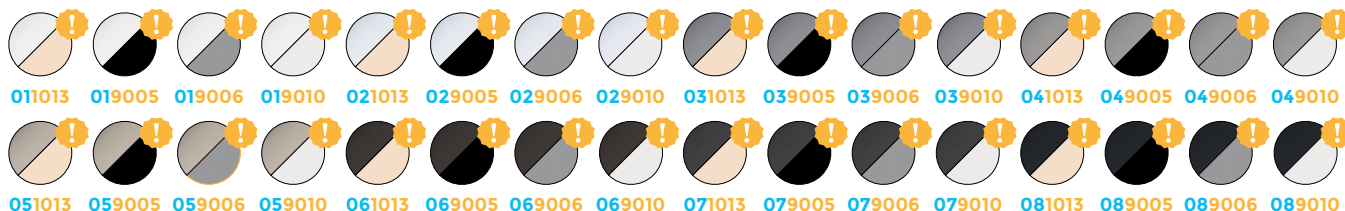


## 180CM WIDE ROLLER-BLINDS

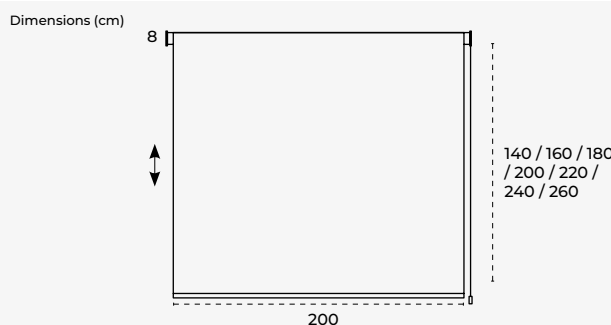


Ref.	Description	Qty.	cm (product)
ROL18-14XXXXXX	180cm wide roller-blinds	1	180 x 140 x 8
ROL18-16XXXXXX	180cm wide roller-blinds	1	180 x 160 x 8
ROL18-18XXXXXX	180cm wide roller-blinds	1	180 x 180 x 8
ROL18-20XXXXXX	180cm wide roller-blinds	1	180 x 200 x 8
ROL18-22XXXXXX	180cm wide roller-blinds	1	180 x 220 x 8
ROL18-24XXXXXX	180cm wide roller-blinds	1	180 x 240 x 8
ROL18-26XXXXXX	180cm wide roller-blinds	1	180 x 260 x 8

### FABRIC / STRUCTURE FINISHES:

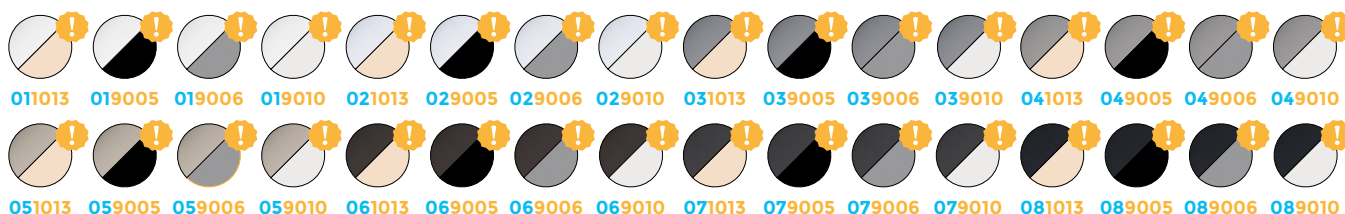


## 200CM WIDE ROLLER-BLINDS



Ref.	Description	Qty.	cm (product)
ROL20-14XXXXXX	200cm wide roller-blinds	1	200 x 140 x 8
ROL20-16XXXXXX	200cm wide roller-blinds	1	200 x 160 x 8
ROL20-18XXXXXX	200cm wide roller-blinds	1	200 x 180 x 8
ROL20-20XXXXXX	200cm wide roller-blinds	1	200 x 200 x 8
ROL20-22XXXXXX	200cm wide roller-blinds	1	200 x 220 x 8
ROL20-24XXXXXX	200cm wide roller-blinds	1	200 x 240 x 8
ROL20-26XXXXXX	200cm wide roller-blinds	1	200 x 260 x 8

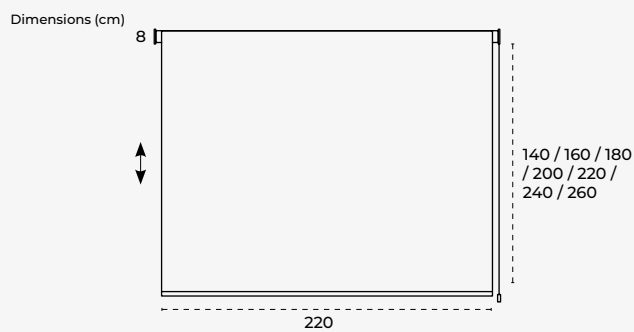
### FABRIC / STRUCTURE FINISHES:



! = Finishes on request

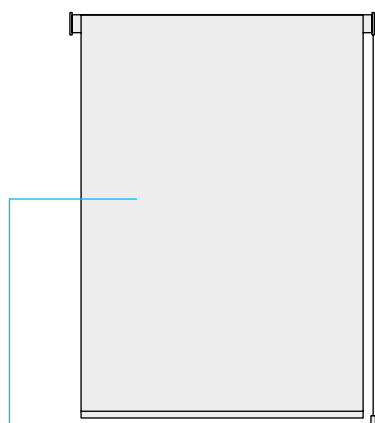
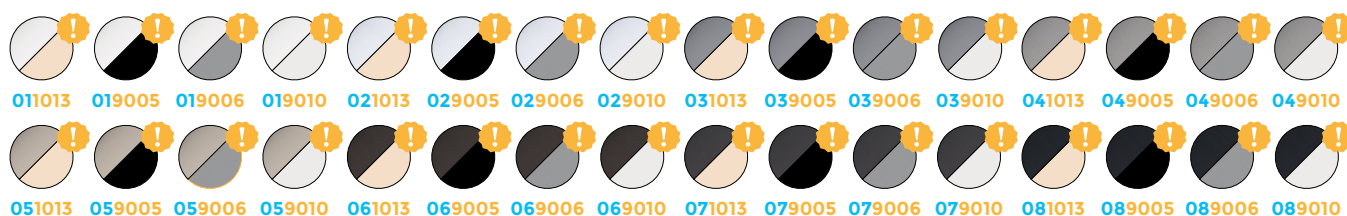
Dimensions = width x height x depth (cm)

## 220CM WIDE ROLLER-BLINDS



Ref.	Description	Qty.	cm (product)
ROL22-14XXXXXX	220cm wide roller-blinds	1	220 x 140 x 8
ROL22-16XXXXXX	220cm wide roller-blinds	1	220 x 160 x 8
ROL22-18XXXXXX	220cm wide roller-blinds	1	220 x 180 x 8
ROL22-20XXXXXX	220cm wide roller-blinds	1	220 x 200 x 8
ROL22-22XXXXXX	220cm wide roller-blinds	1	220 x 220 x 8
ROL22-24XXXXXX	220cm wide roller-blinds	1	220 x 240 x 8
ROL22-26XXXXXX	220cm wide roller-blinds	1	220 x 260 x 8

### FABRIC / STRUCTURE FINISHES:



ROL22-14069005

#### Fabric characteristics:

- 30% polyester
- 70% PVC
- Fire reaction according to UNE-EN 13773 (Class 1)
- Openness factor: 5%
- Cleaning: With water and soap





SET

# LOCKLINE

## **Organization for employees and athletes.**

Security, peace of mind and preservation: three essential concepts in the design of our range of metal lockers. They are designed so you can focus your energy on what truly matters and store what defines you without doubts or concerns. The Lockline series offers multiple combinations and accessories that allow storage of all types of personal, professional or leisure items, providing complete peace of mind in everyday life. It is a series created to offer impeccable functionality both during use and at rest, always guaranteeing maximum safety and protection. All doors include a standard lock as standard. In addition, 1- and 2-door modules include a shelf with coat rail system in each compartment, facilitating more practical and efficient organization.



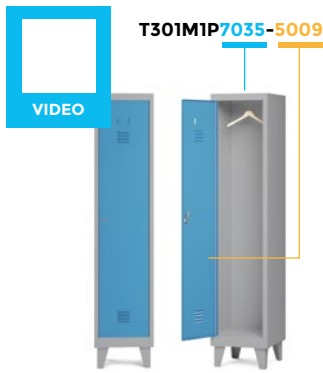
LOCKLINE

# LOCKLINE



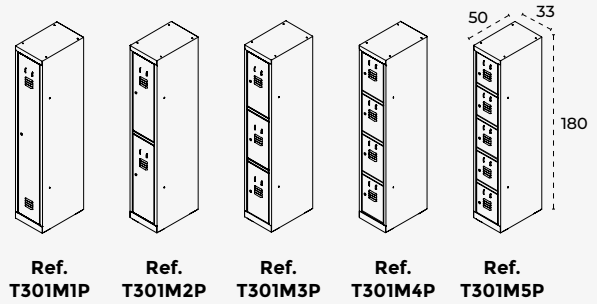
LOCKLINE

## METAL LOCKERS T30 INDIVIDUAL



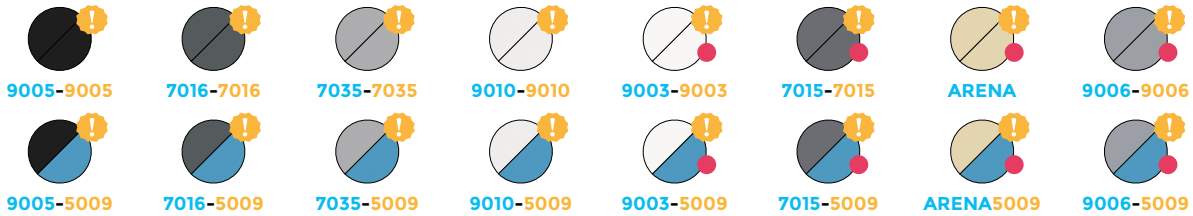
30 cm wide individual lockers, designed for use in indoor environments such as changing rooms, health centers, public administration, educational, industrial, or commercial environments.

Dimensions (cm)



Ref.	Description	Qty.	cm (product)
<b>T301M1PXXXX-XXXX</b>	Metal lockers T30 individual - 1 module / 1 door	1	33 x 180 x 50
<b>T301M2PXXXX-XXXX</b>	Metal lockers T30 individual - 1 module / 2 doors	1	33 x 180 x 50
<b>T301M3PXXXX-XXXX</b>	Metal lockers T30 individual - 1 module / 3 doors	1	33 x 180 x 50
<b>T301M4PXXXX-XXXX</b>	Metal lockers T30 individual - 1 module / 4 doors	1	33 x 180 x 50
<b>T301M5PXXXX-XXXX</b>	Metal lockers T30 individual - 1 module / 5 doors	1	33 x 180 x 50

● IMPORTANT NOTE: Legs not included / Lockers with 1 and 2 doors include a shelf with hanging rail in each compartment.



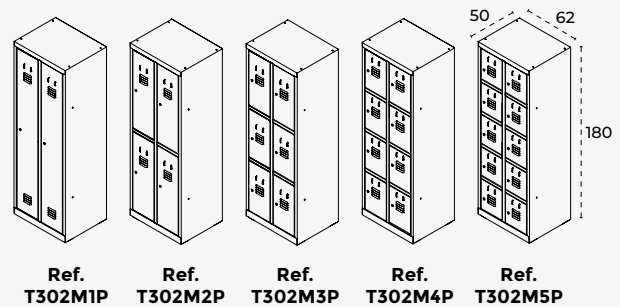
● +10% price increase for finishes in structure RAL 9003, RAL 7015, ARENA (RAL 1002) and RAL 9006.

## METAL LOCKERS T30 OF 2 MODULS



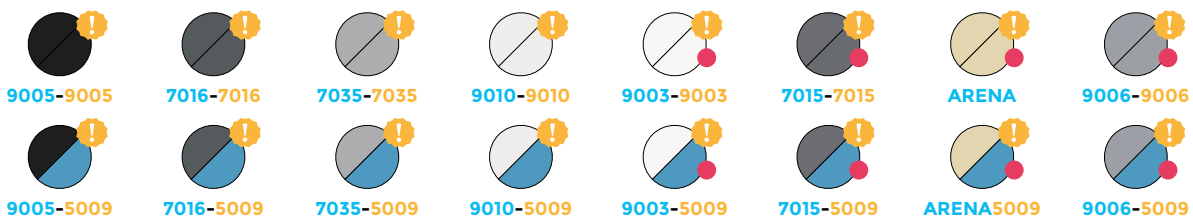
Lockers with 2 modules of 30 cm wide, designed for use in indoor environments such as locker rooms, health centers, public administration, educational, industrial, or commercial environments.

Dimensions (cm)



Ref.	Description	Qty.	cm (product)
<b>T302M1PXXXX-XXXX</b>	Metal lockers T30 individual - 2 modules / 1 door	1	62 x 180 x 50
<b>T302M2PXXXX-XXXX</b>	Metal lockers T30 individual - 2 modules / 2 doors	1	62 x 180 x 50
<b>T302M3PXXXX-XXXX</b>	Metal lockers T30 individual - 2 modules / 3 doors	1	62 x 180 x 50
<b>T302M4PXXXX-XXXX</b>	Metal lockers T30 individual - 2 modules / 4 doors	1	62 x 180 x 50
<b>T302M5PXXXX-XXXX</b>	Metal lockers T30 individual - 2 modules / 5 doors	1	62 x 180 x 50

● IMPORTANT NOTE: Legs not included / Lockers with 1 and 2 doors include a shelf with hanging rail in each compartment.



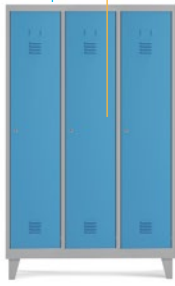
● +10% price increase for finishes in structure RAL 9003, RAL 7015, ARENA (RAL 1002) and RAL 9006.

! = Finishes on request

Dimensions = width x height x depth (cm)

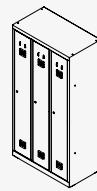
## METAL LOCKERS T30 OF 3 MODULS

T303M1P7035-5009

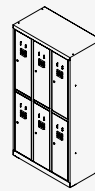


Lockers with 3 modules of 30 cm wide, designed for use in indoor environments such as locker rooms, health centers, public administration, educational, industrial, or commercial environments.

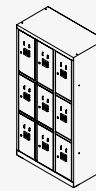
Dimensions (cm)



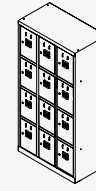
Ref. T303M1P



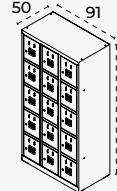
Ref. T303M2P



Ref. T303M3P



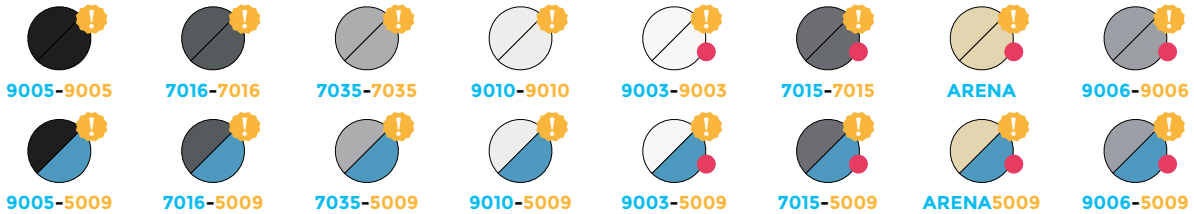
Ref. T303M4P



Ref. T303M5P

Ref.	Description	Qty.	cm (product)
T303M1PXXXX-XXXX	Metal lockers T30 individual - 3 modules / 1 door	1	91 x 180 x 50
T303M2PXXXX-XXXX	Metal lockers T30 individual - 3 modules / 2 doors	1	91 x 180 x 50
T303M3PXXXX-XXXX	Metal lockers T30 individual - 3 modules / 3 doors	1	91 x 180 x 50
T303M4PXXXX-XXXX	Metal lockers T30 individual - 3 modules / 4 doors	1	91 x 180 x 50
T303M5PXXXX-XXXX	Metal lockers T30 individual - 3 modules / 5 doors	1	91 x 180 x 50

● IMPORTANT NOTE: Legs not included / Lockers with 1 and 2 doors include a shelf with hanging rail in each compartment.



● +10% price increase for finishes in structure RAL 9003, RAL 7015, ARENA (RAL 1002) and RAL 9006.

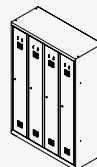
## METAL LOCKERS T30 OF 4 MODULS

T304M1P7035-5009

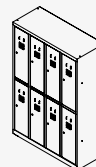


Lockers with 4 modules of 30 cm wide, designed for use in indoor environments such as locker rooms, health centers, public administration, educational, industrial, or commercial environments.

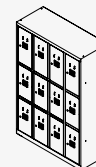
Dimensions (cm)



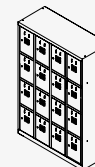
Ref. T304M1P



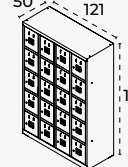
Ref. T304M2P



Ref. T304M3P



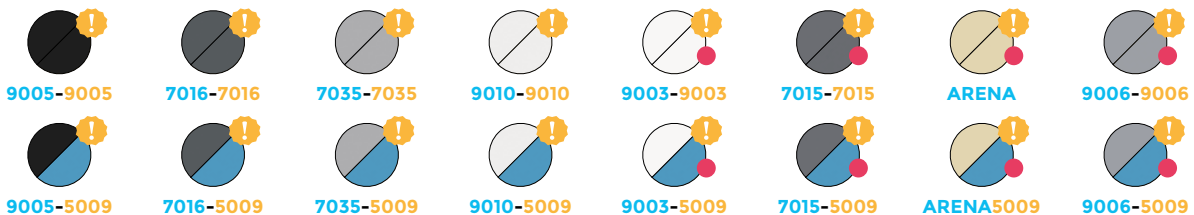
Ref. T304M4P



Ref. T304M5P

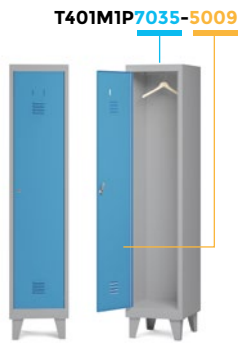
Ref.	Description	Qty.	cm (product)
T304M1PXXXX-XXXX	Metal lockers T30 individual - 4 modules / 1 door	1	121 x 180 x 50
T304M2PXXXX-XXXX	Metal lockers T30 individual - 4 modules / 2 doors	1	121 x 180 x 50
T304M3PXXXX-XXXX	Metal lockers T30 individual - 4 modules / 3 doors	1	121 x 180 x 50
T304M4PXXXX-XXXX	Metal lockers T30 individual - 4 modules / 4 doors	1	121 x 180 x 50
T304M5PXXXX-XXXX	Metal lockers T30 individual - 4 modules / 5 doors	1	121 x 180 x 50

● IMPORTANT NOTE: Legs not included / Lockers with 1 and 2 doors include a shelf with hanging rail in each compartment.



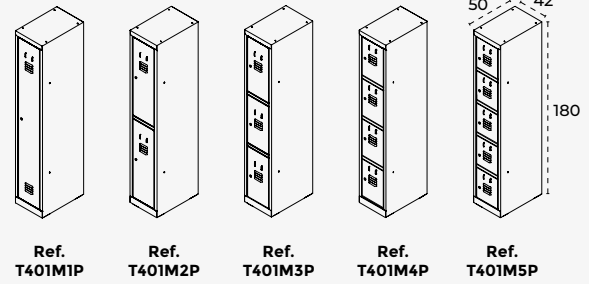
● +10% price increase for finishes in structure RAL 9003, RAL 7015, ARENA (RAL 1002) and RAL 9006.

## METAL LOCKERS T40 INDIVIDUAL



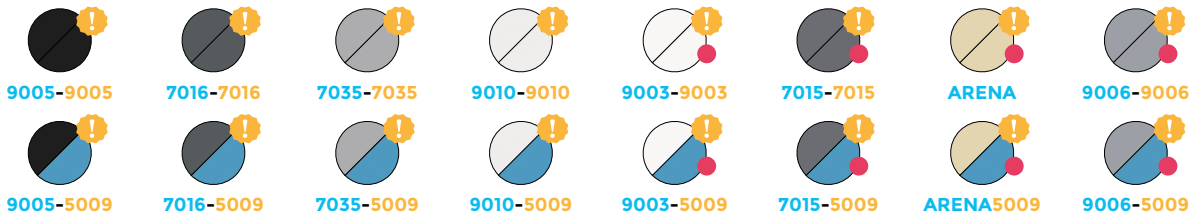
40 cm wide individual lockers, designed for use in indoor environments such as changing rooms, health centers, public administration, educational, industrial, or commercial environments.

Dimensions (cm)



Ref.	Description	Qty.	cm (product)
T401M1PXXXX-XXXX	Metal lockers T40 individual - 1 module / 1 door	1	42 x 180 x 50
T401M2PXXXX-XXXX	Metal lockers T40 individual - 1 module / 2 doors	1	42 x 180 x 50
T401M3PXXXX-XXXX	Metal lockers T40 individual - 1 module / 3 doors	1	42 x 180 x 50
T401M4PXXXX-XXXX	Metal lockers T40 individual - 1 module / 4 doors	1	42 x 180 x 50
T401M5PXXXX-XXXX	Metal lockers T40 individual - 1 module / 5 doors	1	42 x 180 x 50

● IMPORTANT NOTE: Legs not included / Lockers with 1 and 2 doors include a shelf with hanging rail in each compartment.



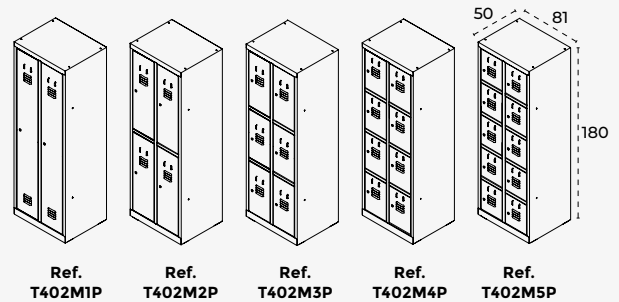
● +10% price increase for finishes in structure RAL 9003, RAL 7015, ARENA (RAL 1002) and RAL 9006.

## METAL LOCKERS T40 OF 2 MODULS



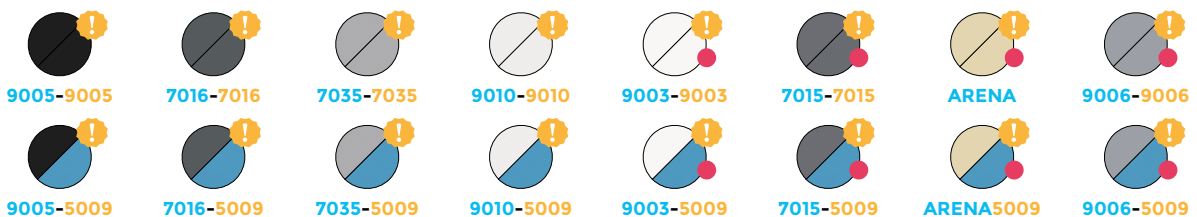
Lockers with 2 modules of 40 cm wide, designed for use in indoor environments such as locker rooms, health centers, public administration, educational, industrial, or commercial environments.

Dimensions (cm)



Ref.	Description	Qty.	cm (product)
T402M1PXXXX-XXXX	Metal lockers T40 individual - 2 module / 1 door	1	81 x 180 x 50
T402M2PXXXX-XXXX	Metal lockers T40 individual - 2 module / 2 doors	1	81 x 180 x 50
T402M3PXXXX-XXXX	Metal lockers T40 individual - 2 module / 3 doors	1	81 x 180 x 50
T402M4PXXXX-XXXX	Metal lockers T40 individual - 2 module / 4 doors	1	81 x 180 x 50
T402M5PXXXX-XXXX	Metal lockers T40 individual - 2 module / 5 doors	1	81 x 180 x 50

● IMPORTANT NOTE: Legs not included / Lockers with 1 and 2 doors include a shelf with hanging rail in each compartment.



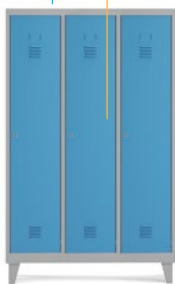
● +10% price increase for finishes in structure RAL 9003, RAL 7015, ARENA (RAL 1002) and RAL 9006.

! = Finishes on request

Dimensions = width x height x depth (cm)

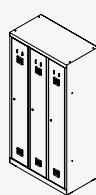
## METAL LOCKERS T40 OF 3 MODULS

T403M1P7035-5009

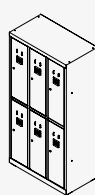


Lockers with 3 modules of 40 cm wide, designed for use in indoor environments such as locker rooms, health centers, public administration, educational, industrial, or commercial environments.

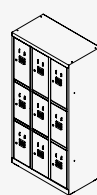
Dimensions (cm)



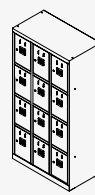
Ref. T403M1P



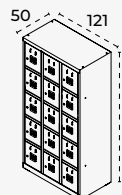
Ref. T403M2P



Ref. T403M3P



Ref. T403M4P



Ref. T403M5P

Ref.	Description	Qty.	cm (product)
T403M1PXXXX-XXXX	Metal lockers T40 individual - 3 module / 1 door	1	121 x 180 x 50
T403M2PXXXX-XXXX	Metal lockers T40 individual - 3 module / 2 doors	1	121 x 180 x 50
T403M3PXXXX-XXXX	Metal lockers T40 individual - 3 module / 3 doors	1	121 x 180 x 50
T403M4PXXXX-XXXX	Metal lockers T40 individual - 3 module / 4 doors	1	121 x 180 x 50
T403M5PXXXX-XXXX	Metal lockers T40 individual - 3 module / 5 doors	1	121 x 180 x 50

● IMPORTANT NOTE: Legs not included / Lockers with 1 and 2 doors include a shelf with hanging rail in each compartment.



9005-9005



7016-7016



7035-7035



9010-9010



9003-9003



7015-7015



ARENA



9006-9006



9005-5009



7016-5009



7035-5009



9010-5009



9003-5009



7015-5009



ARENA5009



9006-5009

● +10% price increase for finishes in structure RAL 9003, RAL 7015, ARENA (RAL 1002) and RAL 9006.

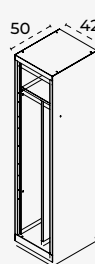
## METAL LOCKERS T40 WITH INNER DIVIDER

T401M1PSE7035-BL

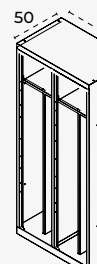


40 cm wide lockers with interior separation, designed for use in indoor environments such as locker rooms, health centers, public administration, educational, industrial, or commercial environments.

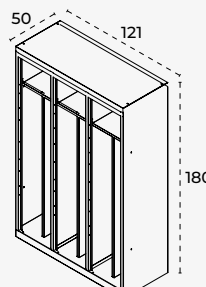
Dimensions (cm)



Ref. T401M1PSE



Ref. T402M1PSE



Ref. T403M1PSE

Ref.	Description	Qty.	cm (product)
T401M1PSEXXXX-XX	Metal lockers T40 with inner divider - 1 module	1	42 x 180 x 50
T402M1PSEXXXX-XX	Metal lockers T40 with inner divider - 2 modules	1	81 x 180 x 50
T403M1PSEXXXX-XX	Metal lockers T40 with inner divider - 3 modules	1	121 x 180 x 50

● IMPORTANT NOTE: Legs not included.



9005-9005



7016-7016



7035-7035



9010-9010



9003-9003



7015-7015



ARENA



9006-9006



9005-5009



7016-5009



7035-5009



9010-5009



9003-5009



7015-5009



ARENA5009



9006-5009

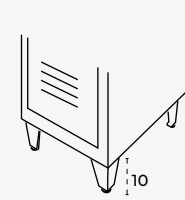
● +10% price increase for finishes in structure RAL 9003, RAL 7015, ARENA (RAL 1002) and RAL 9006.

## LEVELLERS TO METAL LOCKERS

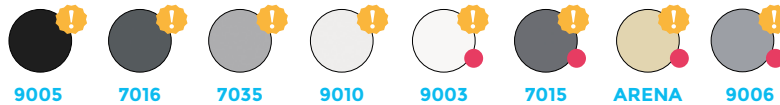


Metal legs with levelers for T30 and T40 metal lockers. Fixing system by welding or bolting. The lockers are intended for use in indoor environments such as changing rooms, healthcare facilities, public administration, educational, industrial, or commercial environments. 2 models to choose from:  
 - Welded (Ref: TFT-01)  
 - Bolted (Ref: TFT-02)

Dimensions (cm)



Ref.	Description	Qty.	cm (product)
TFT-01-XXXX	4 legs welded with levelers for metal lockers	4	8 x 10 x 8
TFT-02-XXXX	4 legs screwed with levelers for metal lockers	4	8 x 10 x 8



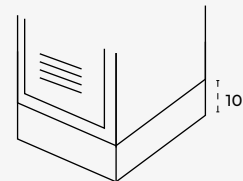
+10% price increase for finishes in structure RAL 9003, RAL 7015, ARENA (RAL 1002) and RAL 9006.

## SKIRTING WITH LEVELLERS TO METAL LOCKERS

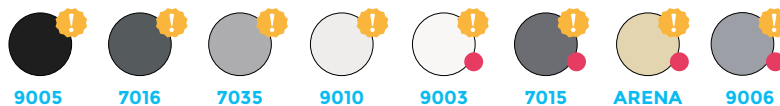


Metal plinths with levelers for T30 and T40 metal lockers. The lockers are intended for use in indoor environments such as changing rooms, healthcare facilities, public administration, educational, industrial, or commercial environments.

Dimensions (cm)

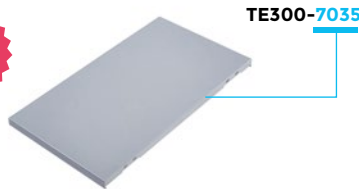


Ref.	Description	Qty.	cm (product)
TZ31M-XXXX	Skirting with levelers to metal lockers - 30cm / 1 module	1	33 x 10 x 50
TZ32M-XXXX	Skirting with levelers to metal lockers - 30cm / 2 modules	1	62 x 10 x 50
TZ33M-XXXX	Skirting with levelers to metal lockers - 30cm / 3 modules	1	91 x 10 x 50
TZ34M-XXXX	Skirting with levelers to metal lockers - 30cm / 4 modules	1	121 x 10 x 50
TZ41M-XXXX	Skirting with levelers to metal lockers - 40cm / 1 modules	1	43 x 10 x 50
TZ42M-XXXX	Skirting with levelers to metal lockers - 40cm / 2 modules	1	81 x 10 x 50
TZ43M-XXXX	Skirting with levelers to metal lockers - 40cm / 3 modules	1	121 x 10 x 50



+10% price increase for finishes in structure RAL 9003, RAL 7015, ARENA (RAL 1002) and RAL 9006.

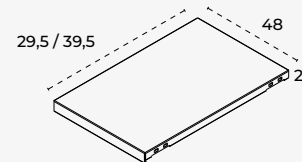
## METAL SHELVES FOR METAL LOCKERS



Metal shelves with integrated coat rail for 1, 2 and 3-module lockers. 1-door lockers allow 4 shelves.

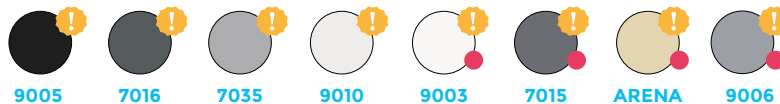
Easy press-fit assembly.

Dimensions (cm)



Ref.	Description	Qty.	cm (product)
TE300-XXXX	Shelf with coat rail for T30 locker	1	29,5 x 2 x 48
TE400-XXXX	Shelf with coat rail for T40 locker	1	39,5 x 2 x 48

2-door lockers allow 2 shelves in the upper section and 1 in the lower section. 3-door lockers only allow 2 shelves in the 1st and 2nd doors. 0 shelves in the 3rd door.



+10% price increase for finishes in structure RAL 9003, RAL 7015, ARENA (RAL 1002) and RAL 9006.

! = Finishes on request

Dimensions = width x height x depth (cm)

## LOCK SYSTEM TO METAL LOCKERS



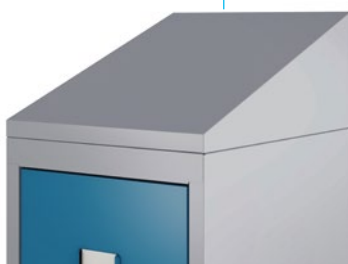
Different closing and security systems for metal lockers. 9 options to choose.



Ref.	Description	Qty.
TLCK01	Lock system to metal lockers - standard	1
TLCK02	Lock system to metal lockers - padlock	1
TLCK03	Lock system to metal lockers - change	1
TLCK04	Lock system to metal lockers - combination	1
TLCK05	Lock system to metal lockers- proximity	1
TLCK06	Lock system to metal lockers - electronic	1
TLCK07	Lock system to metal lockers - 3 gaps	1
TLCK08	Lock system to metal lockers -bluetooth	1
TLCK09	Lock system to metal lockers - master key	1

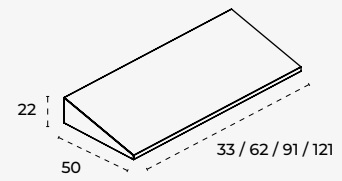
## TILTED ROOF TO METAL LOCKERS

TRF4-01-7035

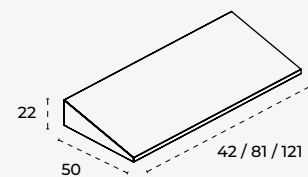


Metal roofs with a 21° slope to avoid the accumulation of dirt in the upper part of the T30 and T40 lockers. The lockers are intended for use in indoor environments such as changing rooms, healthcare facilities, public administration, educational, industrial, or commercial environments.

Dimensions (cm)

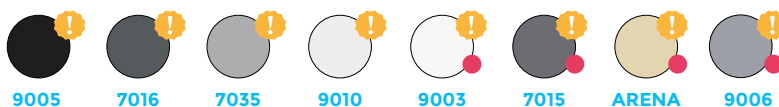


Ref. TRF3



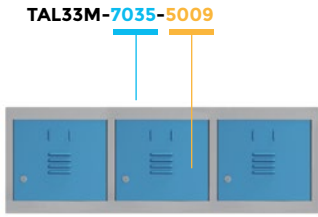
Ref. TRF4

Ref.	Description	Qty.	cm (product)
TRF3-01-XXXX	Tilted roof to metal lockers - 30cm / 1 module	1	33 x 22 x 50
TRF3-02-XXXX	Tilted roof to metal lockers - 30cm / 2 modules	1	62 x 22 x 50
TRF3-03-XXXX	Tilted roof to metal lockers - 30cm / 3 modules	1	91 x 22 x 50
TRF3-04-XXXX	Tilted roof to metal lockers - 30cm / 4 modules	1	121 x 22 x 50
TRF4-01-XXXX	Tilted roof to metal lockers - 40cm / 1 module	1	42 x 22 x 50
TRF4-02-XXXX	Tilted roof to metal lockers - 40cm / 2 modules	1	81 x 22 x 50
TRF4-03-XXXX	Tilted roof to metal lockers - 40cm / 3 modules	1	121 x 22 x 50



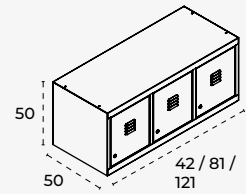
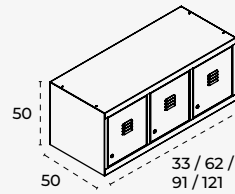
● +10% price increase for finishes in structure RAL 9003, RAL 7015, ARENA (RAL 1002) and RAL 9006.

## SHELVES TO METAL LOCKERS



Metal upper compartments for T30 and T40 metal lockers. Ideal for offering greater storage capacity. The lockers are intended for use in indoor environments such as changing rooms, healthcare facilities, public administration, educational, industrial, or commercial environments.

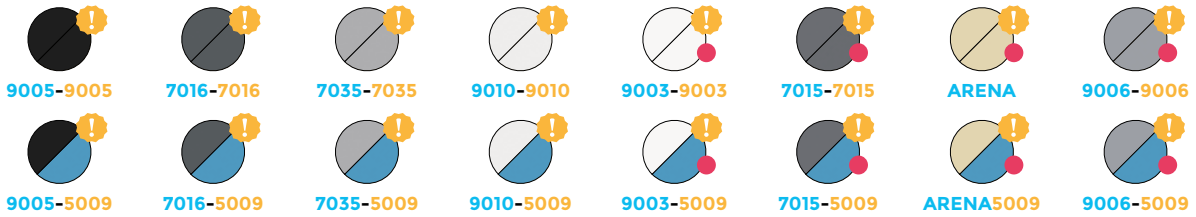
Dimensions (cm)



Ref. TAL31M / TAL32M /  
TAL33M / TAL34M /

Ref. TAL41M / TAL42M  
/ TAL43M

Ref.	Description	Qty.	cm (product)
TAL31M-XXXX-XXXX	Shelves to metal lockers - 30cm / 1 module	1	33 x 50 x 50
TAL32M-XXXX-XXXX	Shelves to metal lockers - 30cm / 2 modules	1	62 x 50 x 50
TAL33M-XXXX-XXXX	Shelves to metal lockers - 30cm / 3 modules	1	91 x 50 x 50
TAL34M-XXXX-XXXX	Shelves to metal lockers - 30cm / 4 modules	1	121 x 50 x 50
TAL41M-XXXX-XXXX	Shelves to metal lockers - 40cm / 1 module	1	43 x 50 x 50
TAL42M-XXXX-XXXX	Shelves to metal lockers - 40cm / 2 modules	1	81 x 50 x 50
TAL43M-XXXX-XXXX	Shelves to metal lockers - 40cm / 3 modules	1	121 x 50 x 50



● +10% price increase for finishes in structure RAL 9003, RAL 7015, ARENA (RAL 1002) and RAL 9006.



### HOW TO CONFIGURE THE DESIRED LOCKER:

#### Basic features:

- 1 – Define locker type
- 2 – Define lock type
- 3 – Define base type (if necessary)

#### Additional features:

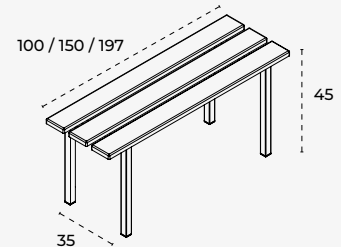
- 4 – Define roof type
- 5 – Define top compartment

## CHANGING ROOM BENCHES



Changing room benches that combine robustness and elegance, ideal for companies, sports centres and communal areas. Their welded metal structure guarantees maximum stability and resistance to intensive use. The seat, made of varnished pine wood slats, provides a warm and comfortable finish. Designed for long service life, they feature anti-corrosion protection, concealed screws and a quick and easy assembly system.

Dimensions (cm)



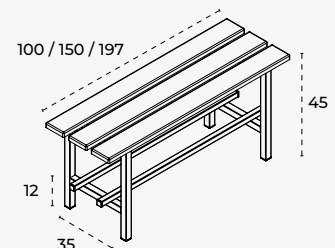
Ref.	Description	Qty.	cm (product)
BAN1000000	Changing room bench, metal frame / varnished pine slats	1	100 x 45 x 35
BAN1500000	Changing room bench, metal frame / varnished pine slats	1	150 x 45 x 35
BAN2000000	Changing room bench, metal frame / varnished pine slats	1	197 x 45 x 35

## CHANGING ROOM BENCHES WITH SHOE RACK



Benches with shoe rack that combine robustness and elegance, ideal for companies, sports centres and communal areas. Their welded metal structure incorporates a practical lower shelf for footwear, ensuring maximum stability and optimal use of space. The seat, made of varnished pine wood slats, provides warmth and comfort. Designed for intensive use, they feature anti-corrosion protection, concealed screws and a quick and easy assembly system.

Dimensions (cm)



Ref.	Description	Qty.	cm (product)
BANZ1000000	Changing room bench with shoe rack, metal frame / varnished pine slats	1	100 x 45 x 35
BANZ1500000	Changing room bench with shoe rack, metal frame / varnished pine slats	1	150 x 45 x 35
BANZ2000000	Changing room bench with shoe rack, metal frame / varnished pine slats	1	197 x 45 x 35

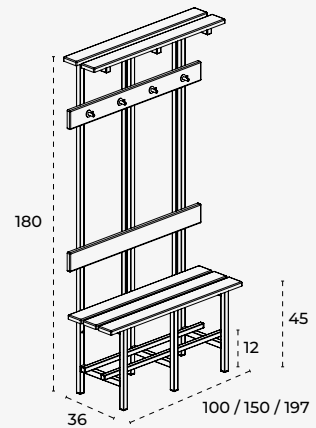
## CHANGING ROOM BENCHES WITH SHOE RACK AND COAT RAIL

NEW



Benches with shoe rack and coat rail offering a complete organisation solution for changing rooms in companies, sports centres and communal areas. Their robust welded metal structure integrates a practical lower shelf and an upper coat rail area, ensuring maximum stability and durability. The seat made of varnished pine wood slats provides warmth and user comfort. Designed to withstand intensive use, they feature anti-corrosion protection, concealed screws and a quick assembly system.

Dimensions (cm)



Ref.	Description	Qty.	cm (product)
BANZP10000	Changing room bench with shoe rack and coat rail, metal frame / varnished pine slats	1	100 x 180 x 36
BANZP15000	Changing room bench with shoe rack and coat rail, metal frame / varnished pine slats	1	150 x 180 x 36
BANZP20000	Changing room bench with shoe rack and coat rail, metal frame / varnished pine slats	1	197 x 180 x 36

The number of hooks varies according to the length of the coat rack benches (100cm - 4u / 150cm - 6u / 200cm - 8u).

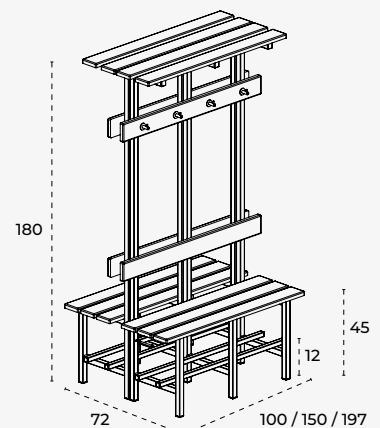
## DOUBLE CHANGING ROOM BENCHES WITH SHOE RACK AND COAT RAIL

NEW



Double benches with shoe rack and coat rail offering a complete organisation solution for changing rooms in companies, sports centres and communal areas. Their robust welded metal structure integrates a practical lower shelf and an upper coat rail area, ensuring maximum stability and durability. The seat made of varnished pine wood slats provides warmth and user comfort. Designed to withstand intensive use, they feature anti-corrosion protection, concealed screws and a quick assembly system.

Dimensions (cm)



Ref.	Description	Qty.	cm (product)
BANZPD1000	Double changing room bench with shoe rack and coat rail, metal frame / varnished pine slats	1	100 x 180 x 72
BANZPD1500	Double changing room bench with shoe rack and coat rail, metal frame / varnished pine slats	1	150 x 180 x 72
BANZPD2000	Double changing room bench with shoe rack and coat rail, metal frame / varnished pine slats	1	197 x 180 x 72

The number of hooks varies according to the length of the coat rack benches (100cm - 4u / 150cm - 6u / 200cm - 8u).

! = Finishes on request

Dimensions = width x height x depth (cm)

# BE SOFT

## **Spaces for interaction, communication and rest.**

The continuous movement of people in all their states requires continuous adaptation of public and corporate environments to respond to needs for communication, interaction, creativity and rest, promoting and evolving towards new opportunities for social growth. BE SOFT is a program created to provide solutions, ease and maximum adaptation to these current needs.



BE SOFT



## BE SOFT DOUBLE BOOTH + TABLE



The two-seat module combined with the small desk allows for achieving relaxed, pleasant spaces and areas where communication may flow free of obstacles. The melamine table top comes with an oak-colored finish. The modules are equipped with plug sockets in order that work, relaxation or idle times are free from interruptions. Upholstered with high quality finishes and a high-end design, conceived for tool-free assembly and installation

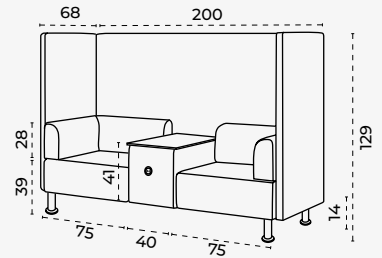
### UPHOLSTERY SF



-4-1  
Negro / Gris

Dimensions (cm)

Updated product



Ref.	Description	Qty.	cm (product)
1805V26-4-1	Be soft double booth + table (Black / grey)	1	200 x 129 x 68

## BE SOFT INDIVIDUAL BOOTH + TABLE



The one-seat module combined with the small desk allows for achieving relaxed, pleasant spaces and areas where communication may flow free of obstacles. The melamine table top comes with an oak-colored finish. The modules are equipped with plug sockets in order that work, relaxation or idle times are free from interruptions. Upholstered with high quality finishes and a high-end design, conceived for tool-free assembly and installation

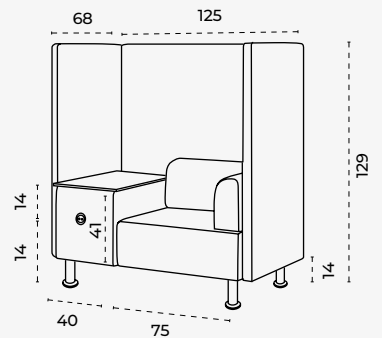
### UPHOLSTERY SF



-4-1  
Negro / Gris

Dimensions (cm)

Updated product



Ref.	Description	Qty.	cm (product)
1806V26-4-1	Be soft individual booth + table (Black / grey)	1	125 x 129 x 68

## BE SOFT ADJUSTABLE PUF



1828W-4-1

An adjustable height stool featuring a fresh style that is in line with new market trends. The ideal companion for relaxation, mixed work and multipurpose areas where comfort and aesthetics walk hand in hand. Their adjustable height and rocking motion allow them to be perfect for use at any time. Available in two colors depending on the mode

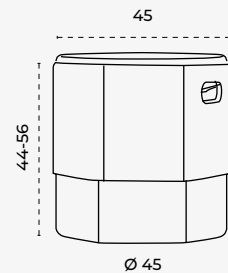


1828-4-1



1828W-4-1

Dimensions (cm)



Ref.	Description	Qty.	cm (product)
1828-4-1	BE SOFT adjustable puf - grey structure	1	45 x 44-56 x 45
1828W-4-1	BE SOFT adjustable puf - white structure	1	45 x 44-56 x 45

# ERGOLINE

## **An ideal world to sit down.**

Ergonomics, well-being, flexibility, adaptability..., in short, total daily mobility. Our ERGOLINE series moves with you throughout your daily work life, whether from the office or from home, always seeking maximum comfort so that your performance and creativity are at their highest level. The series includes a wide range of office chairs, the perfect complement to any workspace. Chairs with a modern and innovative design to adapt to user and environmental needs. Availability of various finishes and accessories to achieve maximum well-being at all times.



ERGOLINE

# ERGOLINE



## 24-HOUR OFFICE CHAIR RD-933V26



Professional 24-hour office chair with seat upholstered in flame-retardant fabric over injected foam interior and black mesh backrest upholstered over an injected technical polymer structure, metal base and robust synchro mechanism. Lumbar adjustment and seat depth adjustment. 4D adjustable armrests and headrest as standard. High-performance castors for intensive use. Compatible with parquet castors RD-917.

Easy assembly.

### UPHOLSTERY F

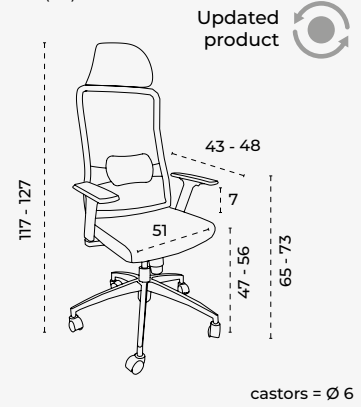


-4



RD-917 (Optional)

Dimensions (cm)



Ref.	Description	Qty.	cm (product)
933V26-4	24-hour office chair	1	65 x 127-137 x 65
917	Ø6cm parquet castors - pack 5u (optional)	5	6 x 10 x 5

Chair certified EN1335 / 24h: BS 5459-2:2000 + A2:2008.

## EXECUTIVE CHAIR RD-998V15



Ergonomic executive chair with castors. Seat and backrest upholstered in faux leather over injected foam interior, ideal for maintaining a healthy posture at all times and providing comfort during long working days. 360° swivel and very easy to move. Injected aluminium base and robust professional synchro-tilt mechanism. Metal connecting structure. Armrests and headrest as standard. Compatible with parquet castors RD-917.

Easy assembly.

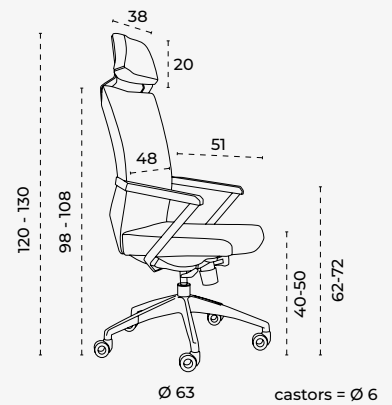


Black faux leather



RD-917 (Optional)

Dimensions (cm)



Ref.	Description	Qty.	cm (product)
998V15	Executive chair RD-998V15	1	63 x 120-130 x 63
917	Ø6cm parquet castors - pack 5u (optional)	5	6 x 10 x 5

Chair certified EN1335.

## EXECUTIVE CHAIR RD-986V22



Executive chair with seat and backrest upholstered in faux leather, chrome metal base and synchro mechanism. Integrated headrest and chrome metal armrests with padded top as standard. Compatible with parquet castors RD-917.

Easy assembly.

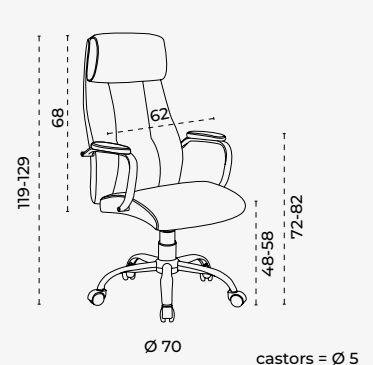


Black faux leather



RD-917 (Optional)

Dimensions (cm)



Ref.	Description	Qty.	cm (product)
986V22	Executive chair RD-986V22	1	70 x 119-129 x 70
917	Ø6cm parquet castors - pack 5u (optional)	5	6 x 10 x 5

Chair certified EN1335.

! = Finishes on request

Dimensions = width x height x depth (cm)

## EXECUTIVE CHAIR RD-988V22



Executive chair with seat and backrest upholstered in faux leather with chrome metal base and tilt mechanism. Chrome metal armrests with padded top as standard. Compatible with parquet castors RD-917.

Easy assembly.

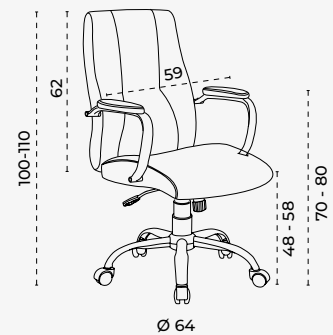


Black faux leather



RD-917 (Optional)

Dimensions (cm)



castors = Ø 5

Ref.	Description	Qty.	cm (product)
● 988V22	Executive chair RD-988V22	1	64 x 100-110 x 64
● 917	Ø6cm parquet castors - pack 5u (optional)	5	6 x 10 x 5

● Chair certified EN1335.

## VISITOR CHAIR RD-990V26

NEW



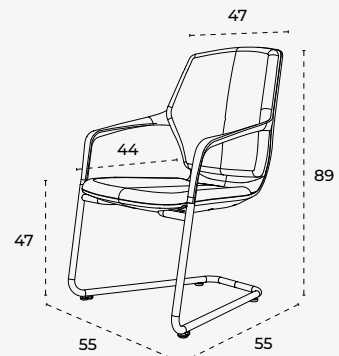
Elegant and minimalist visitor chair with timeless design. Upholstered in faux leather over injected foam interior and chrome tubular metal base. Armrests as standard.

Easy assembly.



Black faux leather

Dimensions (cm)



Ref.	Description	Qty.	cm (product)
● 990V26	Visitor chair RD-990V26	1	55 x 89 x 55

● Chair with EN16139.

## VISITOR CHAIR RD-985V22

VIDEO



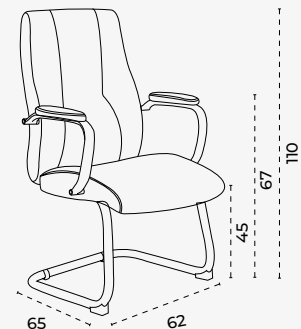
Elegant and minimalist visitor chair. Upholstered in faux leather over injected foam interior and highly stable chrome tubular metal base. Chrome metal armrests with padded top as standard.

Easy assembly.



Black faux leather

Dimensions (cm)



Ref.	Description	Qty.	cm (product)
● 985V22	Visitor chair RD-985V22	1	62 x 110 x 65

● Chair with EN16139 certification.

## RECEPTION SOFAS



VIDEO



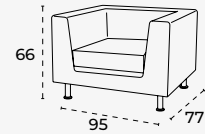
Compact 1-, 2- and 3-seater sofas with great comfort, ideal for waiting rooms and reception areas. Their classic and modern design will fit perfectly into any décor. Manufactured with chrome feet and robust structure upholstered in high-quality faux leather, ensuring a soft touch with minimal maintenance.



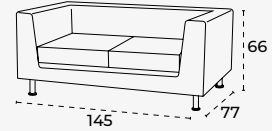
Black faux leather

Easy assembly.

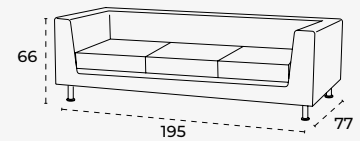
Dimensions (cm)



Ref. RD-971



Ref. RD-972



Ref. RD-973

Ref.	Description	Qty.	cm (product)
971	1-seater reception sofa	1	95 x 66 x 77
972	2-seater reception sofa	1	145 x 66 x 77
973	3-seater reception sofa	1	195 x 66 x 77

## TASK CHAIR RD-937V26 BLACK STRUCTURE



VIDEO



Professional task office chair with seat upholstered in flame-retardant fabric over injected foam interior and height-adjustable black mesh backrest upholstered over an injected technical polymer frame, injected polymer base and robust synchro mechanism. Lumbar adjustment and sliding seat. 3D adjustable armrests. Compatible with parquet castors RD-917.

Easy assembly.

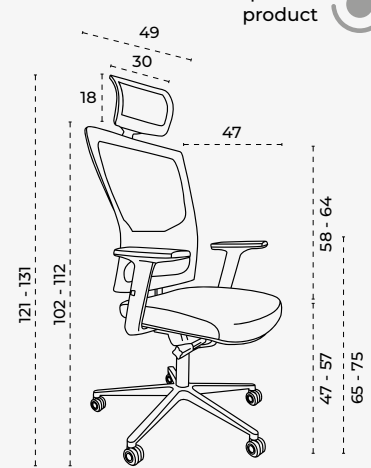
### UPHOLSTERY F



RD-917 (Optional)

Dimensions (cm)

Updated product



castors = Ø 6

Ref.	Description	Qty.	cm (product)
● 937V26-3	Professional task chair RD-937V26	1	68 x 102-112 x 68
● 937V26-4	Professional task chair RD-937V26	1	68 x 102-112 x 68
● 937V26-1	Professional task chair RD-937V26	1	68 x 102-112 x 68
● 937V26-2	Professional task chair RD-937V26	1	68 x 102-112 x 68
● 937V26-5	Professional task chair RD-937V26	1	68 x 102-112 x 68
● 937V26-6	Professional task chair RD-937V26	1	68 x 102-112 x 68
937HR	Headrest for chair RD-937V26 (optional)	1	30 x 25 x 11
917	Ø6cm parquet castors - pack 5u (optional)	5	6 x 10 x 5

● Chair certified EN1335.

! = Finishes on request

Dimensions = width x height x depth (cm)

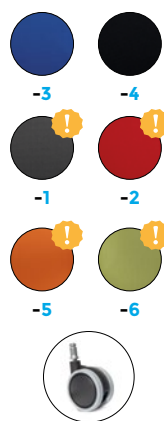
## TASK CHAIR RD-934WMV26 WHITE STRUCTURE



Professional task office chair with seat upholstered in flame-retardant fabric over injected foam interior and black mesh backrest over an injected technical polymer frame incorporating adaptive movement system, injected polymer base and robust synchro mechanism with automatic weight adjustment system. Lumbar adjustment and seat depth adjustment. 4D adjustable armrests. Compatible with parquet castors RD-917.

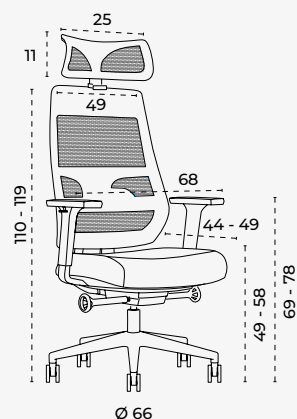
Easy assembly.

### UPHOLSTERY F



**RD-917**  
(Optional)

Dimensions (cm)

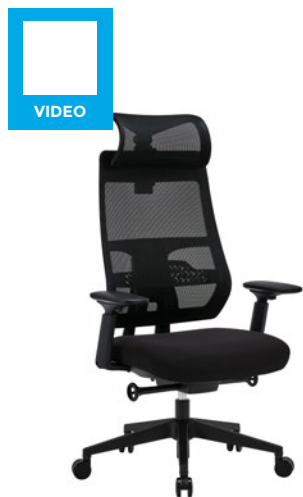


castors = Ø 6

Ref.	Description	Qty.	cm (product)
● 934WMV26-3	Professional task chair RD-934WMV26 - mesh backrest	1	68 x 110-119 x 66
● 934WMV26-4	Professional task chair RD-934WMV26 - mesh backrest	1	68 x 110-119 x 66
● 934WMV26-1	Professional task chair RD-934WMV26 - mesh backrest	1	68 x 110-119 x 66
● 934WMV26-2	Professional task chair RD-934WMV26 - mesh backrest	1	68 x 110-119 x 66
● 934WMV26-5	Professional task chair RD-934WMV26 - mesh backrest	1	68 x 110-119 x 66
● 934WMV26-6	Professional task chair RD-934WMV26 - mesh backrest	1	68 x 110-119 x 66
934WHR	Headrest for chair RD-934WMV26 (optional)	1	-
917	Ø6cm parquet castors - pack 5u (optional)	5	6 x 10 x 5

● Chair certified EN1335.

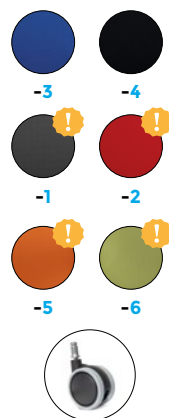
## TASK CHAIR RD-934MV26 BLACK STRUCTURE



Professional task office chair with seat upholstered in flame-retardant fabric over injected foam interior and black mesh backrest over an injected technical polymer frame incorporating adaptive movement system, injected polymer base and robust synchro mechanism with automatic weight adjustment system. Lumbar adjustment and seat depth adjustment. 4D adjustable armrests. Compatible with parquet castors RD-917.

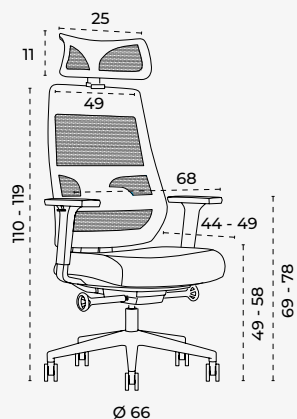
Easy assembly.

### UPHOLSTERY F



**RD-917**  
(Optional)

Dimensions (cm)



Updated product

castors = Ø 6

Ref.	Description	Qty.	cm (product)
● 934MV26-3	Professional task chair RD-934MV26 - mesh backrest	1	68 x 110-119 x 66
● 934MV26-4	Professional task chair RD-934MV26 - mesh backrest	1	68 x 110-119 x 66
● 934MV26-1	Professional task chair RD-934MV26 - mesh backrest	1	68 x 110-119 x 66
● 934MV26-2	Professional task chair RD-934MV26 - mesh backrest	1	68 x 110-119 x 66
● 934MV26-5	Professional task chair RD-934MV26 - mesh backrest	1	68 x 110-119 x 66
● 934MV26-6	Professional task chair RD-934MV26 - mesh backrest	1	68 x 110-119 x 66
934HR	Headrest for chair RD-934MV26 (optional)	1	-
917	Ø6cm parquet castors - pack 5u (optional)	5	6 x 10 x 5

● Chair certified EN1335.

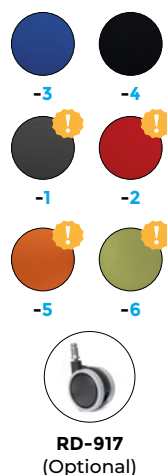
## TASK CHAIR RD-934WV26 WHITE STRUCTURE



Professional task chair with seat and backrest upholstered in flame-retardant fabric, injected foam and technical polymer structure with adaptive movement system. Features a robust base, synchro mechanism with automatic weight adjustment, lumbar adjustment and seat depth adjustment. Includes 4D armrests as standard and is compatible with parquet castors RD-917.

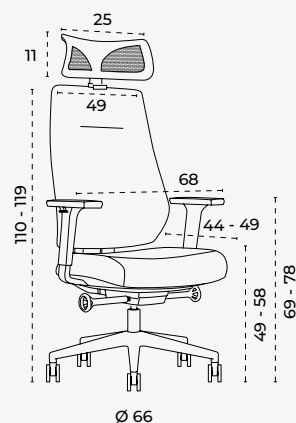
Easy assembly.

### UPHOLSTERY F



**RD-917**  
(Optional)

Dimensions (cm)

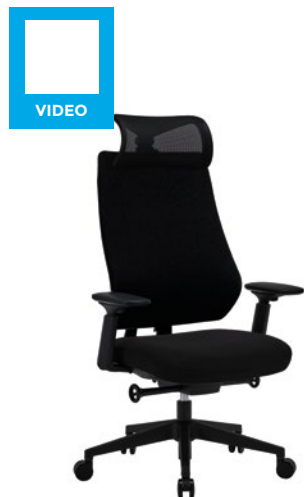


castors = Ø 6

Ref.	Description	Qty.	cm (product)
● <b>934WV26-3</b>	Professional task chair RD-934WV26	1	68 x 110-119 x 66
● <b>934WV26-4</b>	Professional task chair RD-934WV26	1	68 x 110-119 x 66
● <b>934WV26-1</b>	Professional task chair RD-934WV26	1	68 x 110-119 x 66
● <b>934WV26-2</b>	Professional task chair RD-934WV26	1	68 x 110-119 x 66
● <b>934WV26-5</b>	Professional task chair RD-934WV26	1	68 x 110-119 x 66
● <b>934WV26-6</b>	Professional task chair RD-934WV26	1	68 x 110-119 x 66
<b>934WHR</b>	Headrest for chair RD-934WV26 (optional)	1	-
<b>917</b>	Ø6cm parquet castors - pack 5u (optional)	5	6 x 10 x 5

● Chair certified EN1335.

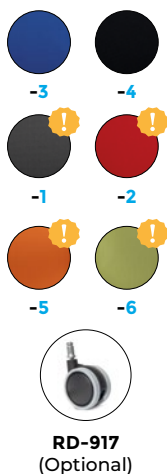
## TASK CHAIR RD-934V26 BLACK STRUCTURE



Professional task chair with seat and backrest upholstered in flame-retardant fabric, injected foam and technical polymer structure with adaptive movement system. Features a robust base, synchro mechanism with automatic weight adjustment, lumbar adjustment and seat depth adjustment. Includes 4D armrests as standard and is compatible with parquet castors RD-917.

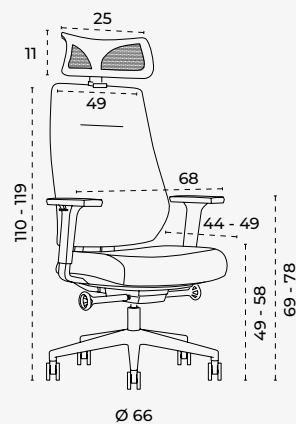
Easy assembly.

### UPHOLSTERY F



**RD-917**  
(Optional)

Dimensions (cm)



castors = Ø 6

Ref.	Description	Qty.	cm (product)
● <b>934V26-3</b>	Professional task chair RD-934V26	1	68 x 110-119 x 66
● <b>934V26-4</b>	Professional task chair RD-934V26	1	68 x 110-119 x 66
● <b>934V26-1</b>	Professional task chair RD-934V26	1	68 x 110-119 x 66
● <b>934V26-2</b>	Professional task chair RD-934V26	1	68 x 110-119 x 66
● <b>934V26-5</b>	Professional task chair RD-934V26	1	68 x 110-119 x 66
● <b>934V26-6</b>	Professional task chair RD-934V26	1	68 x 110-119 x 66
<b>934HR</b>	Headrest for chair RD-934 (optional)	1	-
<b>917</b>	Ø6cm parquet castors - pack 5u (optional)	5	6 x 10 x 5

● Chair certified EN1335.

! = Finishes on request

Dimensions = width x height x depth (cm)

## OFFICE CHAIRS RD-908W



Operations office chairs with seats upholstered in flame-resistant fabric over an injected foam interior. Backrest in upholstered with mesh over injected technical polymer. Base in technical polymer and robust synchro - tilting mechanism for daily use. Lumbar adjustment. Adjustable arms as standard. Compatible with the RD917 parquet wheels.

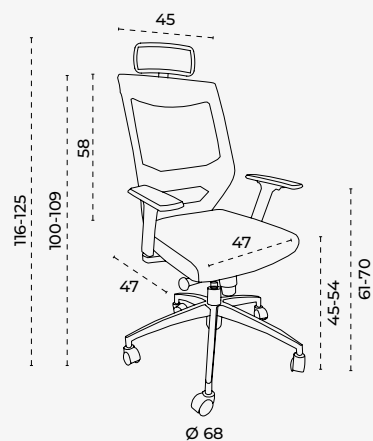
Easy assembly.

### UPHOLSTERY F



**RD-917**  
(Optional)

Dimensions (cm)



castors = Ø 6

Ref.	Description	Qty.	cm (product)
● 908W-3	Professional office chair RD-908W	1	68 x 100-109 x 68
● 908W-4	Professional office chair RD-908W	1	68 x 100-109 x 68
● 908W-1	Professional office chair RD-908W	1	68 x 100-109 x 68
● 908W-2	Professional office chair RD-908W	1	68 x 100-109 x 68
● 908W-5	Professional office chair RD-908W	1	68 x 100-109 x 68
● 908W-6	Professional office chair RD-908W	1	68 x 100-109 x 68
908WHR	Headrest for RD-908W (optional)	1	29 x 21 x 11
917	Ø6cm parquet castors - pack 5u (optional)	5	6 x 10 x 5

● Chair with EN1335 certification.

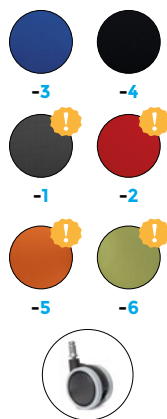
## OFFICE CHAIRS RD-908



“Operations office chairs with seats upholstered in flame-resistant fabric over an injected foam interior, mesh-upholstered technical polymer-injected back. Base in technical polymer and robust synchro - tilting mechanism for daily use. Lumbar adjustment. Adjustable arms as standard. Compatible with the RD917 parquet wheels.

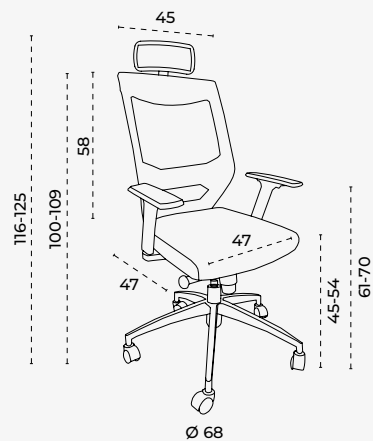
Easy assembly.

### UPHOLSTERY F



**RD-917**  
(Optional)

Dimensions (cm)



castors = Ø 6

Ref.	Description	Qty.	cm (product)
● 908-3	Professional office chair RD-908	1	68 x 100-109 x 68
● 908-4	Professional office chair RD-908	1	68 x 100-109 x 68
● 908-1	Professional office chair RD-908	1	68 x 100-109 x 68
● 908-2	Professional office chair RD-908	1	68 x 100-109 x 68
● 908-5	Professional office chair RD-908	1	68 x 100-109 x 68
● 908-6	Professional office chair RD-908	1	68 x 100-109 x 68
908HR	Headrest for RD-908 (optional)	1	29 x 21 x 11
917	Ø6cm parquet castors - pack 5u (optional)	5	6 x 10 x 5

● Chair with EN1335 certification.

## OFFICE CHAIRS RD-907W



Operations office chairs with seats upholstered in flame-resistant fabric over an injected foam interior, mesh-upholstered technical polymer-injected back. Base in technical polymer and robust tilting mechanism for daily use. Adjustable arms as standard. Compatible with the RD917 parquet wheels.

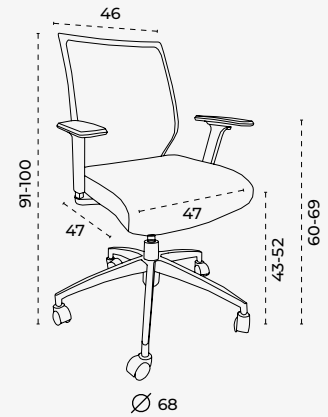
Easy assembly.

### UPHOLSTERY F



**RD-917**  
(Optional)

Dimensions (cm)



castors = Ø 5,5

Ref.	Description	Qty.	cm (product)
907W-3	Office chairs RD-907W	1	68 x 91-100 x 68
907W-4	Office chairs RD-907W	1	68 x 91-100 x 68
907W-1	Office chairs RD-907W	1	68 x 91-100 x 68
907W-2	Office chairs RD-907W	1	68 x 91-100 x 68
907W-5	Office chairs RD-907W	1	68 x 91-100 x 68
907W-6	Office chairs RD-907W	1	68 x 91-100 x 68
917	Ø6cm parquet castors - pack 5u (optional)	5	6 x 10 x 5

● Chair with EN1335 certification.

## OFFICE CHAIRS RD-907



Operations office chairs with seats upholstered in flame-resistant fabric over an injected foam interior, mesh-upholstered technical polymer-injected back. Base in technical polymer and robust tilting mechanism for daily use. Adjustable arms as standard. Compatible with the RD917 parquet wheels.

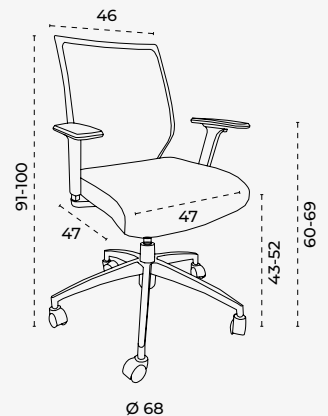
Easy assembly.

### UPHOLSTERY F



**RD-917**  
(Optional)

Dimensions (cm)



castors = Ø 5,5

Ref.	Description	Qty.	cm (product)
907-3	Silla operativa RD-907	1	68 x 91-100 x 68
907-4	Silla operativa RD-907	1	68 x 91-100 x 68
907-1	Silla operativa RD-907	1	68 x 91-100 x 68
907-2	Silla operativa RD-907	1	68 x 91-100 x 68
907-5	Silla operativa RD-907	1	68 x 91-100 x 68
907-6	Silla operativa RD-907	1	68 x 91-100 x 68
917	Ø6cm parquet castors - pack 5u (optional)	5	6 x 10 x 5

● Chair with EN1335 certification.

! = Finishes on request

Dimensions = width x height x depth (cm)

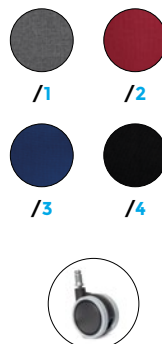
## OFFICE CHAIRS RD-911



Operations office chairs with cloth-upholstered seats on an injected foam interior, technical polymer base and a permanent contact mechanism. Adjustable height backrest. Height-adjustable arms as standard. Compatible with the RD917 parquet wheels.

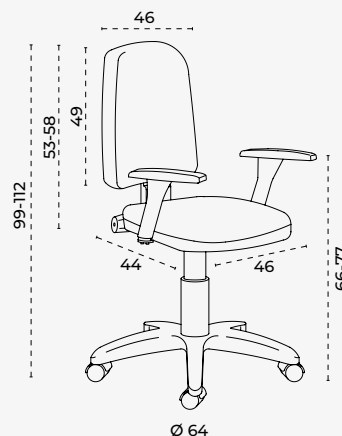
Easy assembly.

### UPHOLSTERY R



**RD-917**  
(Optional)

Dimensions (cm)



castors = Ø 5

Ref.	Description	Qty.	cm (product)
911/1+958	Office chairs RD-911+958	1	64 x 99-112 x 64
911/2+958	Office chairs RD-911+958	1	64 x 99-112 x 64
911/3+958	Office chairs RD-911+958	1	64 x 99-112 x 64
911/4+958	Office chairs RD-911+958	1	64 x 99-112 x 64
917	Ø6cm parquet castors - pack 5u (optional)	5	6 x 10 x 5

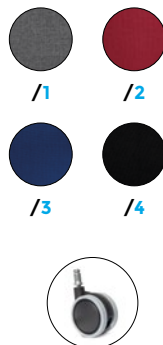
## OFFICE CHAIRS RD-930



Operations office chairs with cloth-upholstered seats on an injected foam interior, technical polymer base and a permanent contact mechanism. Arms as standard depending on the model. Compatible with the RD917 parquet wheels.

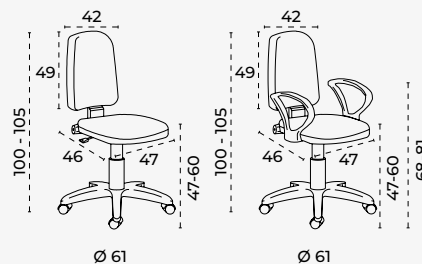
Easy assembly.

### UPHOLSTERY R



**RD-917**  
(Optional)

Dimensions (cm)



castors = Ø 5

Ref.	Description	Qty.	cm (product)
930/1+956	Office chairs RD-930 + armrest	1	61 x 100-105 x 61
930/2+956	Office chairs RD-930 + armrest	1	61 x 100-105 x 61
930/3+956	Office chairs RD-930 + armrest	1	61 x 100-105 x 61
930/4+956	Office chairs RD-930 + armrest	1	61 x 100-105 x 61
930/1	Office chairs RD-930	1	61 x 100-105 x 61
930/2	Office chairs RD-930	1	61 x 100-105 x 61
930/3	Office chairs RD-930	1	61 x 100-105 x 61
930/4	Office chairs RD-930	1	61 x 100-105 x 61
917	Ø6cm parquet castors - pack 5u (optional)	5	6 x 10 x 5

## COLLABORATIVE CHAIR RD-928



Collaborative chair with base and central body in flexible technical polymer with upholstered seat and backrest. Large work tablet that allows laptops, adjustable to the right and left without disassembly thanks to its 360° rotation system. Its design allows easy access and, thanks to its integrated armrests, maximum comfort is achieved. The base allows storing all kinds of objects and its castors facilitate effortless movement between different areas.

Easy assembly.

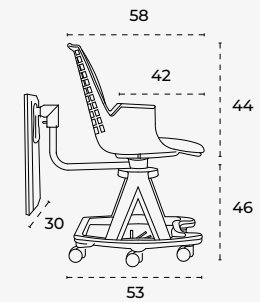
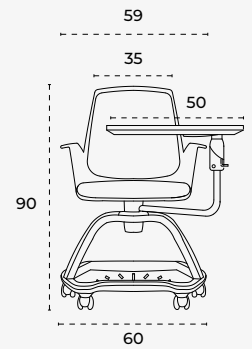
### UPHOLSTERY F



-4

Dimensions (cm)

Updated product



castors = Ø 5

Ref.	Description	Qty.	cm (product)
928-4	Collaborative chair RD-928	1	60 x 90 x 53

Chair certified EN16139.



= Finishes on request

Dimensions = width x height x depth (cm)

235 |

## VISITOR CHAIR RD-990V26T

NEW



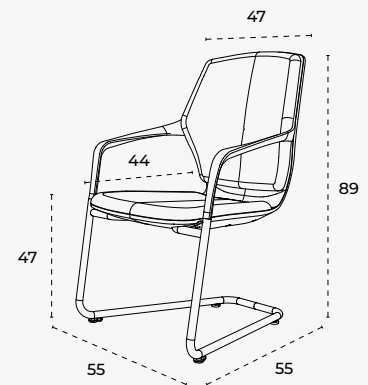
Elegant and minimalist visitor chair with timeless design. Upholstered over injected foam interior and chrome tubular metal base. Armrests as standard.

Easy assembly.

### UPHOLSTERY F



Dimensions (cm)



Ref.	Description	Qty.	cm (product)
● 990V26-3	Upholstered visitor chair RD-990V26	1	55 x 89 x 55
● 990V26-4	Upholstered visitor chair RD-990V26	1	55 x 89 x 55
● 990V26-1	Upholstered visitor chair RD-990V26	1	55 x 89 x 55
● 990V26-2	Upholstered visitor chair RD-990V26	1	55 x 89 x 55
● 990V26-5	Upholstered visitor chair RD-990V26	1	55 x 89 x 55
● 990V26-6	Upholstered visitor chair RD-990V26	1	55 x 89 x 55

● Chair certified EN16139.

## VISITOR'S CHAIR RD-938M



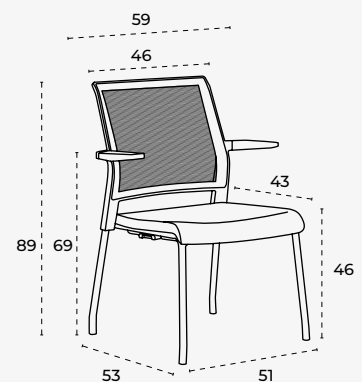
Visitor chair with upholstered seat, inner injected foam and a mesh back. Armrests integrated into the structure. Metal structure painted in black Epoxy colour.

Easy assembly.

### UPHOLSTERY F



Dimensions (cm)



Ref.	Description	Qty.	cm (product)
● 938M-3	Visitor's chair RD-938M	1	59 x 89 x 53
● 938M-4	Visitor's chair RD-938M	1	59 x 89 x 53
● 938M-1	Visitor's chair RD-938M	1	59 x 89 x 53
● 938M-2	Visitor's chair RD-938M	1	59 x 89 x 53
● 938M-5	Visitor's chair RD-938M	1	59 x 89 x 53
● 938M-6	Visitor's chair RD-938M	1	59 x 89 x 53
938CST	Ø5cm wheels for RD-938M chair (optional)	4	-

● Chair certified EN16139.

## VISITOR'S CHAIR RD-906V23W



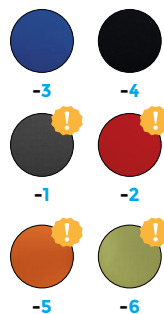
VIDEO



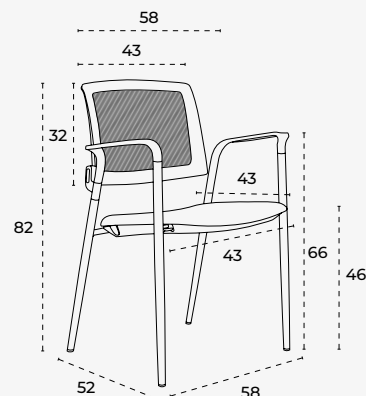
Visitor chair with upholstered seat, inner injected foam and a mesh back. Armrests integrated into the structure. Metal structure painted in white Epoxy colour.

Easy assembly.

### UPHOLSTERY F



Dimensions (cm)



Ref.	Description	Qty.	cm (product)
● 906V23W-3	Visitor's chair RD-906V23W	1	58 x 82 x 52
● 906V23W-4	Visitor's chair RD-906V23W	1	58 x 82 x 52
● 906V23W-1	Visitor's chair RD-906V23W	1	58 x 82 x 52
● 906V23W-2	Visitor's chair RD-906V23W	1	58 x 82 x 52
● 906V23W-5	Visitor's chair RD-906V23W	1	58 x 82 x 52
● 906V23W-6	Visitor's chair RD-906V23W	1	58 x 82 x 52

● Chair certified EN16139.

## VISITOR'S CHAIR RD-906V23



VIDEO



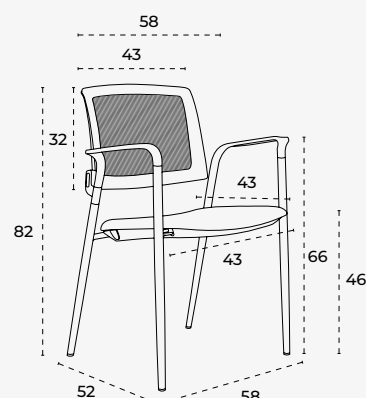
Visitor chair with upholstered seat, inner injected foam and a mesh back. Armrests integrated into the structure. Metal structure painted in black Epoxy colour.

Easy assembly.

### UPHOLSTERY F



Dimensions (cm)



Ref.	Description	Qty.	cm (product)
● 906V23-3	Visitor's chair RD-906V23	1	58 x 82 x 52
● 906V23-4	Visitor's chair RD-906V23	1	58 x 82 x 52
● 906V23-1	Visitor's chair RD-906V23	1	58 x 82 x 52
● 906V23-2	Visitor's chair RD-906V23	1	58 x 82 x 52
● 906V23-5	Visitor's chair RD-906V23	1	58 x 82 x 52
● 906V23-6	Visitor's chair RD-906V23	1	58 x 82 x 52

● Chair certified EN16139.

! = Finishes on request

Dimensions = width x height x depth (cm)

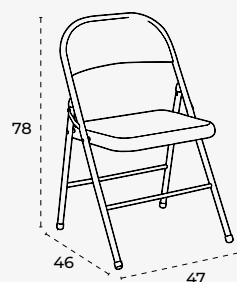
## CONFIDENT FOLDING CHAIR RD-921V15



Folding basic chair with seat, back and metal structure ideal for multi-purpose rooms, meetings...

It is delivered ready-assembled.  
Pack 2u.

Dimensions (cm)



Ref.	Description	Qty.	cm (product)
921V15-4	Confident folding chair RD-921V15-4	2	47 x 78 x 46

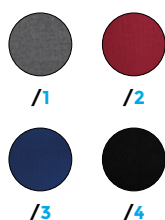
## VISITOR'S CHAIR RD-965



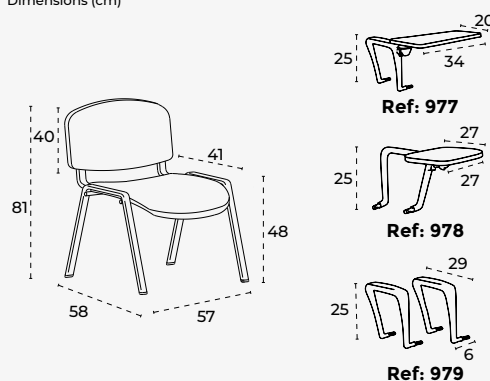
Visitor's chairs with reinforced metal base, painted in black epoxy. Seat and back upholstered in fabric. RD979 arms may be added as an option.

It is delivered ready-assembled.

### UPHOLSTERY R



Dimensions (cm)



Ref.	Description	Qty.	cm (product)
965/1	Visitor's chair RD-965	1	57 x 81 x 58
965/2	Visitor's chair RD-965	1	57 x 81 x 58
965/3	Visitor's chair RD-965	1	57 x 81 x 58
965/4	Visitor's chair RD-965	1	57 x 81 x 58
977	Right arm and tray for confident chair	1	34 x 25 x 37
978	Left arm and tray for confident chair	1	27 x 25 x 37
979	Optional arm rest for confident chair	1	29 x 25 x 6



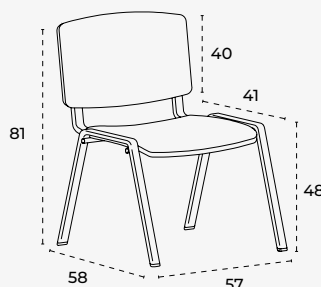
## VISITOR'S CHAIR RD-974S



Visitor's chair with back and seat made of wood. Reinforced metal structure painted in grey epoxy. RD979 arms may be added as an option.

It is delivered ready-assembled.

Dimensions (cm)



Ref: 977



Ref: 978



Ref: 979

Ref.	Description	Qty.	cm (product)
974S	Visitor's chair RD-974S	1	57 x 81 x 58
977	Right arm and tray for confident chair	1	34 x 25 x 37
978	Left arm and tray for confident chair	1	27 x 25 x 37
979	Optional arm rest for confident chair	1	29 x 25 x 6

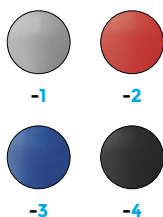
## VISITOR'S CHAIR RD-975



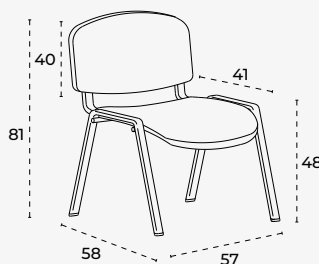
Visitor's chairs with back and seat in technical polymer, with a reinforced metal base painted in black epoxy. RD979 arms may be added as an option.

It is delivered ready-assembled.

### TECHNICAL POLYMER B



Dimensions (cm)



Ref: 977



Ref: 978



Ref: 979

Ref.	Description	Qty.	cm (product)
975V15-1	Visitor's chair RD-975V15	1	57 x 81 x 58
975V15-2	Visitor's chair RD-975V15	1	57 x 81 x 58
975V15-3	Visitor's chair RD-975V15	1	57 x 81 x 58
975V15-4	Visitor's chair RD-975V15	1	57 x 81 x 58
977	Right arm and tray for confident chair	1	34 x 25 x 37
978	Left arm and tray for confident chair	1	27 x 25 x 37
979	Optional arm rest for confident chair	1	29 x 25 x 6

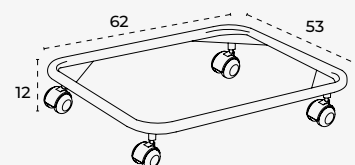
## TROLLEY FOR CHAIR RD-965 & RD-974S & RD-975



Trolley for RD-965, RD-974S and RD-975V15 chairs. It allows the storage and correct transport of 9 chairs without effort. Made of steel tubing.

Shipped assembled.

Dimensions (cm)



Ref.	Description	Qty.	cm (product)
965TY	Trolley for chair RD-965 & RD-974S & RD-975	1	62 x 53 x 12

## NIRA20 HIGH STOOLS

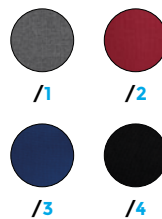
NEW



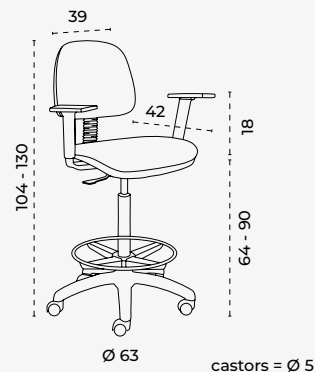
High stool with seat and backrest upholstered in flame-retardant fabric and padded, with adjustable armrests as standard. Technical polymer base with black finish. Compatible with parquet castors RD-917.

Easy assembly.

### UPHOLSTERY R



Dimensions (cm)



Ref.	Description	Qty.	cm (product)
NIRA20-120404R01	Height-adjustable high stool NIRA20	1	63 x 104-130 x 63
NIRA20-120404R02	Height-adjustable high stool NIRA20	1	63 x 104-130 x 63
NIRA20-120404R03	Height-adjustable high stool NIRA20	1	63 x 104-130 x 63
NIRA20-120404R04	Height-adjustable high stool NIRA20	1	63 x 104-130 x 63
917	Ø6cm parquet castors - pack 5u (optional)	5	6 x 10 x 5

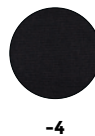
## HIGH STOOL WITH PAINTED STRUCTURE RD-926



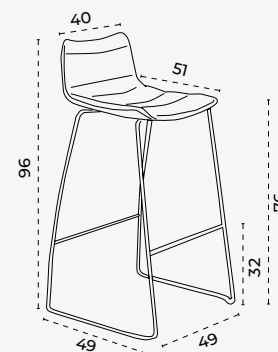
High stool with seat and low monobloc back, upholstered with fireproof fabric and cushioned. Painted steel metal base.

Easy assembly.

### UPHOLSTERY F



Dimensions (cm)



Ref.	Description	Qty.	cm (product)
926-4	High stool with painted structure RD-926	1	49 x 96 x 49

Chair certified EN12520.

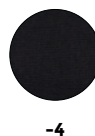
## HEIGHT-ADJUSTABLE STOOL RD-927



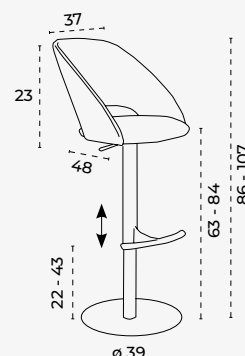
High stool with seat and mid-height back upholstered with fireproof fabric and cushioned. Metal base with painted footrest. Gas piston height adjustment with a long range of movement.

Easy assembly.

### UPHOLSTERY F



Dimensions (cm)



Ref.	Description	Qty.	cm (product)
927-4	Height-adjustable stool RD-927	1	47 x 86-107 x 47

Chair certified EN12520.

## HEIGHT-ADJUSTABLE STOOL RD-925N



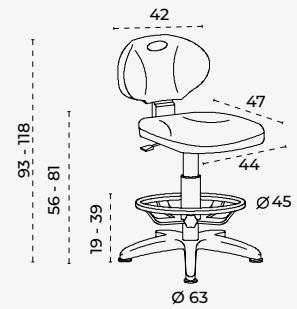
Stool with seat and back made of high-strength technical polymer for demanding uses with a basic mechanism. Long stroke gas piston. Technical polymer base with non-slip pads. Compatible with parquet wheels.

Easy assembly.



**RD-917**  
(Optional)

Dimensions (cm)



Ref.	Description	Qty.	cm (product)
925N	Height-adjustable stool technical polymer seat/backrest	1	63 x 93-118 x 63
917	Ø6cm parquet castors - pack 5u (optional)	5	6 x 10 x 5

## HEIGHT-ADJUSTABLE STOOL RD-980



Mobile stool made of flame-resistant fabric and metal base, with a basic mechanism. Long stroke gas piston.

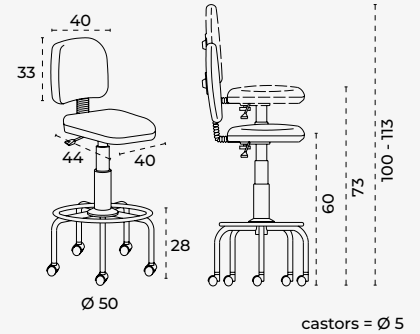
Easy assembly.

### UPHOLSTERY R



Black

Dimensions (cm)



Ref.	Description	Qty.	cm (product)
980	Stool with upholstered seat/backrest RD-980	1	50 x 100-113 x 50

● Castors included.

## HEIGHT-ADJUSTABLE STOOL RD-900



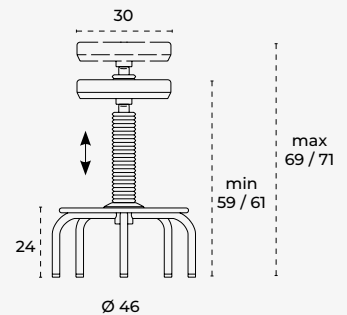
Metal-structured stools with a 5-foot base. The seat can be regulated via a rotating spindle.

Easy assembly.



**RD-916**  
(Optional)

Dimensions (cm)



Ref.	Description	Qty.	cm (product)
900	Height adjustable stool - Upholstered seat	1	46 x 61-71 x 46
900/2	Height adjustable stool - wood seat	1	46 x 59-69 x 46
916	Ø6cm castors for stool RD-900 (optional)	5	5 x 9 x 5

● = Finishes on request

Dimensions = width x height x depth (cm)

# ERGOLINE CHAIR COMPARISON



RD-933

RD-998

RD-986

RD-988

RD-990

RD-985

RD-937

Height adjustment	<input checked="" type="radio"/>	<input checked="" type="radio"/>	<input checked="" type="radio"/>	<input checked="" type="radio"/>	<input type="radio"/>	<input type="radio"/>	<input checked="" type="radio"/>
Seat depth adjustment	<input checked="" type="radio"/>	<input type="radio"/>	<input type="radio"/>	<input type="radio"/>	<input type="radio"/>	<input type="radio"/>	<input checked="" type="radio"/>
Backrest height adjustment	<input checked="" type="radio"/>	<input type="radio"/>	<input type="radio"/>	<input type="radio"/>	<input type="radio"/>	<input type="radio"/>	<input checked="" type="radio"/>
Lumbar adjustment	<input checked="" type="radio"/>	<input type="radio"/>	<input type="radio"/>	<input type="radio"/>	<input type="radio"/>	<input type="radio"/>	<input checked="" type="radio"/>
Armrest adjustment	4D	-	-	-	-	-	3D
Seat mechanisms	Synchro-tilt	Synchro-tilt	Synchro-tilt	Tilt	-	-	Synchro-tilt
Structure materials	Steel / Technical polymer / Aluminium	Steel / Technical polymer / Aluminium	Steel	Steel	Steel	Steel	Technical polymer
Structure finishes	<input type="radio"/>	<input type="radio"/>	<input type="radio"/>	<input type="radio"/>	<input type="radio"/>	<input type="radio"/>	<input checked="" type="radio"/>
Seat materials	Upholstered	Faux leather	Faux leather	Faux leather	Faux leather	Faux leather	Upholstered
Seat finishes	<input checked="" type="radio"/>	<input checked="" type="radio"/>	<input checked="" type="radio"/>	<input checked="" type="radio"/>	<input checked="" type="radio"/>	<input checked="" type="radio"/>	<input checked="" type="radio"/>
Headrest	Included	Included	Included	-	-	-	Optional
Optional accessories	Parquet castors RD-917	Parquet castors RD-917	Parquet castors RD-917	Parquet castors RD-917	-	-	Parquet castors RD-917
User (max. kg)	150 Kg	125 Kg	125 Kg	125 Kg	100 Kg	100 Kg	150 Kg
Recommended usage time	24 h	12 h	12 h	12 h	8 h	8 h	12 h
Certification	EN1335 / 24h: BS 5459-2:2000 + A2:2008	EN1335	EN1335	EN1335	EN16139	EN16139	EN1335



RD-934M

RD-934

RD-908

RD-907

RD-911

RD-930

RD-928

							Height adjustment
							Seat depth adjustment
							Backrest height adjustment
							Lumbar adjustment
4D	4D	1D	1D	1D	-	-	Armrest adjustment
Synchro-tilt	Synchro-tilt	Synchro-tilt	Tilt	Tilt	Tilt	-	Seat mechanisms
Technical polymer	Technical polymer	Technical polymer	Technical polymer	Technical polymer	Technical polymer	Technical polymer	Structure materials
							Structure finishes
Upholstered	Upholstered	Upholstered	Upholstered	Upholstered	Upholstered	Upholstered	Seat materials
							Seat finishes
Optional	Optional	Optional	-	-	-	-	Headrest
Parquet castors RD-917	Parquet castors RD-917	Parquet castors RD-917	Parquet castors RD-917	Parquet castors RD-917	Parquet castors RD-917	Parquet castors RD-917	Optional accessories
150 Kg	150 Kg	125 Kg	125 Kg	125 Kg	125 Kg	125 Kg	User (max. kg)
12 h	12 h	8 h	8 h	8 h	8 h	5 h	Recommended usage time
EN1335	EN1335	EN1335	EN1335	In progress	In progress	EN16139	Certification

# ERGOLINE CHAIR COMPARISON



RD-990

RD-938M

RD-906

RD-921

RD-965

RD-974S

RD-975

Height adjustment	<input type="radio"/>	<input type="radio"/>	<input type="radio"/>	<input type="radio"/>	<input type="radio"/>	<input type="radio"/>	<input type="radio"/>
Seat depth adjustment	<input type="radio"/>	<input type="radio"/>	<input type="radio"/>	<input type="radio"/>	<input type="radio"/>	<input type="radio"/>	<input type="radio"/>
Backrest height adjustment	<input type="radio"/>	<input type="radio"/>	<input type="radio"/>	<input type="radio"/>	<input type="radio"/>	<input type="radio"/>	<input type="radio"/>
Lumbar adjustment	<input type="radio"/>	<input type="radio"/>	<input type="radio"/>	<input type="radio"/>	<input type="radio"/>	<input type="radio"/>	<input type="radio"/>
Armrest adjustment	-	-	-	-	-	-	-
Seat mechanisms	-	-	-	-	-	-	-
Structure materials	Steel	Steel	Steel	Steel	Steel	Steel	Steel
Structure finishes	<input type="radio"/>	<input checked="" type="radio"/>	<input type="radio"/> <input checked="" type="radio"/>	<input checked="" type="radio"/>	<input checked="" type="radio"/>	<input type="radio"/>	<input checked="" type="radio"/>
Seat materials	Upholstered	Upholstered	Upholstered	Metal	Upholstered	Natural wood	Technical polymer
Seat finishes							
Headrest	Included	optional	-	-	-	-	-
Optional accessories	-	-	-	-	Left tablet / right tablet / armrests / Trolley	Left tablet / right tablet / armrests / Trolley	Left tablet / right tablet / armrests / Trolley
User (max. kg)	100 Kg	100 Kg	100 Kg	100 Kg	100 Kg	100 Kg	100 Kg
Recommended usage time	5 h	5 h	5 h	5 h	5 h	5 h	5 h
Certification	EN16139	EN16139	EN16139	In progress	In progress	In progress	In progress



NIRA20



RD-926



RD-927



RD-925N



RD-980



RD-900

						Height adjustment
						Seat depth adjustment
						Backrest height adjustment
						Lumbar adjustment
-	-	-	-	-	-	Armrest adjustment
-	-	Basic	Basic	Basic	-	Seat mechanisms
Steel / Technical polymer	Steel	Steel	Steel / Technical polymer	Steel	Steel	Structure materials
						Structure finishes
Upholstered	Upholstered	Upholstered	Technical polymer	Upholstered	Upholstered or natural wood	Seat materials
						Seat finishes
Included	optional	-	-	-	-	Headrest
Parquet castors RD-917	-	-	Parquet castors RD-917	-	-	Optional accessories
100 Kg	100 Kg	100 Kg	100 Kg	100 Kg	100 Kg	User (max. kg)
5 h	5 h	5 h	5 h	5 h	3 h	Recommended usage time
In progress	EN12520	EN12520	In progress	In progress	In progress	Certification

# TECHNICLINE

## **Comfort and design for your projects.**

Drafting tables that adapt to all needs during the development of all types of design, architecture, study or art projects. Sometimes, it is necessary to step back in order to move forward. Our drafting tables allow professionals to work as before: touching, testing, feeling fabrics, prototypes and parts, seeking the reason behind things and, above all, the meaning of each project in order to move forward in a safe and controlled way towards the almost mandatory digitalization of all processes. Drafting tables with solid structures, a wide range of tabletops and accessories that facilitate specific work in each sector, seeking maximum interrelation between professionals.





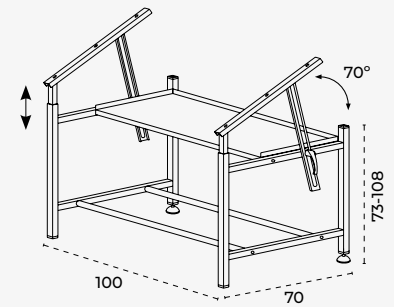
## PROFESSIONAL DRAWING TABLE RD-135



Professional drawing table. Highly resistant metal structure suitable for working with boards and drafting machines up to 170 cm. Height and tilt adjustable. Includes tray under the board and leveler as standard. Easy assembly. To complete your order you must add a board for drawing tables. Compatible boards with table RD-135:

- RD-803 (80 x 120 cm)
- RD-804 (90 x 130 cm)
- RD-805 (100 x 150 cm)
- RD-806 (100 x 170 cm)

Dimensions (cm)



Ref.	Description	Qty.	cm (product)
135	Professional drawing table RD-135	1	100 x 73-108 x 70

Board not included.

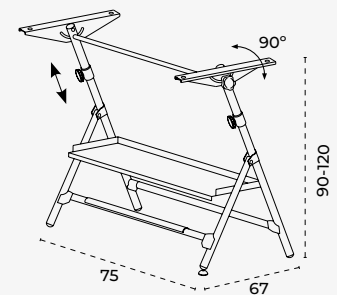
## SEMI-PROFESSIONAL DRAWING TABLE RD-175



Semi-professional drawing table. Foldable metal structure suitable for working with boards and drafting machines up to 130 cm in length. Board tilt and height adjustment (height adjustment by springs). Includes leveler. Easy assembly. To complete your order you must add a board for drawing tables. Compatible boards with table RD-175:

- RD-801 (65 x 90 cm)
- RD-802 (75 x 100 cm)
- RD-803 (80 x 120 cm)
- RD-804 (90 x 130 cm)

Dimensions (cm)



Ref.	Description	Qty.	cm (product)
175	Semi-professional drawing table RD-175	1	75 x 90-120 x 67

Board not included.

! = Finishes on request

Dimensions = width x height x depth (cm)

## WHITE BOARDS FOR DRAWING TABLES

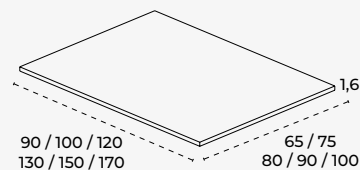


16 mm thick white boards for professional, semi-professional and student drawing tables.

Easy assembly.

Possibility to purchase boards individually or in packs of 25 units at a more affordable price. For customized packs please consult Rocada.

Dimensions (cm)



Ref.	Description	Qty.	cm (product)
801	White board for drawing tables	1	65 x 1,6 x 90
802	White board for drawing tables	1	75 x 1,6 x 100
803	White board for drawing tables	1	80 x 1,6 x 120
804	White board for drawing tables	1	90 x 1,6 x 130
805	White board for drawing tables	1	100 x 1,6 x 150
806	White board for drawing tables	1	100 x 1,6 x 170
● 801PACK	Pack of white boards for drawing tables	25	65 x 1,6 x 90
● 802PACK	Pack of white boards for drawing tables	25	75 x 1,6 x 100
● 803PACK	Pack of white boards for drawing tables	25	80 x 1,6 x 120
● 804PACK	Pack of white boards for drawing tables	25	90 x 1,6 x 130
● 805PACK	Pack of white boards for drawing tables	25	100x 1,6 x 150
● 806PACK	Pack of white boards for drawing tables	25	100 x 1,6 x 170

● Unit price with collective packaging.

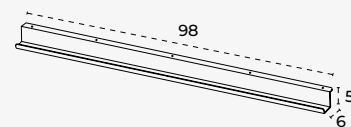
## TOOL TRAY



Metal tray for pencils or other working tools.

Easy assembly.

Dimensions (cm)



Ref.	Description	Qty.	cm (product)
700	Tool tray	1	98 x 6 x 5

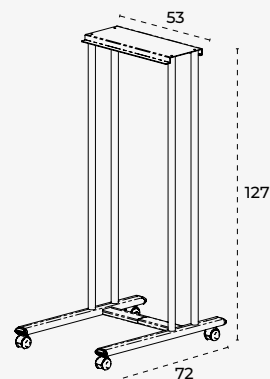
## MOBILE PLAN TROLLEY



Mobile metal structure trolley with castors, with a maximum capacity of 10 aluminium arms with clamps to hold plans up to DIN A0 size (reference RD237). Each arm allows holding 10 A0 plans in vertical format, easy to remove to allow quick and convenient consultation at any time. Available in packs of 5 units.

Easy assembly.

Dimensions (cm)



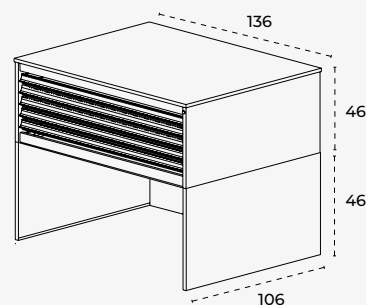
Ref.	Description	Qty.	cm (product)
236	Mobile plan trolley (frame structure)	1	72 x 127 x 53
237	Aluminium arms - DIN A0	5	32 x 126 x 9

## HORIZONTAL TECHNICAL FILING CABINET



Horizontal plan filing cabinet with a structure combining steel and melamine providing great resistance. Its metal drawers allow storing plans up to DIN A0 format. The 5 drawers incorporate aluminium handles and a locking system. Delivered assembled. Can be stacked (max 2 units RD-225). Melamine top unit RD-226 available (do not stack 2 filing cabinets on the top unit). Steel divider angles available to customize paper size when using the different drawers (Ref: RD-220).

Dimensions (cm)



Ref.	Description	Qty.	cm (product)
225	Melamine filing cabinet	1	136 x 46 x 106
226	Melamine support for filing cabinets	1	136 x 46 x 106
220	Divider angles for drawers	4	5 x 3 x 5

● Maximum weight per drawer: 15–20 kg.

! = Finishes on request

Dimensions = width x height x depth (cm)

# FINISHES



At **ROCADA**, we understand that every space and every client is unique. That is why we offer a wide variety of finishes that allow us to adapt to any aesthetic, functional or customization requirement, always maintaining the highest quality standards.

Our upholsteries are carefully selected for their durability, comfort and impeccable finish, available in an extensive range of textures and colors that ensure perfect integration into all types of environments, from the most corporate to the most creative.

The metal structures of our products are treated and finished with high-quality Epoxy paints, applied through controlled

processes that ensure optimal adhesion and excellent resistance to wear, corrosion and intensive use. This type of coating not only extends the product's lifespan, but also provides a uniform, elegant and technically superior finish.

In addition, we offer a wide color palette, carefully selected to meet the highest levels of customization requirements. This allows us to provide tailor-made solutions aligned with each client's visual identity and specific needs.

At **ROCADA**, finishes are not a detail: they are a statement of quality, design and commitment to excellence.

## **FINISHES INDEX**



<b>METAL</b>	p.254 – 255
<b>WOOD</b>	p. 256 – 257
<b>FABRIC</b>	P. 258 – 260
<b>PET</b>	P. 261
<b>TECHNICAL POLYMER</b>	p. 262
<b>MESH / FAUX LEATHER</b>	p. 263
<b>ROLL</b>	p. 264
<b>VISUALLINE FINISHES</b>	p. 265

# METAL

## EPOXY:

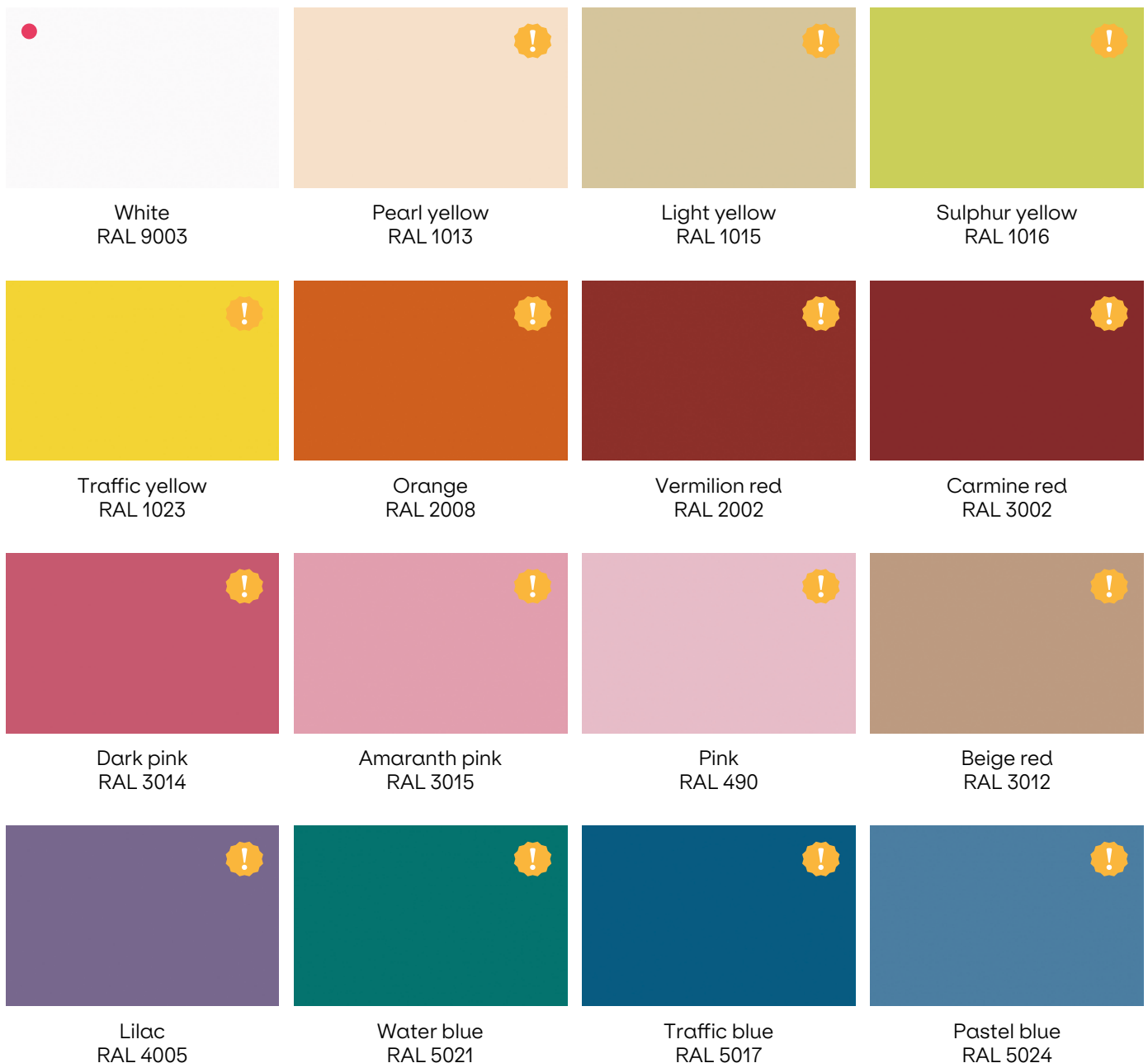
### RELATED PRODUCTS: SKINWHITEBOARDS AND ACCESSORIES / TABLE STRUCTURES / METAL CABINETS / METAL LOCKERS

Our products incorporate a powder coating finish that guarantees resistance, durability and high-quality aesthetics for demanding work environments.

This electrostatic application and oven-curing process creates a uniform and highly adherent coating that effectively protects metal surfaces against impacts, wear and daily corrosion. Its main

benefits are high resistance to use, uniform and professional finish, maximum adhesion and total protection.

Epoxy / polyester powder coating adds real value to our furniture, combining functionality, design and reliability to offer a durable and visually flawless product.



● 10% price increase on our Lockline lockers with structures 9003 / 7015 / ARENA / 9006.

# METAL



Blue  
RAL 630



Turquoise  
RAL 6027



Whitish green  
AL 6019



Whitish green  
RAL 230



Yellowish green  
RAL 6018



Light grey  
RAL 7035



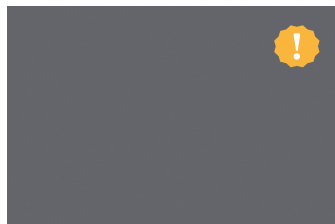
Agate grey  
RAL 7038



Stone grey  
RAL 7030



Cement grey  
RAL 7033



Quartz grey  
RAL 7039



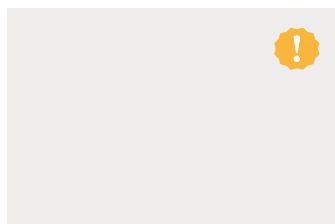
Grey  
RAL 9006



Anthracite  
RAL 7015



Grey  
RAL 7016



White  
RAL 9010



Sand yellow  
RAL 1002



Black  
RAL 9005



Azure blue  
RAL 5009

● 10% price increase on our Lockline lockers with structures 9003 / 7015 / ARENA / 9006.

! = Finishes on request

## COATED PARTICLE BOARDS (MELAMINE):

**RELATED PRODUCTS: TABLE TOPS, NATURAL BOARDS, WORK AND MEETING TABLES, MELAMINE CABINETS AND PEDESTALS, MELAMINE STRUCTURES**

The decorative boards used in our products combine design and functionality, ideal for furniture and interior cladding.

Boards of 19 and 25 mm made of particleboard with a density higher than 600 kg/m<sup>3</sup>.

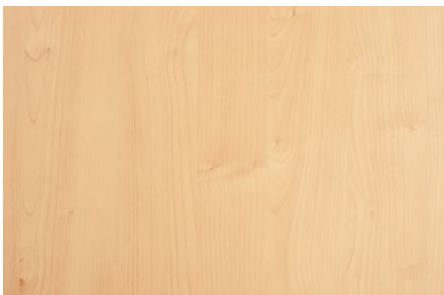
They offer a wide range of finishes, high resistance to scratches, stains and abrasion, as well as antimicrobial properties.

Material certified for formaldehyde emissions according to German standard E1E05 and TSCA (CARB2, USA). A+ emission classification, use of safe resins and EPD certification, guaranteeing a low ecological footprint and excellent indoor air quality.

% recycled: 76% from circular economy sources (recycled and sawmill by-product). 100% recyclable.

Edge finished in 1 mm thick PVC.

PVC is a recyclable plastic material with high chemical resistance and self-extinguishing properties, ideal for furniture edging. It offers good rigidity, insulating properties and resistance to indoor sunlight. Its durability contributes to a longer product lifespan, reducing environmental impact.



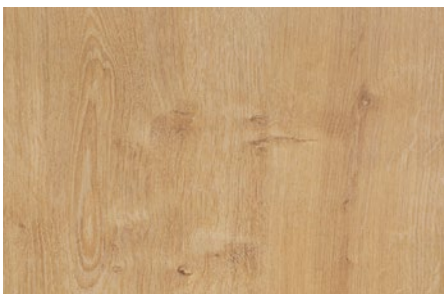
01 / AA  
Beech



02 / AN  
Grey



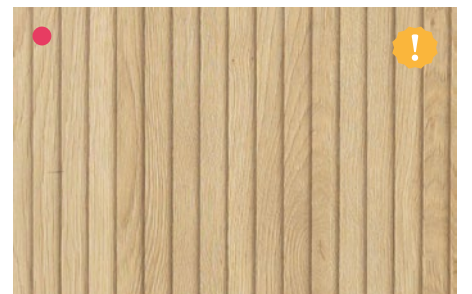
04 / AW  
White



08 / AR  
Oak



09 / AZ  
Anthracite



21  
Striped wood

● Finish only available in MAGNUM and in doors for cabinets without top.

## NATURAL WOODS:

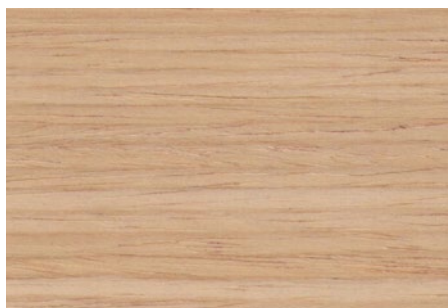
### RELATED PRODUCTS: DESIGN TABLES / WOODEN CHAIRS / BOARDS WITH WOOD FRAME / LOCKLINE BENCHES

KIBA / MYRK: Rubberwood – Sustainable, versatile and aesthetic. Rubberwood, sourced from the rubber tree after its production cycle, is an ecological and renewable material known for its sustainability and excellent resource use. Light and uniform in color, it is a stable, lightweight and easy-to-work wood, ideal for furniture and interior components. It accepts stains and varnishes very well, offering multiple finishing options. It is the perfect choice for products that combine design, environmental responsibility and functionality.

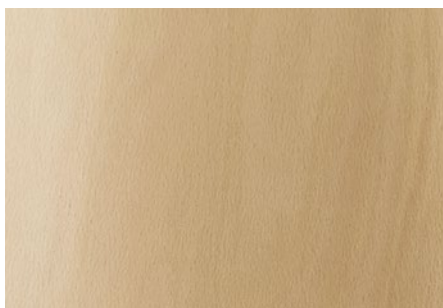
SLIM/974S: Beech plywood with natural finish (or painted depending on model) with FSC 100% certification. The pressing and bonding process guarantees a high-quality and durable product over time, in accordance with EU, American and Canadian standards.

LOCKLINE benches: Slatted pine wood is manufactured by gluing longitudinal slats together, obtaining a stable, resistant and uniform board, ideal for locker room benches in gyms, sports centers and workplaces.

Its slatted structure minimizes deformation and provides good dimensional stability. Its moderate density facilitates machining and installation. It accepts protective treatments such as varnishes or polyurethanes, improving resistance to moisture and wear in indoor use.



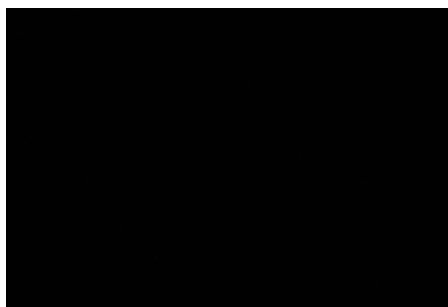
DESIGN table legs  
(Kyba / Myrk)



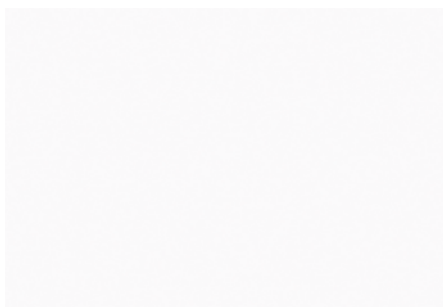
RD-974S  
Natural wood



00  
Lockline benches



BK  
Natural wood black color



WT  
Natural wood white color

# FABRIC

## UPHOLSTERY L

### RELATED PRODUCTS: BOOTHS AND TAVA TABLES

#### Technical specifications:

Composition: 100% polyester

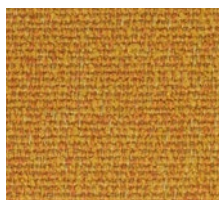
Weight: 365 gr/m<sup>2</sup>

Width: 145 cm

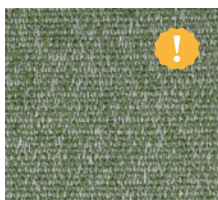
Abrasion resistance (Martindale) 50,000 cycles



01  
Beige



06  
Orange



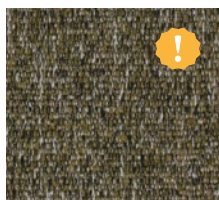
16  
Green



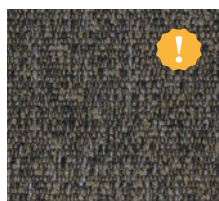
18  
Stone grey



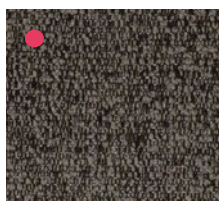
19  
Grey



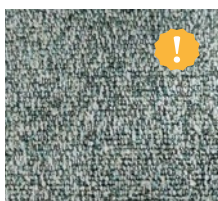
23  
Bronze grey



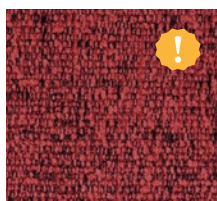
24  
Bronze



25  
Dark grey



27  
Bluish grey



44  
Burgundy red



52  
Blue

● Only finish available for TAVA tables. For other TAVA table finishes, please consult Rocada.

## UPHOLSTERY T

### RELATED PRODUCTS: DEXA / VOLGA / URAL / DON / AVON

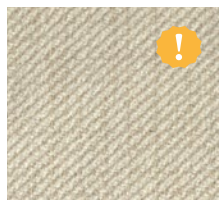
#### Technical specifications:

Composition: 100% polyester

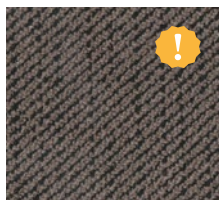
Weight: 400 gr/m<sup>2</sup>

Width: 143 cm

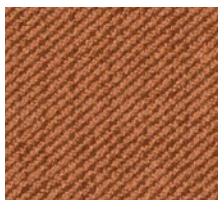
Abrasion resistance (Martindale) 100,000 cycles



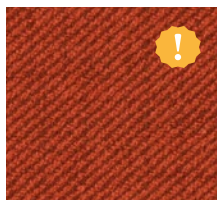
001  
Beige



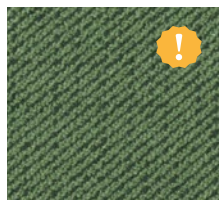
003  
Dark brown



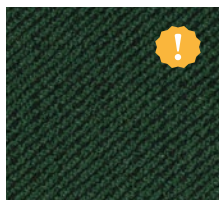
006  
Strawberry red



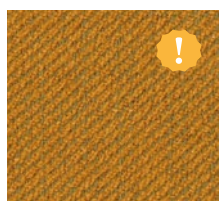
008  
Traffic red



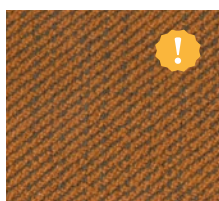
010  
Green



011  
Dark green



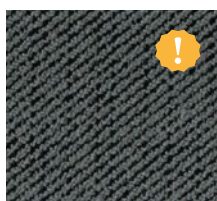
022  
Traffic yellow



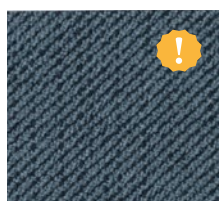
023  
Orange



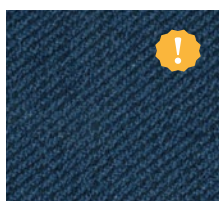
026  
Grey



028  
Dark grey



032  
Bluish grey



033  
Navy blue

# FABRIC

## UPHOLSTERY R

**RELATED PRODUCTS:** RD-911 / RD-930 / RD-965 / NIRA / RD-980

**Technical specifications:**

Composition: 100% polypropylene

Weight: 280 gr/m<sup>2</sup>

Width: 150 cm

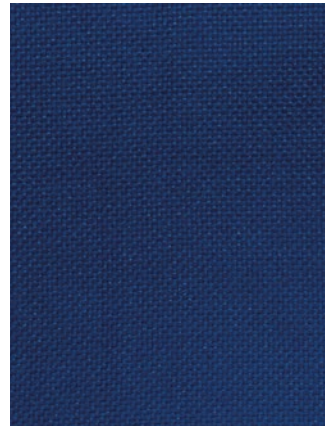
Flammability according to EN 1021 (Cigarette)



01  
Grey



02  
Burgundy red



03  
Blue



04  
Black

## UPHOLSTERY F

**RELATED PRODUCTS:** VANU / RILU / RD-933V26 / RD-937V26 / RD-934 / RD-908 / RD-907 / RD-928 / RD-990V26 / RD-938M / RD-906V23 / RD-926 / RD-927

**Technical specifications:**

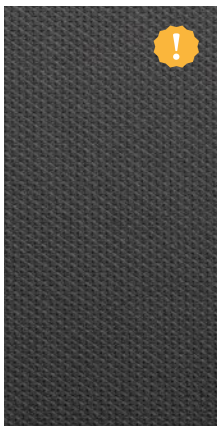
Composition: 100% polyester

Weight: 220 gr/m<sup>2</sup>

Width: 150 cm

Flammability according to EN 1021 (Cigarette)

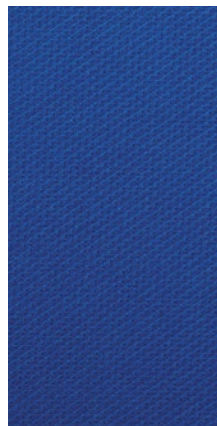
Abrasion resistance (Martindale) 60,000 cycles



01  
Grey



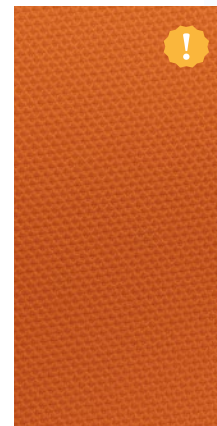
02  
Red



03  
Blue



04  
Black



05  
Orange



06  
Green

! = Finishes on request

# FABRIC

## UPHOLSTERY X

### RELATED PRODUCTS: FLEXA

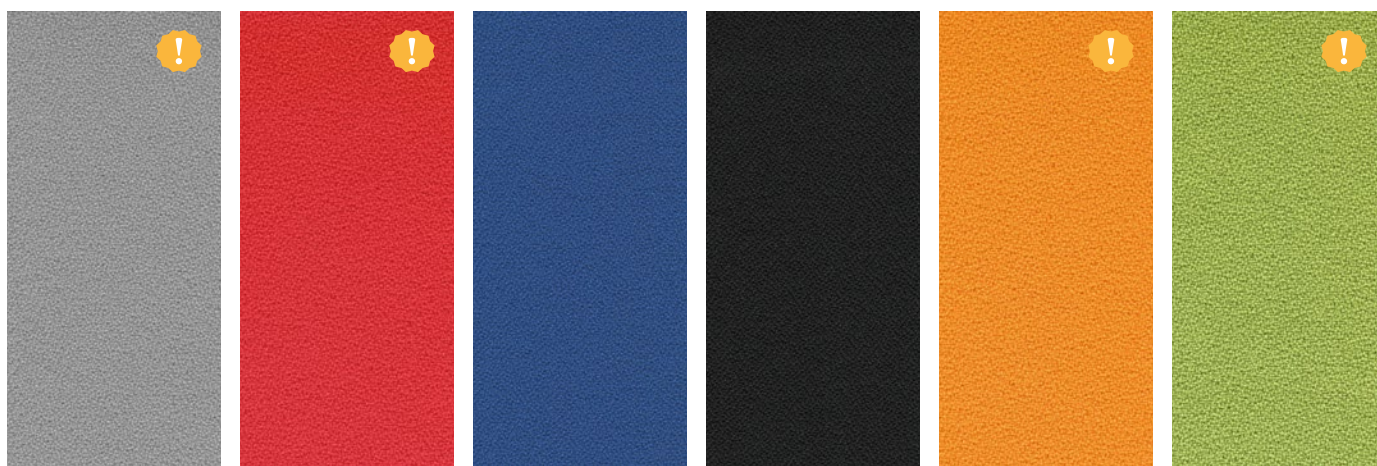
#### Technical specifications:

Composition: 100% polyester

Weight: 465 gr/m<sup>2</sup>

Width: 140 cm Flammability according to EN 1021 (Cigarette)

Abrasion resistance (Martindale) 100,000 cycles



01  
Grey

02  
Red

03  
Blue

04  
Black

05  
Orange

06  
Green

## UPHOLSTERY SF

### RELATED PRODUCTS: BE SOFT

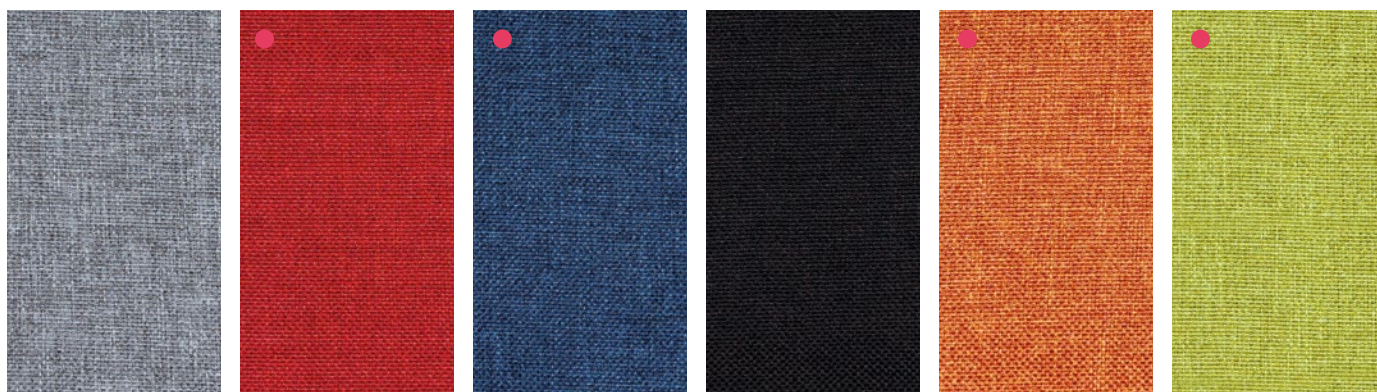
#### Technical specifications:

Composition: 100% polyester

Weight: 245 gr/m<sup>2</sup>

Width: 140 cm Flammability according to EN 1021 (Cigarette)

Abrasion resistance (Martindale) 100,000 cycles



01  
Grey

02  
Red

03  
Blue

04  
Black

05  
Orange

06  
Green

● Finishes not available in stock. Please consult Rocada for prices and delivery dates.

# PET

## PET ACOUSTIC

### RELATED PRODUCTS: FOREST / E-TABLE DIVIDERS

#### Technical specifications:

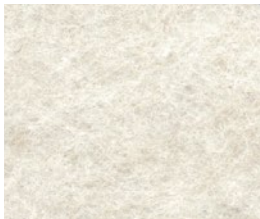
Composition: 100% polyester fiber

Density: 222 gr/m<sup>3</sup>

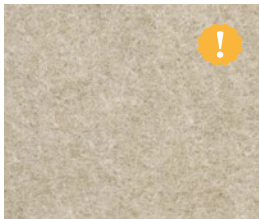
Thickness: 9 mm - various Flammability according to GB 8624 standard: type B

Formaldehyde-free emission according to GB18580 standard

Emisión libre de formaldehído según norma GB18580



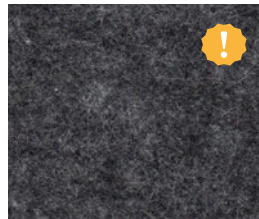
101  
Beige



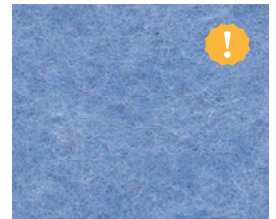
102  
Light brown



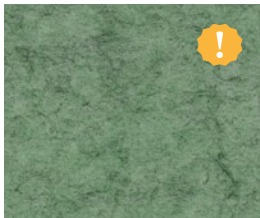
103  
Grey



106  
Black



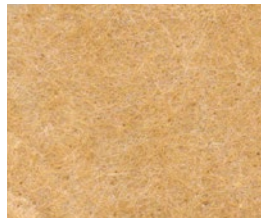
110  
Blue



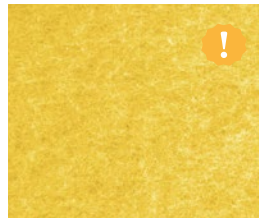
117  
Green



123  
Traffic blue



125  
Orange



129  
Yellow



403  
Lime green

## PET WOOD

### RELATED PRODUCTS: LOMA / SKIN MUTE

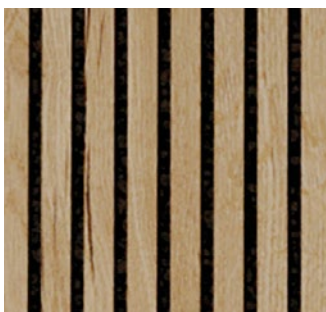
#### Technical specifications:

Composition: 100% polyester fiber

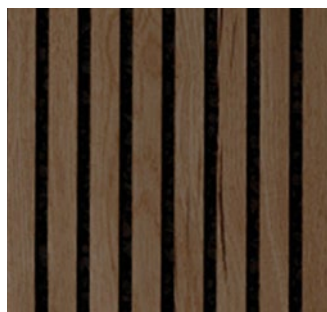
Density: 222 gr/m<sup>3</sup>

Thickness: 9 mm - various Flammability according to GB 8624: type B

Formaldehyde-free emission according to GB18580 Surface finish wood color made of PVC



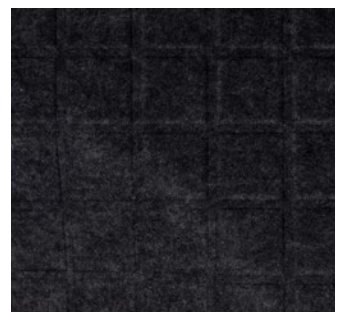
70  
Wood slats



71  
Dark wood slats



1  
Grey upholstery



4  
Black upholstery

## PET PHONON

### RELATED PRODUCTS: PHONON

#### Technical specifications:

Composition: 100% polyester fiber

Density: 222 gr/m<sup>3</sup>

Thickness: 9 mm - various Flammability according to GB 8624: type B

Formaldehyde-free emission according to GB18580

# TECHNICAL POLYMER

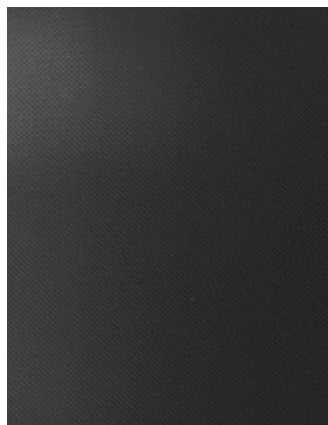
## TECHNICAL POLYMER A

RELATED PRODUCTS: ZYLA

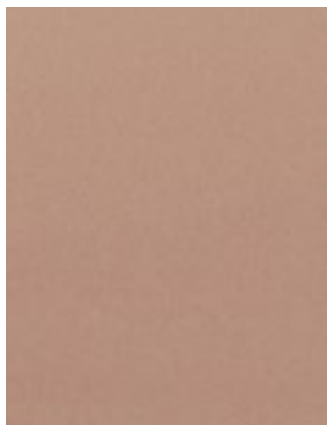
**Technical specifications:**

Structure composition: 70% polypropylene + 30% fiberglass

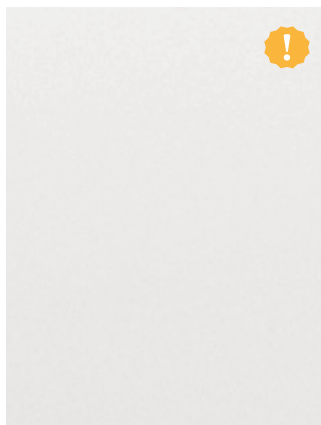
Seat and backrest composition: Polyamide



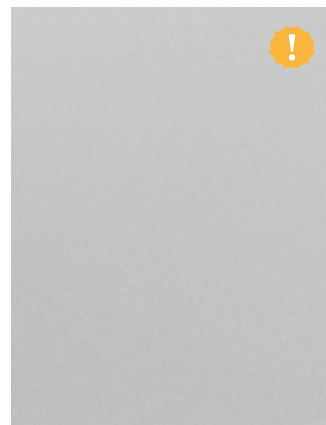
0404  
Black



1111  
Bronze



1212  
White



0101  
Light grey

## TECHNICAL POLYMER B

RELATED PRODUCTS: RD-975V15 / ERGOLINE CHAIR BASES

**Technical specifications:**

Structure composition: steel

Seat and backrest composition: Polypropylene  
(recycled materials for lower environmental impact)



01 / G  
Grey



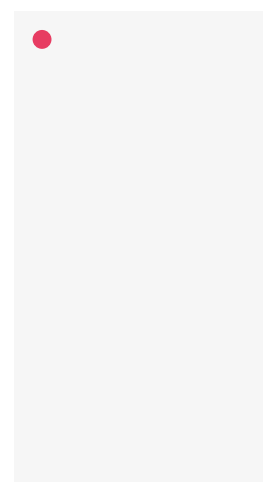
02  
Red



03  
Blue



04 / -  
Black



W  
White

● Finishes disponibles para sillas DESIGN y ERGOLINE con bases de Technical polymer.

# MALLAS / SÍMIL PIEL

## MESH S

### RELATED PRODUCTS: GLAB

#### Technical specifications:

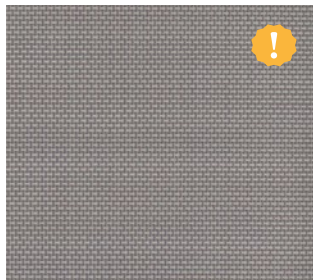
Composition: 68% polyester / 32% polyamide

Weight: 120gr/m<sup>2</sup>

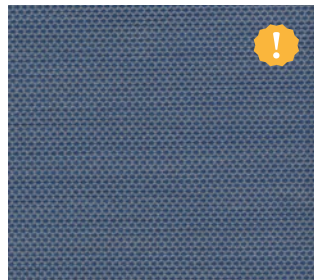
Width: 425 cm

Flammability according to EN 1021 (Cigarette)

Abrasion resistance (Martindale) 70.000 cycles



01  
Grey



02  
Blue

## MESH M

### RELATED PRODUCTS: LIRA

#### Technical specifications:

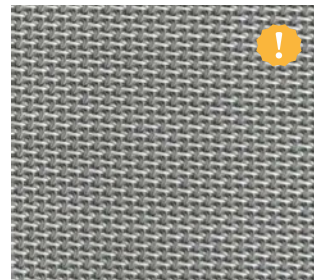
Composition: 68% polyester / 32% polyamide

Weight: 541gr/m<sup>2</sup>

Width: 170 cm

Flammability according to EN 1021 (Cigarette)

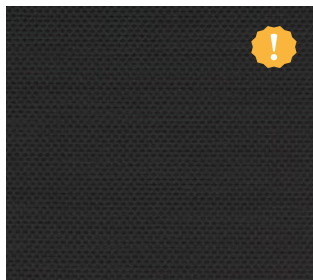
Abrasion resistance (Martindale) 70.000 cycles



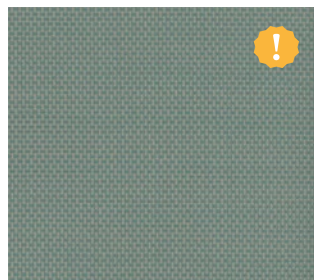
01  
Grey



04  
Black



04  
Black



06  
Green

## FAUX LEATHER

### RELATED PRODUCTS: RD-998V15 / RD-986V22 / RD-988V22 / RD-971 / RD-990V26 / RD-985V22

#### Technical specifications:

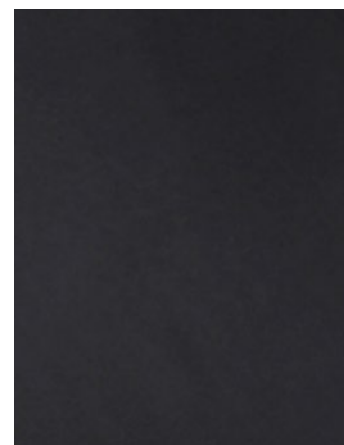
Composition: PVC synthetic leather

Weight: 650 gr/m<sup>2</sup>

Width: 140 cm

Flammability according to CA117 basic

Abrasion resistance (Martindale) 60.000 cycles



Black faux leather

## ROLLER BLIND FABRICS

### RELATED PRODUCTS: ROLL

#### Technical specifications:

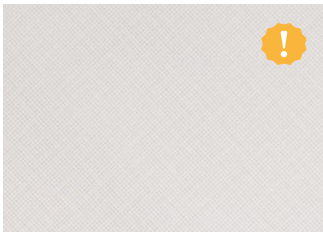
Composition: 70% polyester / 30 polyester

Weight: 410 gr/m<sup>2</sup>

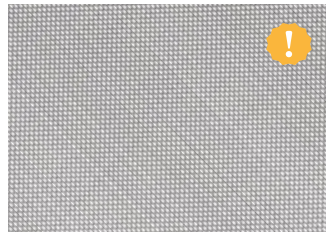
Width: 300 cm

Openness factor: 5% Fire rating M1 - CLASS 1

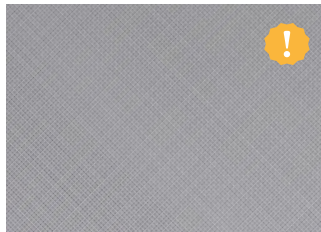
Environmental certifications OEKO-TEX100 - GREENGUARD



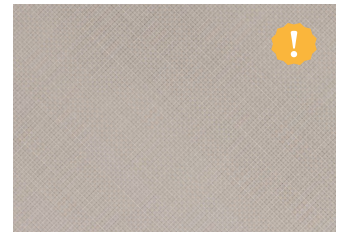
01  
White



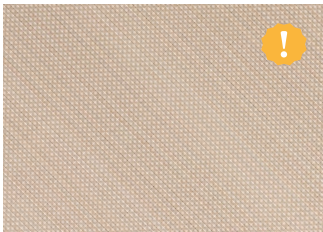
02  
Pearl white



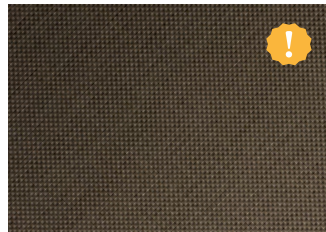
03  
Pearl



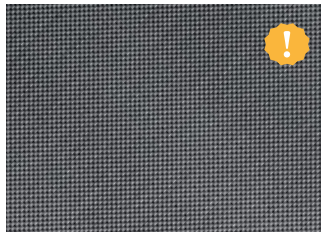
04  
Linen pearl



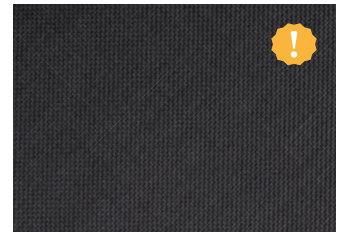
05  
Linen white



06  
Bronze anthracite



07  
Grey anthracite



08  
Anthracite

## ROLLER BLIND MECHANISMS

### RELATED PRODUCTS: ROLL

Mechanism made of technical polymer (glass fiber reinforced nylon) incorporating a reduction ratio to facilitate operation. The blind includes an extruded aluminum core and supports a maximum load of 8 kg. metal brackets with painted finish.



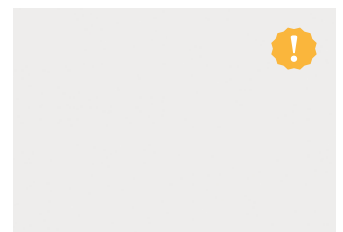
1013  
Beige



9005  
Black



9006  
Grey



9010  
White

# FINISHES VISUALLINE

## BOARD SURFACES AND RD-8100 PARTITION

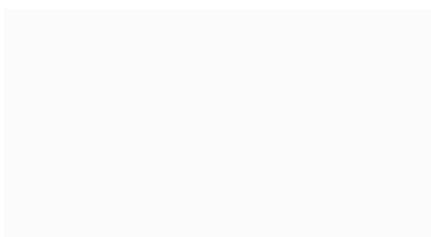
**RELATED PRODUCTS: RD-6500 / RD-6400 / RD-6505MAT / RD-6507GRCH / RD-6600 / RD-6200 / DISPLAY CASES / SKIN ACCESSORIES / RD-8100**

Vitrified surface: highly resistant and durable surface obtained by fusing ceramic enamel onto steel. It offers excellent performance for intensive writing.

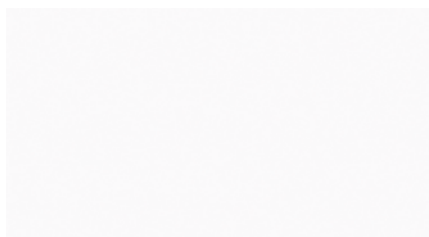
Lacquered surface: finish with polyester paint applied on a metal sheet, resistant to corrosion, UV rays and wear. Provides a smooth and stable surface.

Cork: natural cork surface adhered to a rigid backing, ideal for attaching documents with push pins.

Upholstery: Blue = 100% polyester fabric of 250 g/m<sup>2</sup> on rigid backing, and grey = 100% polyester of 160 g/m<sup>2</sup>. They provide stability and allow documents to be attached using push pins.



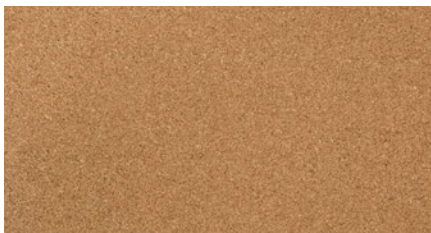
Vitrified



Lacquered



Green vitrified



Cork



Blue upholstery



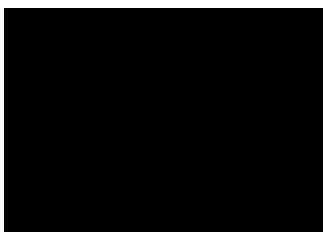
Grey upholstery

## GLASS BOARD SURFACES

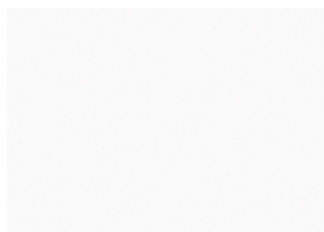
**PRODUCTOS RELACIONADOS: RD-6702 / RD-6704**

4mm tempered glass boards, ensuring maximum resistance and a lifetime warranty under normal conditions of use. The glass is painted on the back and bonded to a 0.5mm thick steel sheet providing magnetic properties.

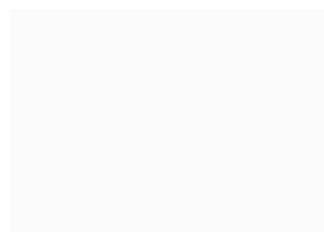
Pure white glass contains no iron particles, the component that causes the characteristic greenish tone in standard glass, thus offering a completely white and sharp finish.



15  
Black



25  
White



25P  
Pure white



35  
Grey

**rocada**design  
emotions in the workplace

**50**  
YEARS  
**rocada**  
since 1976

---

Rocada Spain  
[rocada@rocada.com](mailto:rocada@rocada.com)  
[www.rocada.com](http://www.rocada.com)

Your Partner in Switzerland  
Berec AG  
[info@berec.ch](mailto:info@berec.ch)  
[www.berec.ch](http://www.berec.ch)